



PARTS CATALOGUE

T135SE (1S71) INDONESIA



1E1S7-460E1

()

T135SE
PARTS CATALOGUE
©2005 by Yamaha Motor Co., Ltd.
1st edition, June 2005
All rights reserved.
Any reprinting or unauthorized use
without the written permission of
Yamaha Motor Co., Ltd.
is expressly prohibited.
Printed in Japan.

FOREWORD

This Parts Catalogue is related to the parts for the model(s) on the cover page. When you are ordering replacement parts, please refer to this Parts Catalogue and quote both part numbers and part names correctly.

1. Modifications or additions which have been made after the issue of the Parts Catalogue will be announced in the Parts News.

It is advisable that you make the necessary corrections to the Parts Catalogue according to the Parts News.

2. Abbreviations

The following abbreviations are used in this Parts Catalogue.

“UR” Use specified parts number.

“UN” Use as many as needed.

“AP” Alternate Parts

“LM” Locally Made (Parts need to be ordered locally)

“F#” Frame No. (Applicable machine No.)

“O/S” Over Size

3. The number of components for assembly

- Parts, which are to be supplied in an assembly, are listed with a dot (.) in front of the part name as shown below.
- The numeral appearing to the right of each component part indicates the quantity of parts for each assembly unit.

PART NO.	DESCRIPTION	Q'TY	REMARKS
2F5-83310-60	FRONT FLASHER LIGHT ASSY	2	
115-83311-60	.BULB (6V-18W)	1	

4. Applicable colours of graphics are represented in the “REMARKS” as shown below.

PART NO.	DESCRIPTION	Q'TY	REMARKS
2N4-24110-00-X5	FUEL TANK COMP.	2	MXR
3J1-24240-10	.GRAPHIC, FUEL TANK	1	FOR MXR

5. Note that the illustrations for reference in finding parts numbers are not to be used for assembling. When assembling, please use the applicable service manual.

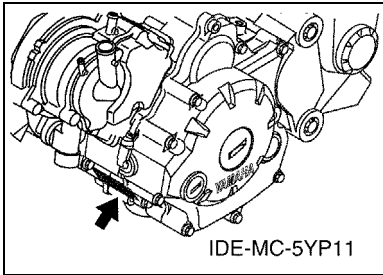
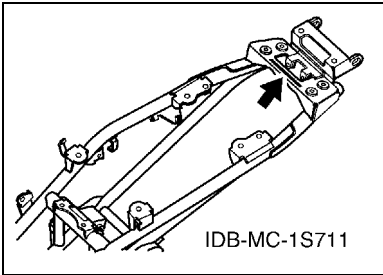
6. The asterisk (*) before a reference number indicates modified items after the first edition.

FOREWORD

7. Applicable Serial No.

Frame Serial No.

Engine Serial No.



8. Applicable Colour Code (The (*) mark shows Model colour.)

Abbreviation	Colour Name	Colour Code
DPBMC(*)	DEEP PURPLISH BLUE METALLIC C	0564
S3(*)	SILVER 3	0791
SL	SILVER	0035
VOM2(*)	VIVID ORANGE METALLIC 2	0552
VRC1(*)	VIVID RED COCKTAIL 1	0121
YB(*)	YAMAHA BLACK	0033

9. Applicable Starting Serial No.

Frame Serial No.

Serial No.	Name Of Q'ty Column	Model Code

Engine Serial No.

Serial No.	Name Of Q'ty Column	Model Code

CONTENTS

ENGINE

CYLINDER HEAD	1
CRANKSHAFT & PISTON	2
VALVE	3
CAMSHAFT & CHAIN	4
WATER PUMP	5
RADIATOR & HOSE	6
OIL PUMP	7
INTAKE	8
CARBURETOR	10
EXHAUST	12
CRANKCASE	13
CRANKCASE COVER 1	14
STARTER	15
STARTER CLUTCH	16
CLUTCH	17
TRANSMISSION	19
SHIFT CAM & FORK	21
SHIFT SHAFT	22

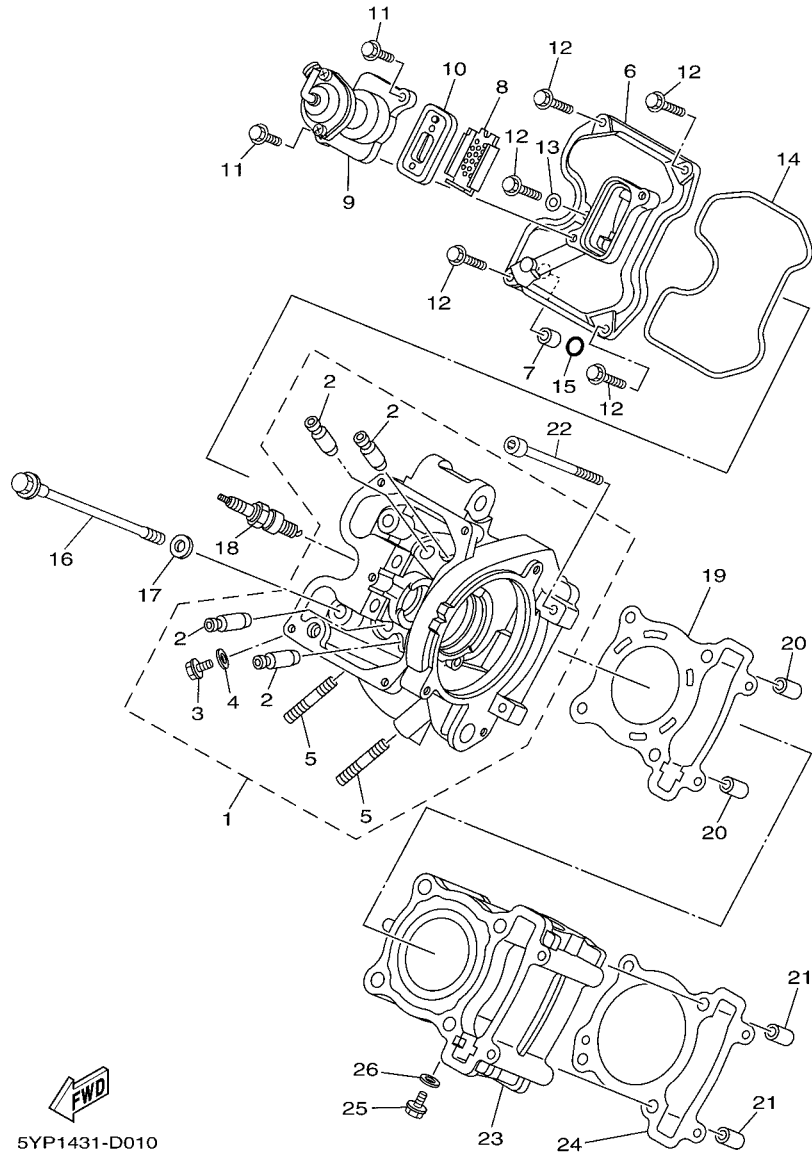
CHASSIS

FRAME	23
FENDER	24
SIDE COVER	25
REAR ARM & SUSPENSION	28
STEERING	29
FRONT FORK	30
FUEL TANK	31
SEAT	32
FRONT WHEEL	33
FRONT BRAKE CALIPER	34
REAR WHEEL	35
STEERING HANDLE & CABLE	37
FRONT MASTER CYLINDER	39
STAND & FOOTREST	40
LEG SHIELD	42
GENERATOR	45
STARTING MOTOR	46
FLASHER LIGHT	47
METER	48
HEADLIGHT	49
TAILLIGHT	50

HANDLE SWITCH & LEVER	51
ELECTRICAL 1	52
ELECTRICAL 2	53

INDEX

NUMERICAL INDEX	54
-----------------------	----




 5YP1431-D010

FIG. 1 CYLINDER HEAD

REF. NO.	PART NO.	DESCRIPTION	1S71				REMARKS
1	1S7-E1102-00	CYLINDER HEAD ASSY	1				
2	1S7-E1133-10	.GUIDE, VALVE 1	4				
3	90153-06803	.SCREW, HEXAGON	1				
4	90430-06014	.GASKET	1				
5	95617-08620	.BOLT, STUD	2				
6	1S7-E1191-00	COVER, CYLINDER HEAD 1	1				
7	91811-10005	PIN, DOWEL	1				
8	1S7-E482K-00	PLATE	1				
9	5YP-E4840-00	AIR CUT VALVE ASSY	1				
10	5YP-E4890-00	REED VALVE ASSY	1				
11	95027-06014	BOLT, FLANGE	2				
12	95027-06020	BOLT, FLANGE	5				
13	90430-06014	GASKET	1				
14	1S7-E1193-00	GASKET, HEAD COVER 1	1				
15	93210-11803	O-RING	1				
16	90105-08850	BOLT, FLANGE	4				
17	90201-08609	WASHER, PLATE	4				
18	94700-00867	PLUG, SPARK (NGK CPR8EA9)	1				UR
	94700-00870	PLUG, SPARK (DENSO U24EPR9)	1				UR
19	1S7-E1181-00	GASKET, CYLINDER HEAD 1	1				
20	99530-10114	PIN, DOWEL	2				
21	99530-10114	PIN, DOWEL	2				
22	91317-06100	BOLT	2				
23	1S7-E1311-00	CYLINDER 1	1				
24	1S7-E1351-00	GASKET, CYLINDER	1				
25	90153-06803	SCREW, HEXAGON	1				
26	90430-06014	GASKET	1				

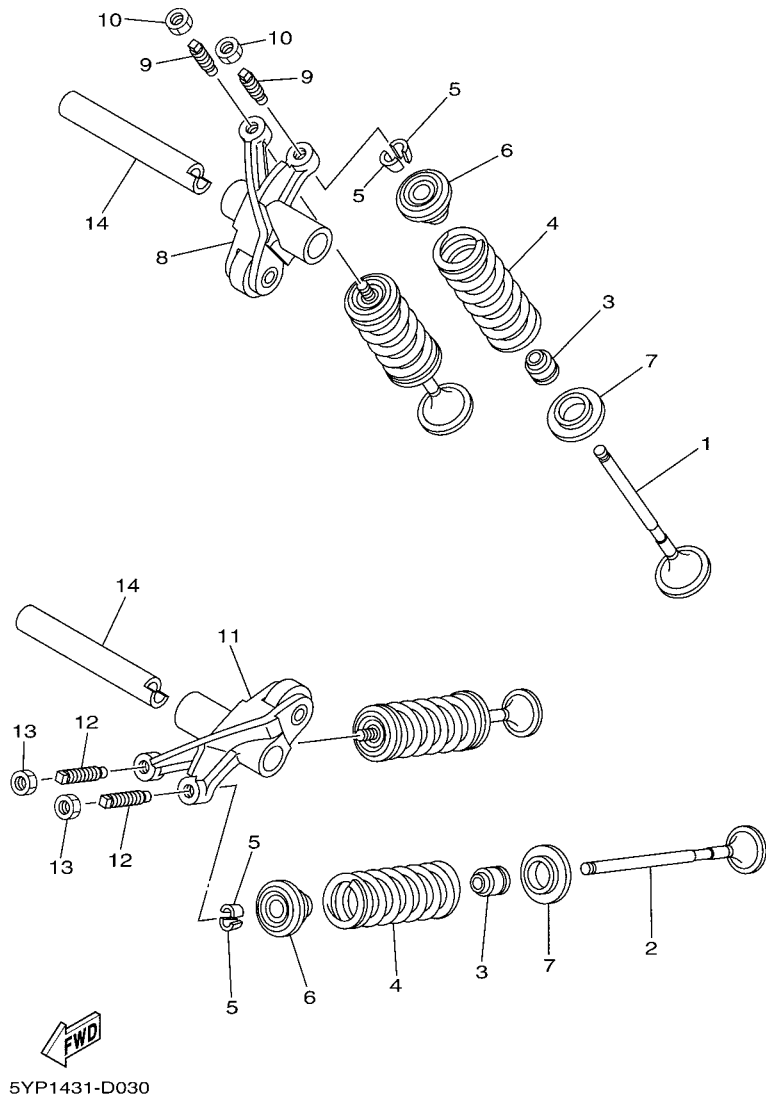
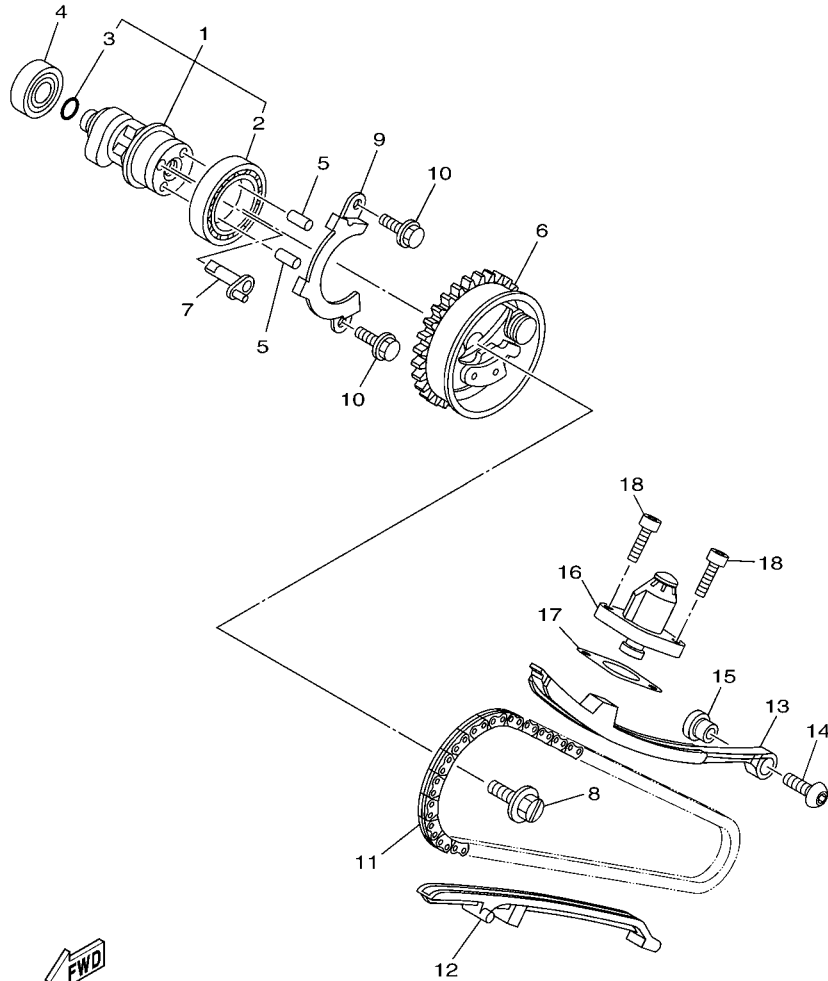


FIG. 3 VALVE

REF. NO.	PART NO.	DESCRIPTION	1S71				REMARKS
1	1S7-E2111-00	VALVE, INTAKE	2				
2	1S7-E2121-00	VALVE, EXHAUST	2				
3	1S7-E2119-00	SEAL, VALVE STEM	4				
4	5YP-E2113-00	SPRING, VALVE INNER	4				
5	1WG-12118-00	COTTER, VALVE	8				
6	5YP-12117-00	RETAINER, VALVE SPRING	4				
7	5YP-E2126-00	SEAT, VALVE SPRING 2	4				
8	1S7-E2151-00	ARM, VALVE ROCKER	1				
9	1S7-E2159-00	SCREW, VALVE ADJUSTING	2				
10	90170-05302	NUT	2				
11	1S7-E2161-00	ARM, VALVE ROCKER 2	1				
12	1S7-E2159-00	SCREW, VALVE ADJUSTING	2				
13	90170-05302	NUT	2				
14	1S7-E2156-00	SHAFT, ROCKER 2	2				

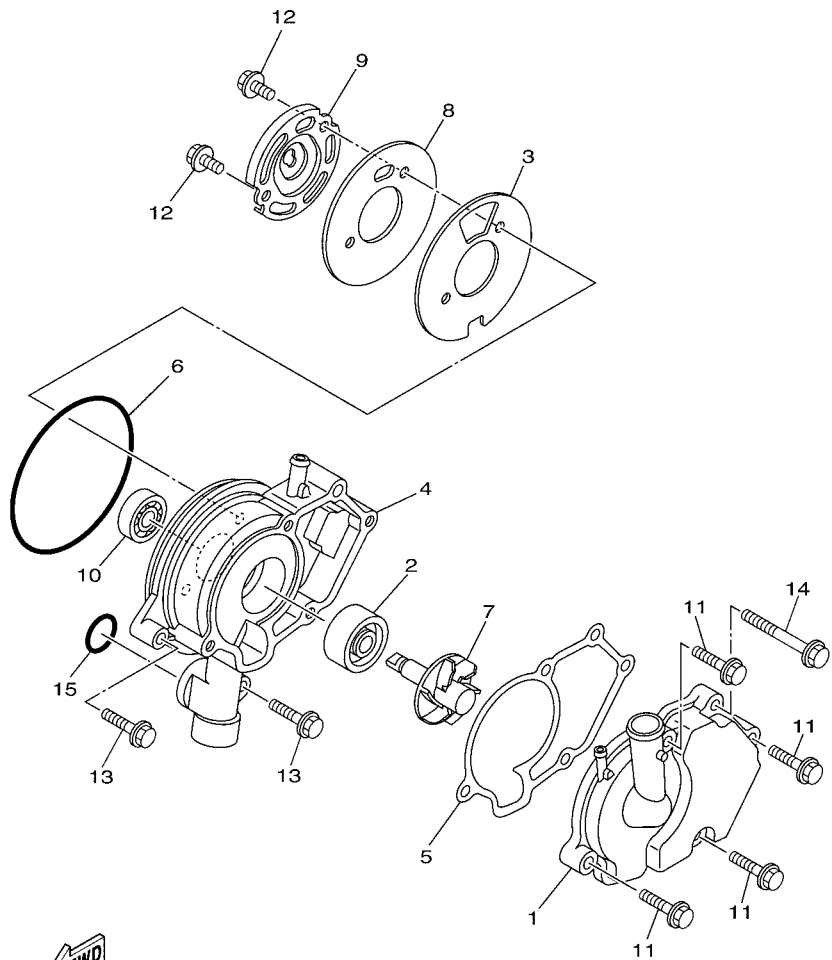



1S71460-E040

FIG. 4 CAMSHAFT & CHAIN

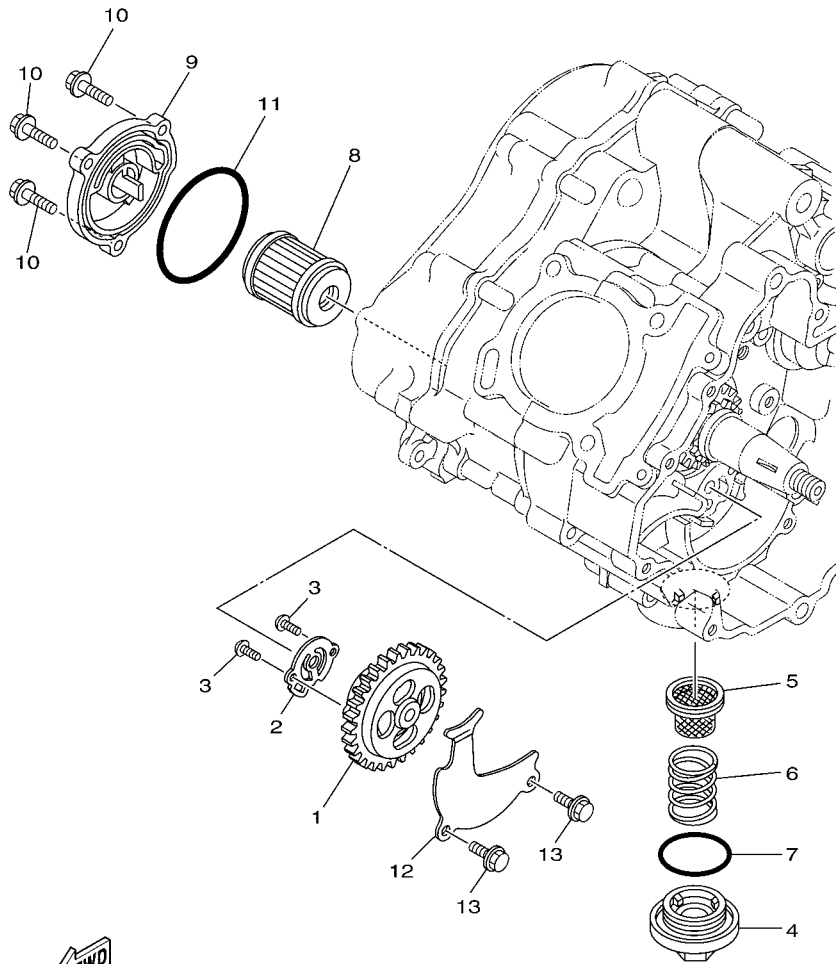
REF. NO.	PART NO.	DESCRIPTION	1S71				REMARKS
1	1S7-E2170-00	CAMSHAFT ASSY 1	1				
2	93306-906Y0	.BEARING	1				
3	93210-09806	.O-RING	1				
4	93306-001X2	BEARING	1				
5	99480-05010	PIN	2				
6	1S7-E2280-01	DECOMPRESSION ASSY	1				
7	1S7-E2288-00	CAM, DECOMPRESSION	1				
8	1S7-E2157-00	NUT, LOCK	1				
9	1S7-E111F-00	PLATE	1				
10	95027-06010	BOLT, FLANGE	2				
11	94568-A8096	CHAIN	1				
12	5YP-E2231-00	GUIDE, STOPPER 1	1				
13	5YP-E2241-00	GUIDE, STOPPER 2	1				
14	90149-06829	SCREW	1				
15	1S7-E5598-00	COLLAR	1				
16	5MX-E2210-00	TENSIONER ASSY, CAM CHAIN	1				
17	5MX-E2213-00	GASKET, TENSIONER CASE	1				
18	91317-06016	BOLT	2				

FIG. 5 WATER PUMP



FWD
5YP1431-D050

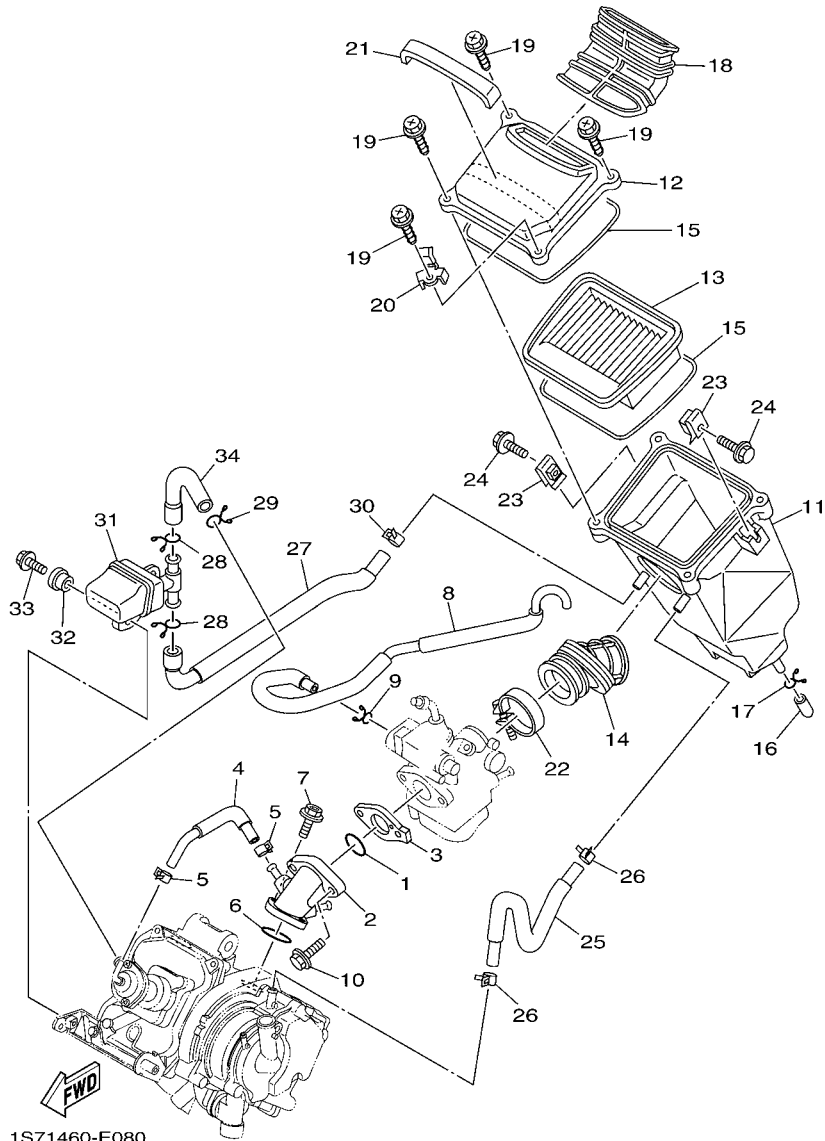
REF. NO.	PART NO.	DESCRIPTION	1S71				REMARKS
1	1S7-E2422-00	COVER, HOUSING	1				
2	93103-10801	OIL SEAL	1				
3	1S7-E2428-00	GASKET, HOUSING COVER 2	1				
4	1S7-E1185-01	COVER, CYLINDER HEAD SIDE 1	1				
5	1S7-E1196-00	GASKET, CYLINDER HEAD SIDE	1				
6	93210-84801	O-RING	1				
7	1S7-E2450-00	IMPELLER SHAFT ASSY	1				
8	1S7-E1951-00	PLATE	1				
9	1S7-E1952-01	PLATE	1				
10	93306-000Y3	BEARING	1				
11	95027-06025	BOLT, FLANGE	4				
12	95027-06012	BOLT, FLANGE	2				
13	95027-06025	BOLT, FLANGE	2				
14	95027-06050	BOLT, FLANGE	1				
15	93210-19809	O-RING	1				



5YP1431-D070

FIG. 7 OIL PUMP

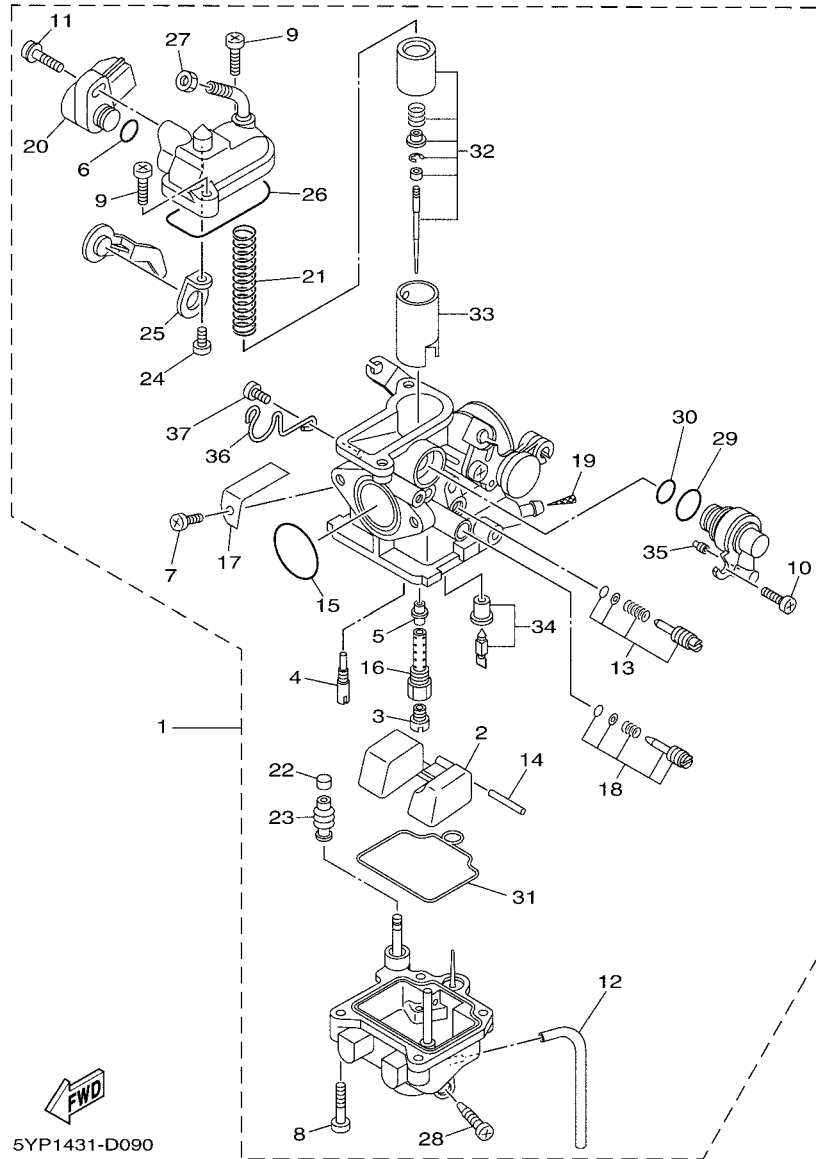
REF. NO.	PART NO.	DESCRIPTION	1S71				REMARKS
1	1S7-E3300-00	OIL PUMP ASSY	1				
2	1S7-E3329-00	GASKET, PUMP COVER	1				
3	92017-05025	BOLT, BUTTON HEAD	2				
4	1S7-E5351-00	PLUG, DRAIN	1				
5	1S7-E3411-00	STRAINER, OIL	1				
6	90501-18576	SPRING, COMPRESSION	1				
7	93210-34802	O-RING	1				
8	1S7-E3440-00	ELEMENT ASSY, OIL CLEANER	1				
9	1S7-E3447-00	COVER, OIL ELEMENT	1				
10	9502L-06020	BOLT, FLANGE	3				
11	93210-60800	O-RING	1				
12	1S7-E3327-00	COVER, PUMP GEAR	1				
13	9502L-06012	BOLT, FLANGE	2				



1S71460-E080

FIG. 8 INTAKE

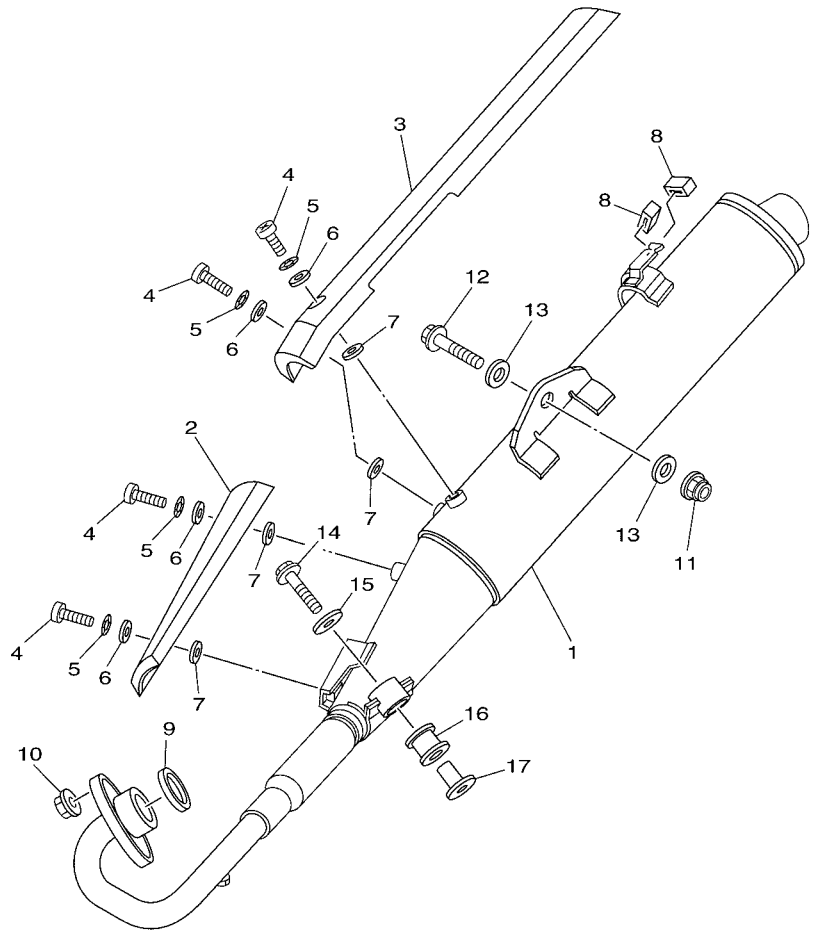
REF. NO.	PART NO.	DESCRIPTION	1S71				REMARKS
1	93210-32807	O-RING	1				
2	1S7-E3586-00	JOINT, CARBURETOR 1	1				
3	1S7-E3595-00	JOINT	1				
4	1S7-E3542-00	HOSE, VACUUM SENSING 1	1				
5	90467-08092	CLIP	2				
6	93210-32807	O-RING	1				
7	90105-06061	BOLT, FLANGE	2				
8	1S7-E4197-00	PIPE	1				
9	90467-10008	CLIP	1				
10	9502N-06020	BOLT, FLANGE	2				
11	1S7-E4411-00	CASE, AIR CLEANER 1	1				
12	1S7-E4412-00	CAP, CLEANER CASE 1	1				
13	1S7-E4450-00	ELEMENT ASSY, AIR CLEANER	1				
14	1S7-E4453-00	JOINT, AIR CLEANER 1	1				
15	1S7-E4452-00	SEAL	2				
16	5TL-E443E-00	PIPE, DRAIN	1				
17	90467-12800	CLIP	1				
18	1S7-E4437-00	DUCT	1				
19	90163-05803	SCREW, TAPPING	4				
20	90465-08805	CLAMP	1				
21	1S7-E4425-00	DAMPERS 1	1				
22	90460-46206	CLAMP, HOSE	1				
23	90183-06802	NUT, SPRING	2				
24	90119-06051	BOLT, WITH WASHER	2				
25	1S7-E1166-00	PIPE, BREATHER 1	1				
26	90467-13064	CLIP	2				
27	1S7-E4882-00	HOSE, BEND 2	1				



5YP1431-D090

FIG. 9 CARBURETOR

REF. NO.	PART NO.	DESCRIPTION	1S71				REMARKS
1	5YP-E4101-00	CARBURETOR ASSY 1	1				
2	5YP-14185-00	.FLOAT	1				
3	3G2-14231-21	.JET, MAIN (#105)	1				
4	3H1-14142-20	.JET, PILOT (# 20)	1				
5	5VL-14141-29	.NOZZLE, MAIN	1				
6	5YP-14561-00	.O-RING	1				
7	97507-04008	.BOLT, WITH WASHER	1				
8	97507-04014	.BOLT, WITH WASHER	4				
9	97507-04018	.BOLT, WITH WASHER	2				
10	4XV-24453-00	.SCREW	1				
11	5YP-14429-00	.SCREW	1				
12	5YP-14349-00	.PIPE	1				
13	5YP-14103-00	.THROTTLE SCREW SET	1				
14	127-14186-00	.PIN, FLOAT	1				
15	5YP-14147-00	.O-RING	1				
16	5YP-14145-00	.SETTER, NEEDLE JET	1				
17	5YP-14146-00	.PLATE	1				
18	5YP-14105-00	.PILOT SCREW SET	1				
19	5LW-14994-00	.NET, FILTER	1				
20	5YP-H5885-00	.THROTTLE SENSOR ASSY	1				
21	5YP-14131-00	.SPRING, THROTTLE VALVE	1				
22	22F-14174-00	.CAP, PLUNGER	1				
23	5YP-14169-10	.CAP	1				
24	5YP-14216-00	.SCREW	1				
25	5YP-14243-00	.PLATE	1				
26	5YP-14959-00	.GASKET	1				
27	522-14161-00	.NUT, CABLE ADJUSTING	1				



FWD
5YP1431-D100

FIG. 10 EXHAUST

REF. NO.	PART NO.	DESCRIPTION	1S71				REMARKS
1	1S7-E4703-00	MUFFLER COMP. 1	1				
2	1S7-E4728-00	PROTECTOR, MUFFLER 2	1				
3	1S7-E4758-00	PROTECTOR, SILENCER	1				
4	98980-06010	SCREW, BIND	4				
5	90206-06090	WASHER, WAVE	4				
6	90202-05187	WASHER, PLATE	4				
7	90202-05188	WASHER, PLATE	4				
8	1S7-E4737-00	DAMPER, MUFFLER	2				
9	1S7-E4613-00	GASKET, EXHAUST PIPE	1				
10	95707-08500	NUT, FLANGE	2				
11	95707-10500	NUT, FLANGE	1				
12	95827-10045	BOLT, FLANGE	1				
13	90201-10141	WASHER, PLATE	2				
14	95807-08035	BOLT, FLANGE	1				
15	90201-08612	WASHER, PLATE	1				
16	5TP-E4747-00	DAMPER, MUFFLER	1				
17	90387-08813	COLLAR	1				

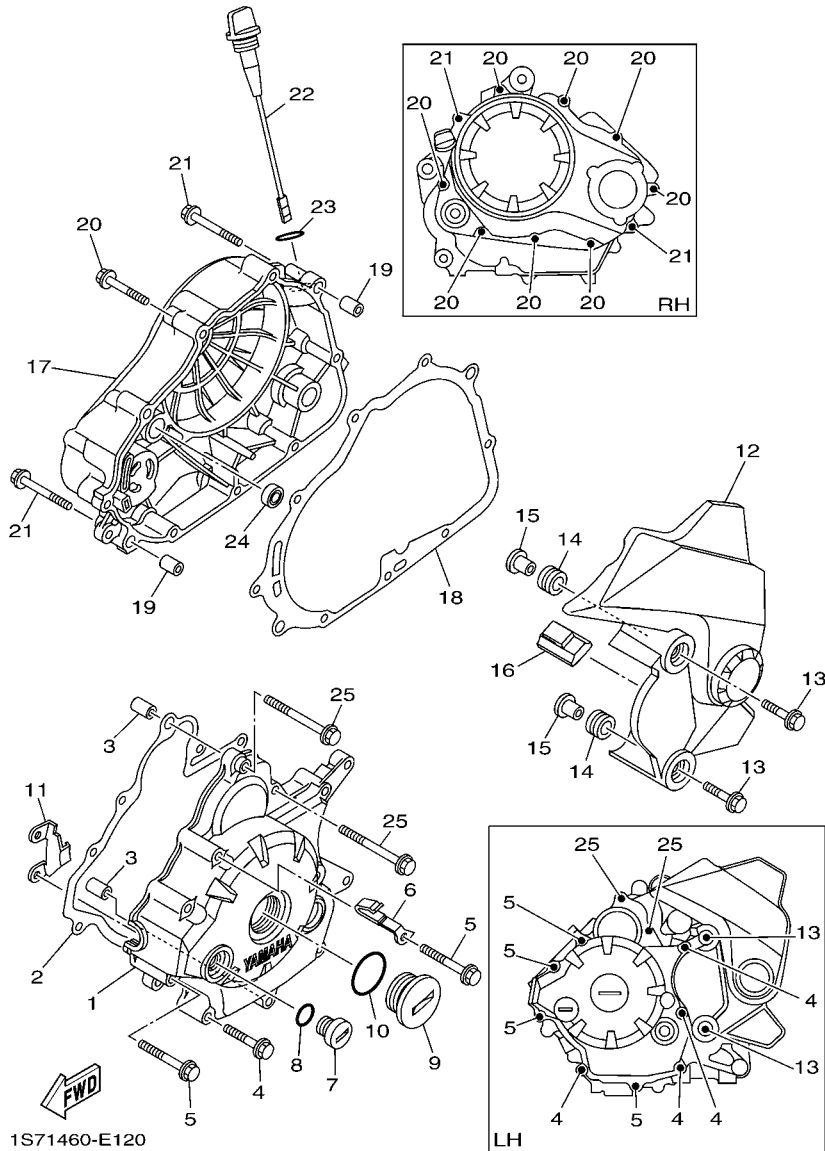


FIG. 12 CRANKCASE COVER 1

REF. NO.	PART NO.	DESCRIPTION	1S71				REMARKS
1	1S7-E5411-00	COVER, CRANKCASE 1	1				
2	1S7-E5451-00	GASKET, CRANKCASE COVER 1	1				
3	99530-10114	PIN, DOWEL	2				
4	9502L-06040	BOLT, FLANGE	4				
5	9502L-06050	BOLT, FLANGE	4				
6	90462-08805	CLAMP	1				
7	90340-14805	PLUG, STRAIGHT SCREW	1				
8	93210-148F8	O-RING	1				
9	90340-32810	PLUG, STRAIGHT SCREW	1				
10	93210-328G3	O-RING	1				
11	1S7-E5113-00	PLATE	1				
12	1S7-E5418-00	COVER, CHAIN CASE	1				
13	95807-06025	BOLT, FLANGE	2				
14	90480-13568	GROMMET	2				
15	90387-06844	COLLAR	2				
16	1S7-E5377-00	GUIDE, INLET	1				
17	1S7-E5421-00	COVER, CRANKCASE 2	1				
18	1S7-E5461-00	GASKET, CRANKCASE COVER 2	1				
19	99530-10114	PIN, DOWEL	2				
20	9502L-06040	BOLT, FLANGE	8				
21	9502L-06050	BOLT, FLANGE	2				
22	1S7-E5362-00	PLUG, OIL LEVEL	1				
23	93210-198F9	O-RING	1				
24	93101-10843	OIL SEAL	1				
25	9502L-06060	BOLT, FLANGE	2				

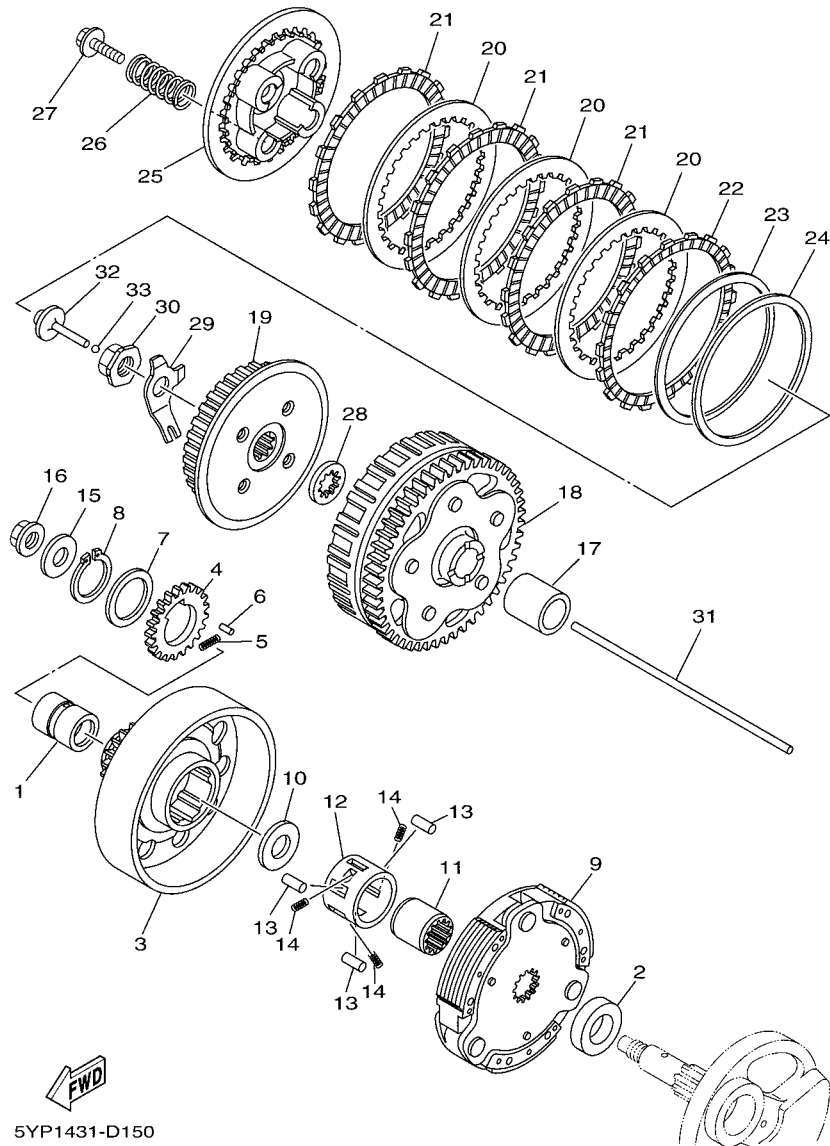


FIG. 15 CLUTCH

REF. NO.	PART NO.	DESCRIPTION	1S71				REMARKS
1	1S7-E6116-00	COLLAR 1	1				
2	1S7-E6182-00	SPACER 2	1				
3	1S7-E6611-00	CLUTCH HOUSING COMP.	1				
4	5YP-E6131-00	GEAR, PRIMARY DRIVE 2	1				
5	1S7-E6539-00	SPRING	1				
6	93602-08810	PIN, DOWEL	1				
7	1S7-E6144-00	WASHER	1				
8	99009-28400	CIRCLIP	1				
9	1S7-E6620-00	CLUTCH CARRIER ASSY	1				
10	90201-167P7	WASHER, PLATE	1				
11	1S7-E6512-00	BOSS, CLUTCH HOUSING	1				
12	5YP-E6586-00	CAGE	1				
13	5YP-E6143-00	PIN, ROLLER	3				
14	90501-04801	SPRING, COMPRESSION	3				
15	90201-12019	WASHER, PLATE	1				
16	90179-12802	NUT	1				
17	1S7-E6181-00	SPACER 1	1				
18	1S7-E6150-00	PRIMARY DRIVEN GEAR COMP.	1				
19	1S7-E6371-00	BOSS, CLUTCH	1				
20	1S7-E6324-00	PLATE, CLUTCH 1	3				
21	1S7-E6321-00	PLATE, FRICTION	3				
22	1S7-E6331-00	PLATE, FRICTION 2	1				
23	1S7-E6383-00	SPRING, CLUTCH BOSS	1				
24	1S7-E6384-00	PLATE, SEAT	1				
25	1S7-E6351-00	PLATE, PRESSURE 1	1				
26	1S7-E6333-00	SPRING, CLUTCH 1	4				
27	1S7-E6777-00	BOLT	4				

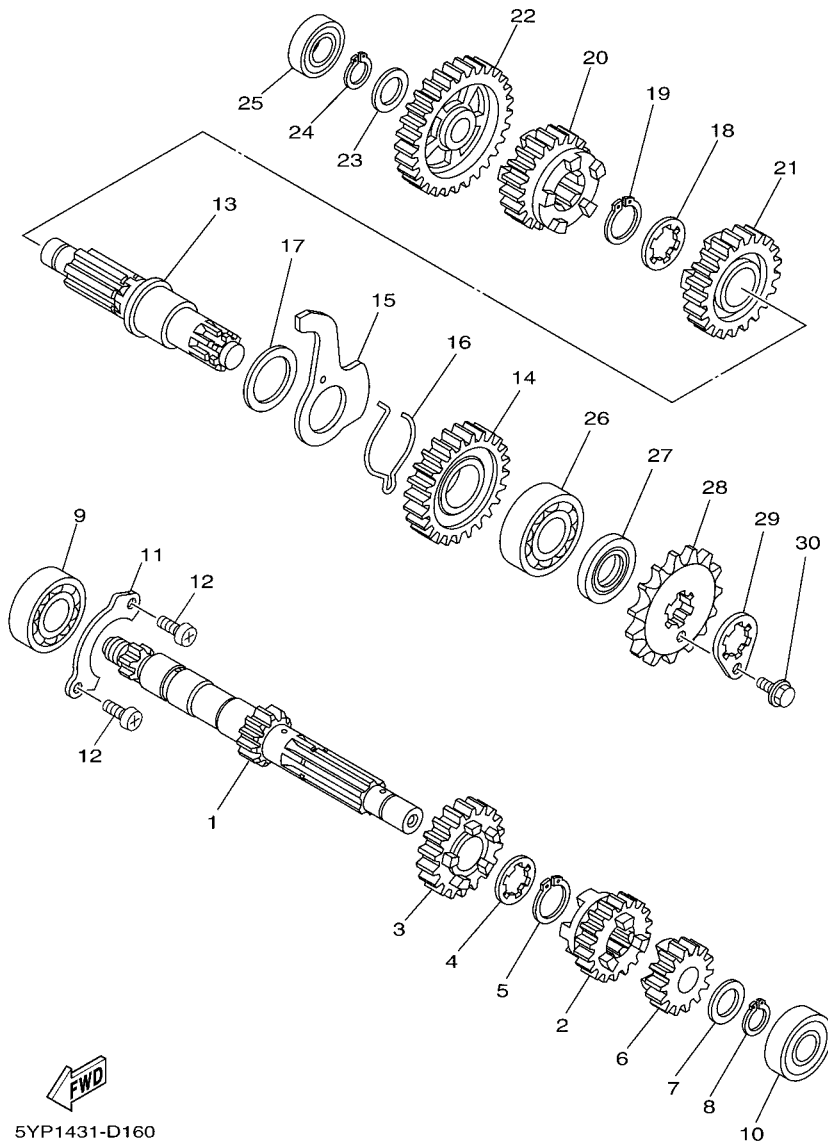
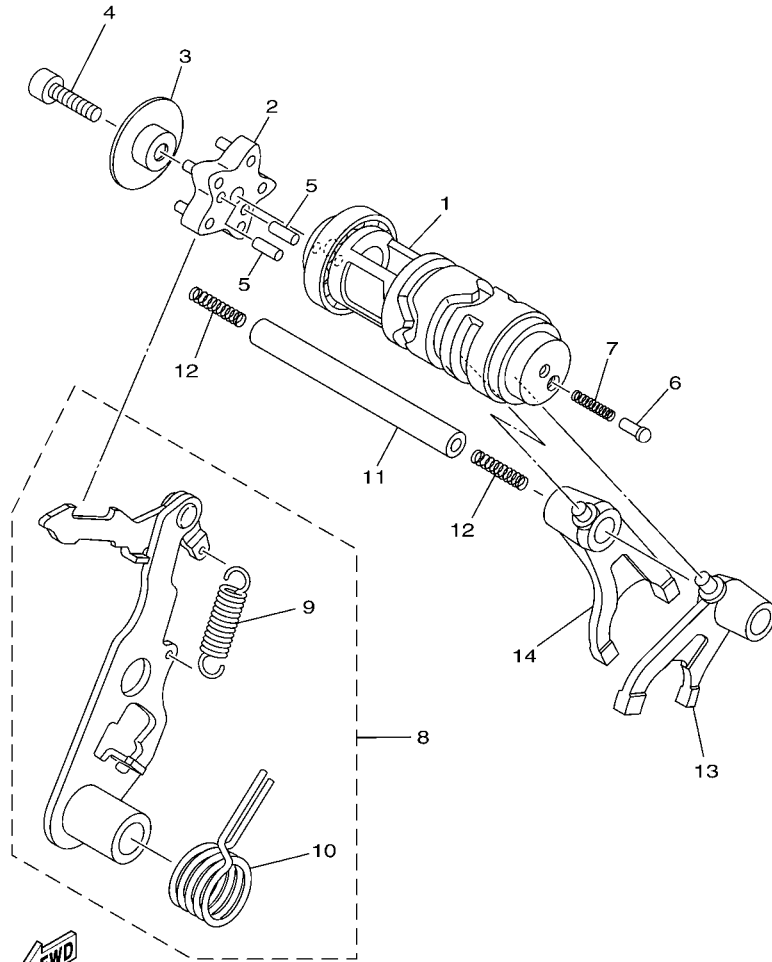


FIG. 16 TRANSMISSION

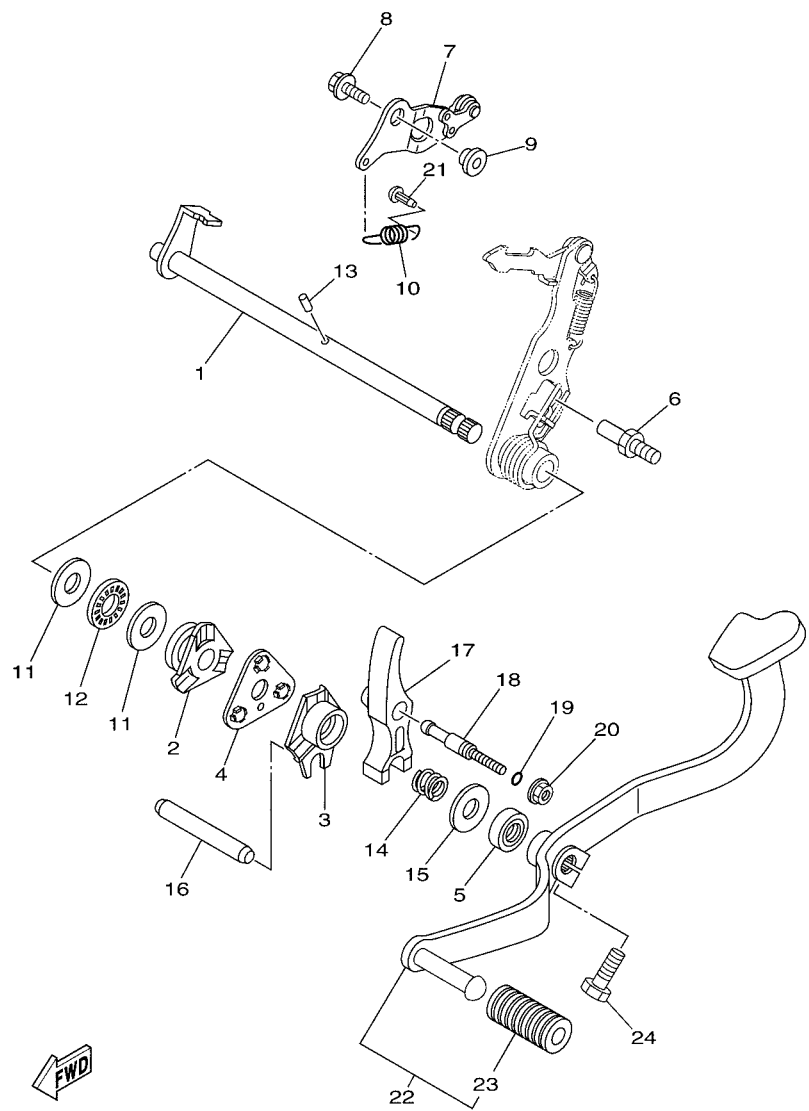
REF. NO.	PART NO.	DESCRIPTION	1S71				REMARKS
1	1S7-E7411-00	AXLE, MAIN (12T)	1				
2	1S7-E7131-00	GEAR, 3RD PINION (17T)	1				
3	1S7-E7141-00	GEAR, 4TH PINION (22T)	1				
4	90209-17285	WASHER	1				
5	93410-20038	CIRCLIP	1				
6	1S7-E7121-00	GEAR, 2ND PINION (16T)	1				
7	90201-15700	WASHER, PLATE	1				
8	99009-15400	CIRCLIP	1				
9	93306-004XR	BEARING	1				
10	93306-252X1	BEARING	1				
11	1S7-E7471-00	PLATE, COVER	1				
12	98517-06012	SCREW, PAN HEAD	2				
13	1S7-E7421-00	AXLE, DRIVE	1				
14	1S7-E7221-00	GEAR, 2ND WHEEL (30T)	1				
15	5YP-E8561-00	PLATE, SIDE 1	1				
16	5TN-E8545-00	SPRING	1				
17	90201-26008	WASHER, PLATE	1				
18	90209-18208	WASHER	1				
19	93410-22039	CIRCLIP	1				
20	1S7-E7241-00	GEAR, 4TH WHEEL (23T)	1				
21	1S7-E7231-00	GEAR, 3RD WHEEL (23T)	1				
22	1S7-E7211-00	GEAR, 1ST WHEEL (34T)	1				
23	90201-15700	WASHER, PLATE	1				
24	99009-15400	CIRCLIP	1				
25	93306-002X8	BEARING	1				
26	93306-204YL	BEARING	1				
27	93102-20892	OIL SEAL	1				



1S71460-E170

FIG. 17 SHIFT CAM & FORK

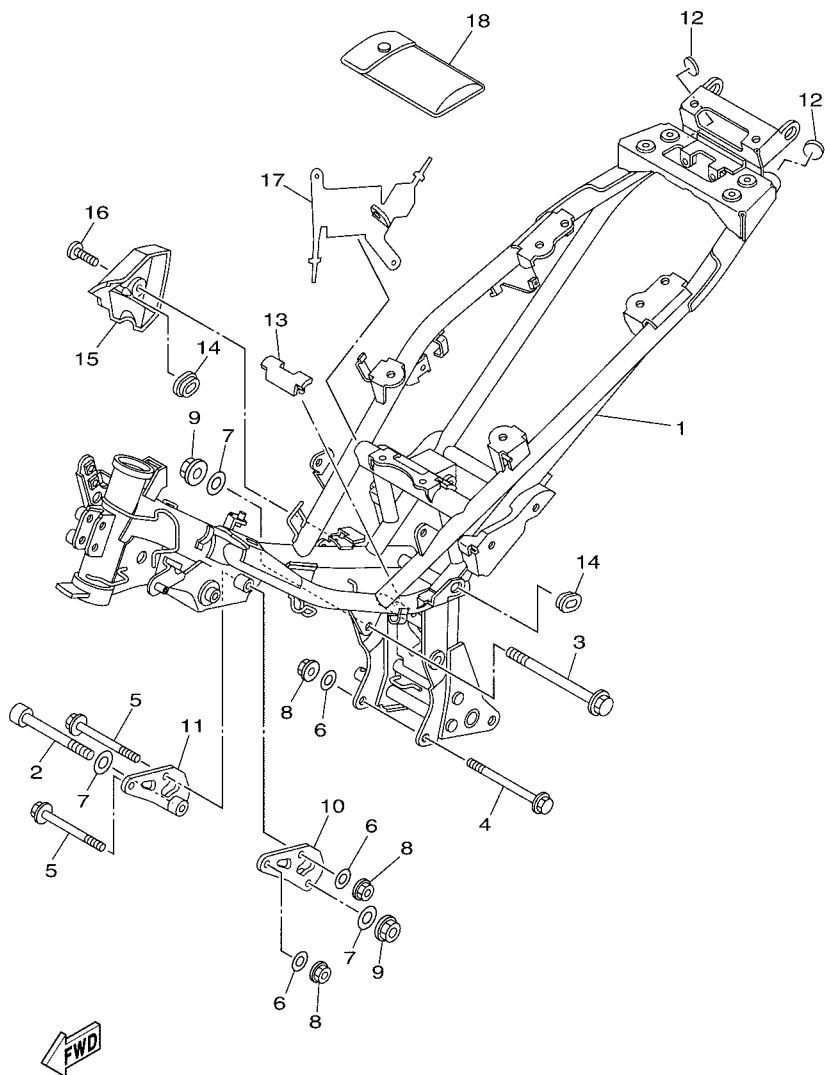
REF. NO.	PART NO.	DESCRIPTION	1S71				REMARKS
1	1S7-E8540-00	SHIFT CAM ASSY	1				
2	1S7-E8185-00	SEGMENT	1				
3	1S7-E8549-00	STOPPER	1				
4	91317-06025	BOLT	1				
5	93604-12831	PIN, DOWEL	2				
6	5TP-E8542-00	POINT, NEUTRAL	1				
7	90501-06022	SPRING, COMPRESSION	1				
8	1S7-E8120-00	SHIFT LEVER ASSY	1				
9	1S7-E8123-00	.SPRING	1				
10	90508-29007	.SPRING, TORSION	1				
11	5TP-E8531-00	BAR, SHIFT FORK GUIDE 1	1				
12	90501-06800	SPRING, COMPRESSION	2				
13	1S7-E8511-00	FORK, SHIFT 1	1				
14	1S7-E8512-00	FORK, SHIFT 2	1				



5YP1431-D180

FIG. 18 SHIFT SHAFT

REF. NO.	PART NO.	DESCRIPTION	1S71				REMARKS
1	1S7-E8101-00	SHIFT SHAFT ASSY	1				
2	1S7-E8179-00	GUIDE	1				
3	1S7-E8172-00	GUIDE, SHIFT	1				
4	1S7-E8181-00	HOLDER, PAWL	1				
5	93102-12891	OIL SEAL	1				
6	1S7-E8127-00	STOPPER, SCREW	1				
7	1S7-E8140-00	STOPPER LEVER ASSY	1				
8	95827-06014	BOLT, FLANGE	1				
9	1S7-E8175-00	SPACER	1				
10	1S7-E8337-00	SPRING	1				
11	90201-12817	WASHER, PLATE	2				
12	93340-212Y2	BEARING	1				
13	93604-10011	PIN, DOWEL	1				
14	90501-125E9	SPRING, COMPRESSION	1				
15	90201-126A7	WASHER, PLATE	1				
16	5LM-E8173-00	PIN, SHIFT	1				
17	5YP-E817A-00	ARM, SHIFT 3	1				
18	5YP-E8186-00	SCREW, ADJUSTING	1				
19	93210-068F7	O-RING	1				
20	95707-06500	NUT, FLANGE	1				
21	5HV-E6346-00	HOOK, SPRING	1				
22	1S7-E8110-00	SHIFT PEDAL ASSY	1				
23	1EG-E8113-01	.COVER, SHIFT PEDAL	1				
24	97027-08020	BOLT	1				



5YP1431-D190

FIG. 19 FRAME

REF. NO.	PART NO.	DESCRIPTION	1S71				REMARKS
1	1S7-F1110-00	FRAME COMP.	1				
2	91317-10100	BOLT	1				
3	95817-10140	BOLT, FLANGE	1				
4	90105-08864	BOLT, FLANGE	1				
5	90105-08863	BOLT, FLANGE	2				
6	90201-086P8	WASHER, PLATE	3				
7	90201-101J1	WASHER, PLATE	3				
8	90179-08674	NUT	3				
9	90179-10658	NUT	2				
10	1S7-F1315-00	STAY, ENGINE 2	1				
11	1S7-F1316-00	STAY, ENGINE 3	1				
12	1S7-F139R-00	COVER 2	2				
13	1S7-F139X-00	DAMPER	1				
14	90480-01558	GROMMET	2				
15	1S7-F117R-00-35	COVER 4	1				SL
16	90150-06021	SCREW, ROUND HEAD	1				
17	1S7-F117G-00	PROTECTOR	1				
18	1S7-F8100-00	TOOL KIT	1				

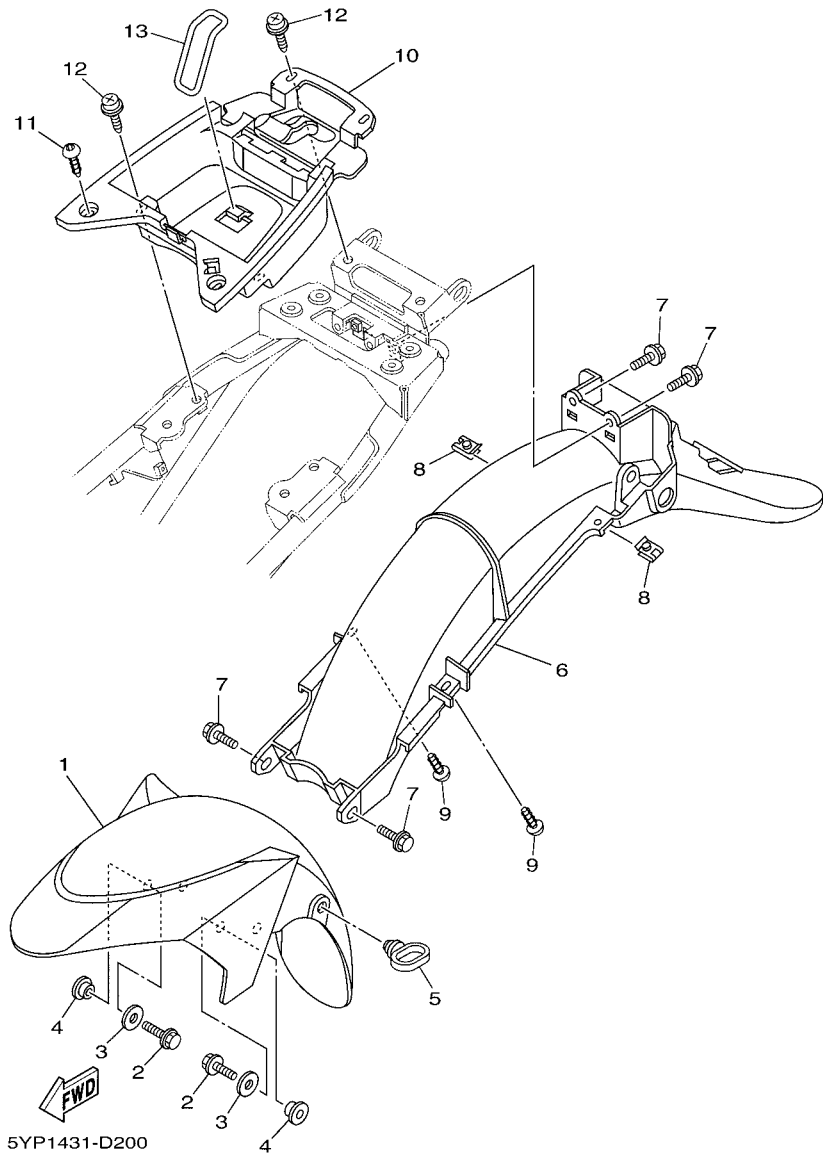


FIG. 20 FENDER

REF. NO.	PART NO.	DESCRIPTION	1S71				REMARKS
1	1S7-F1511-00-P1	FENDER, FRONT	1				UR VRC1
	1S7-F1511-00-P0	FENDER, FRONT	1				UR DPBMC
	1S7-F1511-00-33	FENDER, FRONT	1				UR YB
	1S7-F1511-00-P2	FENDER, FRONT	1				UR VOM2
	1S7-F1511-00-P3	FENDER, FRONT	1				UR S3
2	95827-06016	BOLT, FLANGE	4				
3	90201-06072	WASHER, PLATE	4				
4	90387-06804	COLLAR	4				
5	4ST-F1518-00	HOLDER, CABLE	1				
6	1S7-F1611-00	FENDER, REAR	1				
7	90119-06044	BOLT, WITH WASHER	4				
8	90183-05807	NUT, SPRING	2				
9	90160-05009	SCREW, ROUND TAPPING	2				
10	1S7-F160E-00	BOX	1				
11	90160-05009	SCREW, ROUND TAPPING	2				
12	90159-06067	SCREW, WITH WASHER	4				
13	5TL-H2131-00	BAND, BATTERY	1				

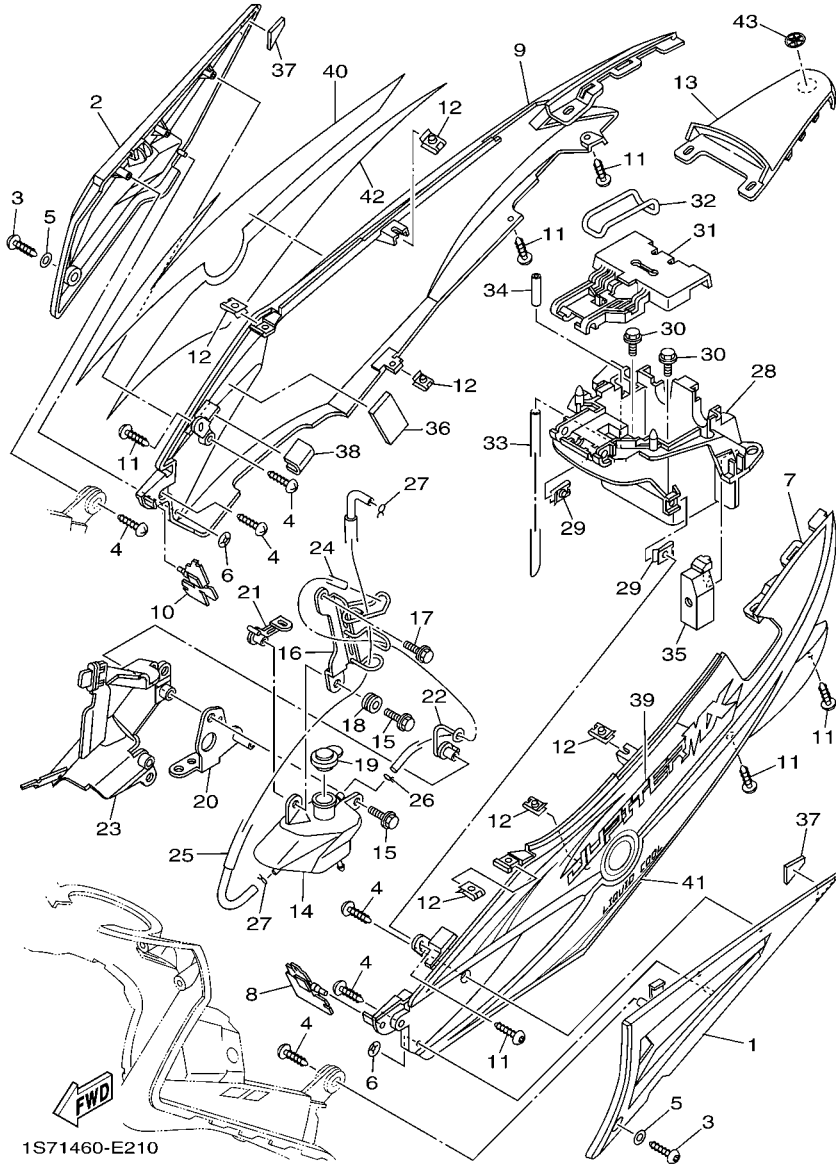


FIG. 21 SIDE COVER

REF. NO.	PART NO.	DESCRIPTION	1S71				REMARKS
1	1S7-F1711-00-P0	COVER, SIDE 1	1				S3
2	1S7-F1721-00-P0	COVER, SIDE 2	1				S3
3	90160-05009	SCREW, ROUND TAPPING	2				
4	97707-50012	SCREW, TAPPING	6				
5	90201-05725	WASHER, PLATE	2				
6	90183-04005	NUT, SPRING	2				
7	1S7-F1731-00-P0	COVER, SIDE 3	1				S3
8	1S7-F1691-00	FLAP	1				
9	1S7-F1741-00-P0	COVER, SIDE 4	1				S3
10	1S7-F177F-00	COVER	1				
11	90160-05009	SCREW, ROUND TAPPING	6				
12	90183-05807	NUT, SPRING	6				
13	1S7-F171E-00-P0	COVER, SIDE 5	1				S3
14	1S7-F1871-00	TANK, RECOVERY	1				
15	90119-06044	BOLT, WITH WASHER	2				
16	1S7-F172K-00	BRACKET 1	1				
17	95807-06020	BOLT, FLANGE	1				
18	90480-13018	GROMMET	1				
19	1S7-F1875-00	CAP	1				
20	1S7-F172L-00	BRACKET 2	1				
21	1S7-F172M-00	BRACKET 3	1				
22	1S7-F1173-00	BOSS, WIRE HOLDER	1				
23	1S7-F172W-00	COVER	1				
24	90445-09823	HOSE	1				
25	1S7-F1817-00	PIPE 2	1				
26	90467-08003	CLIP	1				
27	90467-09006	CLIP	2				

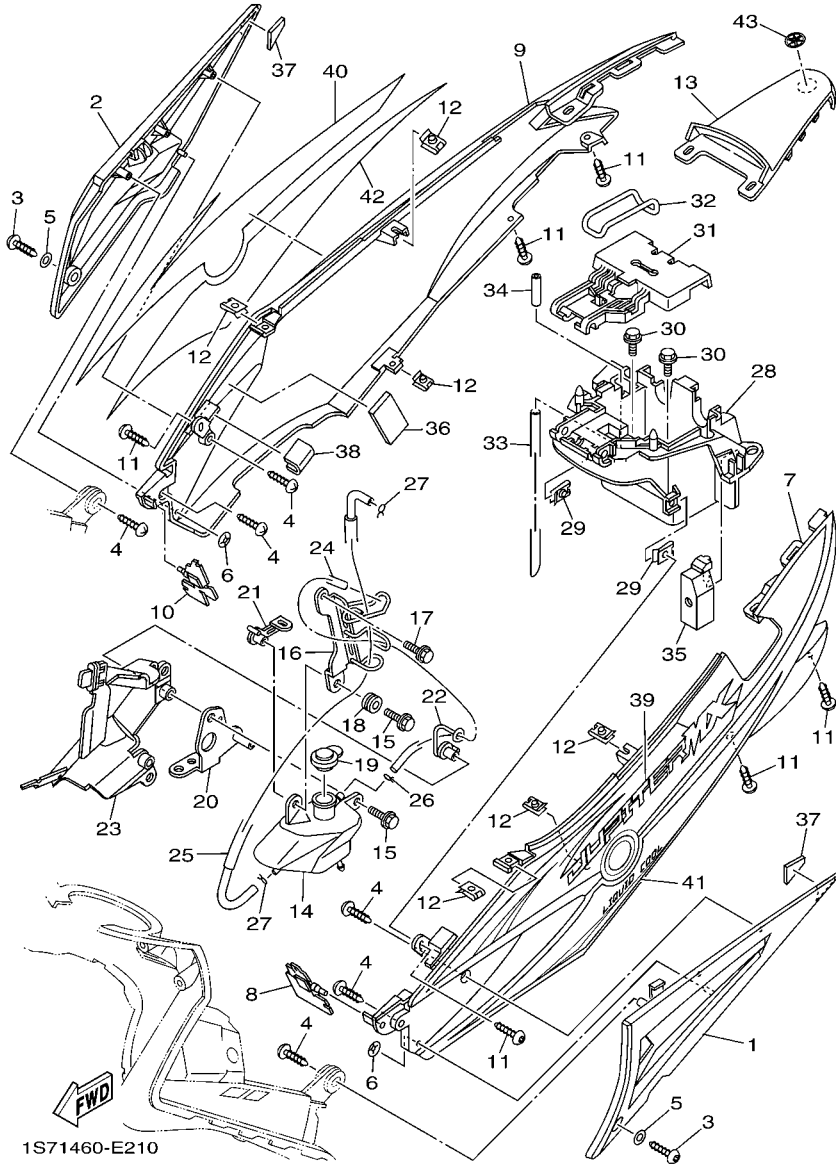


FIG. 21 SIDE COVER

REF. NO.	PART NO.	DESCRIPTION	1S71				REMARKS
28	1S7-F177G-00	BOX, BATTERY	1				
29	90183-05807	NUT, SPRING	2				
30	90119-06044	BOLT, WITH WASHER	2				
31	1S7-F124E-00	COVER, BATTERY	1				
32	5TL-H2131-00	BAND, BATTERY	1				
33	90445-08815	HOSE (L550)	1				
34	90445-08819	HOSE (L40)	1				
35	1S7-E4293-00	COVER 1	1				
36	1S7-F1746-00	DAMPER	1				
37	1S7-F1717-00	DAMPER	2				
38	1S7-F1747-00	DAMPER	1				
39	1S7-F173E-00	GRAPHIC 1	1				UR FOR VRC1
	1S7-F173E-10	GRAPHIC 1	1				UR FOR DPBMC,S3
	1S7-F173E-20	GRAPHIC 1	1				UR FOR YB
	1S7-F173E-30	GRAPHIC 1	1				UR FOR VOM2
40	1S7-F173F-00	GRAPHIC 2	1				UR FOR VRC1
	1S7-F173F-10	GRAPHIC 2	1				UR FOR DPBMC,S3
	1S7-F173F-20	GRAPHIC 2	1				UR FOR YB
	1S7-F173F-30	GRAPHIC 2	1				UR FOR VOM2
41	1S7-F174G-00	GRAPHIC 3	1				UR FOR VRC1
	1S7-F174G-10	GRAPHIC 3	1				UR FOR DPBMC,S3
	1S7-F174G-20	GRAPHIC 3	1				UR FOR YB
	1S7-F174G-30	GRAPHIC 3	1				UR FOR VOM2
42	1S7-F174H-00	GRAPHIC 4	1				UR FOR VRC1
	1S7-F174H-10	GRAPHIC 4	1				UR FOR DPBMC,S3
	1S7-F174H-20	GRAPHIC 4	1				UR FOR YB
	1S7-F174H-30	GRAPHIC 4	1				UR FOR VOM2

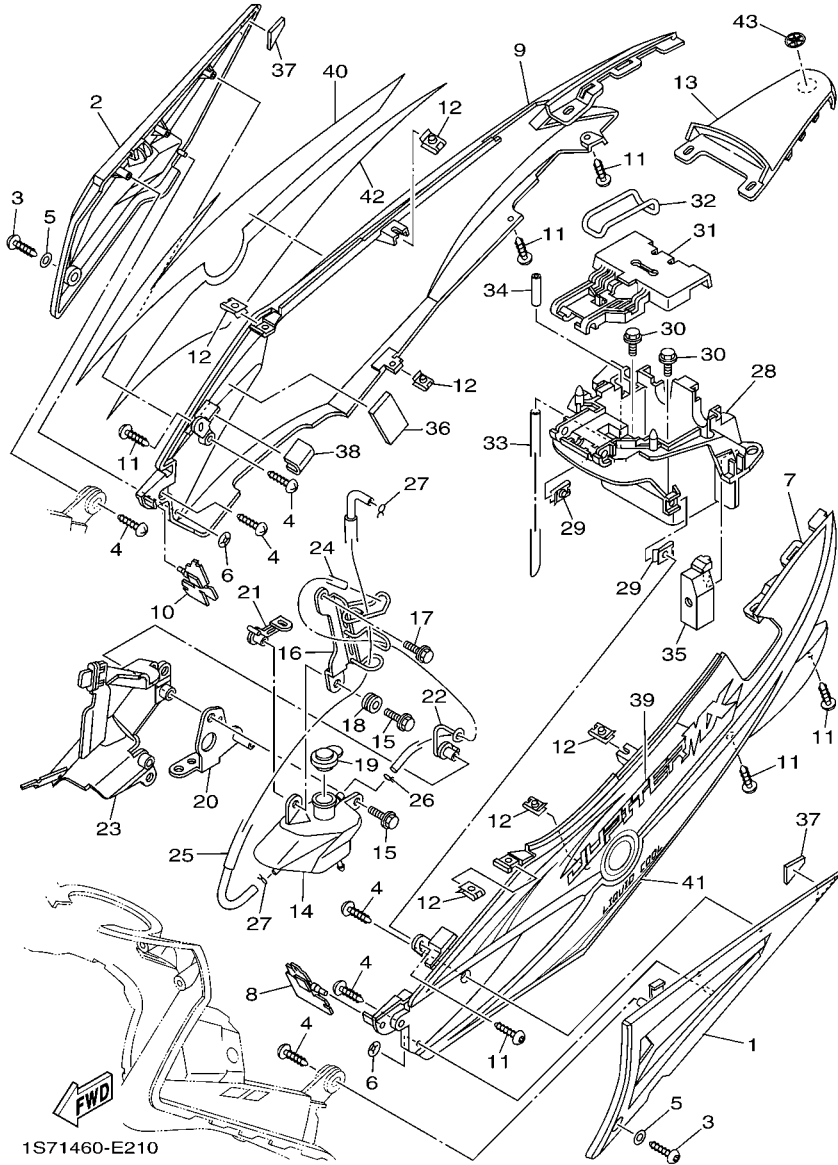
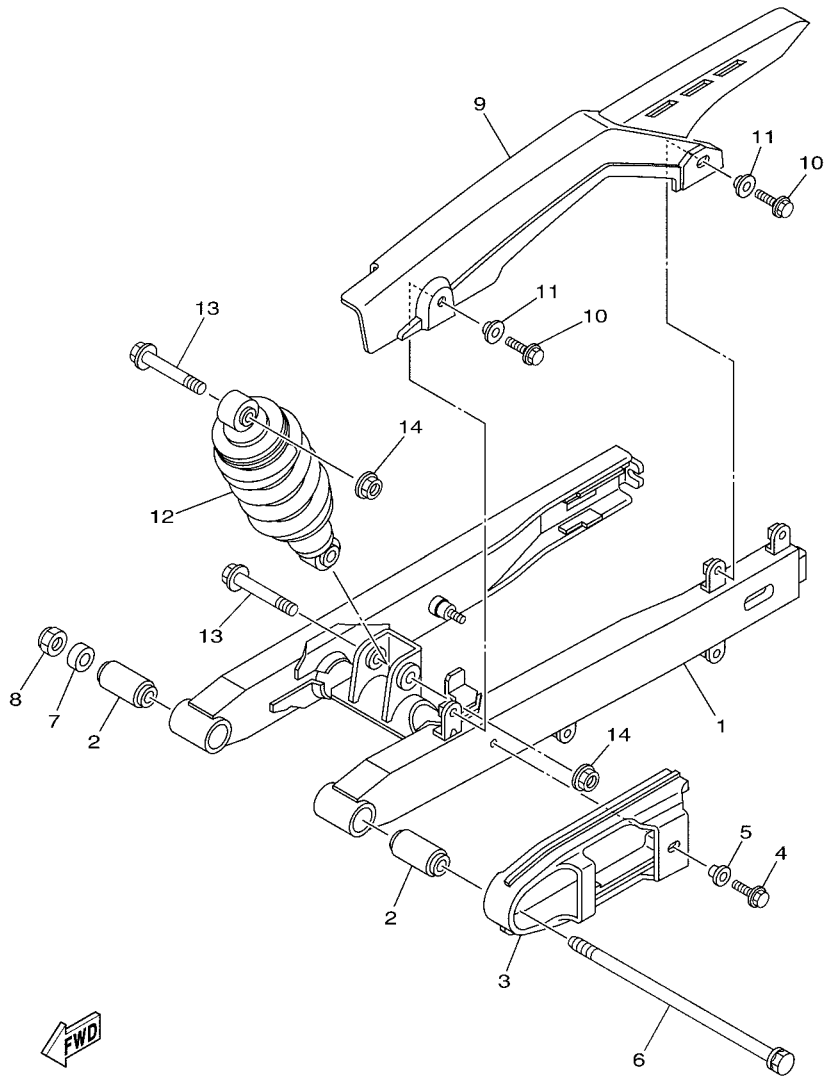


FIG. 21 SIDE COVER

REF. NO.	PART NO.	DESCRIPTION	1S71				REMARKS
43	1S7-F1737-00	EMBLEM	1				



5YP1431-D220

FIG. 22 REAR ARM & SUSPENSION

REF. NO.	PART NO.	DESCRIPTION	1S71				REMARKS
1	1S7-F2110-00	REAR ARM COMP.	1				
2	3HB-F2123-00	BUSH 1	2				
3	1S7-F2151-00	SEAL, GUARD	1				
4	95807-06012	BOLT, FLANGE	1				
5	90387-06681	COLLAR	1				
6	1S7-F2141-00	SHAFT, PIVOT	1				
7	90201-12023	WASHER, PLATE	1				
8	95614-12100	NUT, U	1				
9	1S7-F2311-00	CASE, CHAIN	1				
10	95827-06014	BOLT, FLANGE	2				
11	90387-09803	COLLAR	2				
12	1S7-F2210-00	SHOCK ABSORBER ASSY, REAR	1				
13	90105-10323	BOLT, FLANGE	2				
14	95607-10200	NUT, U FLANGE	2				

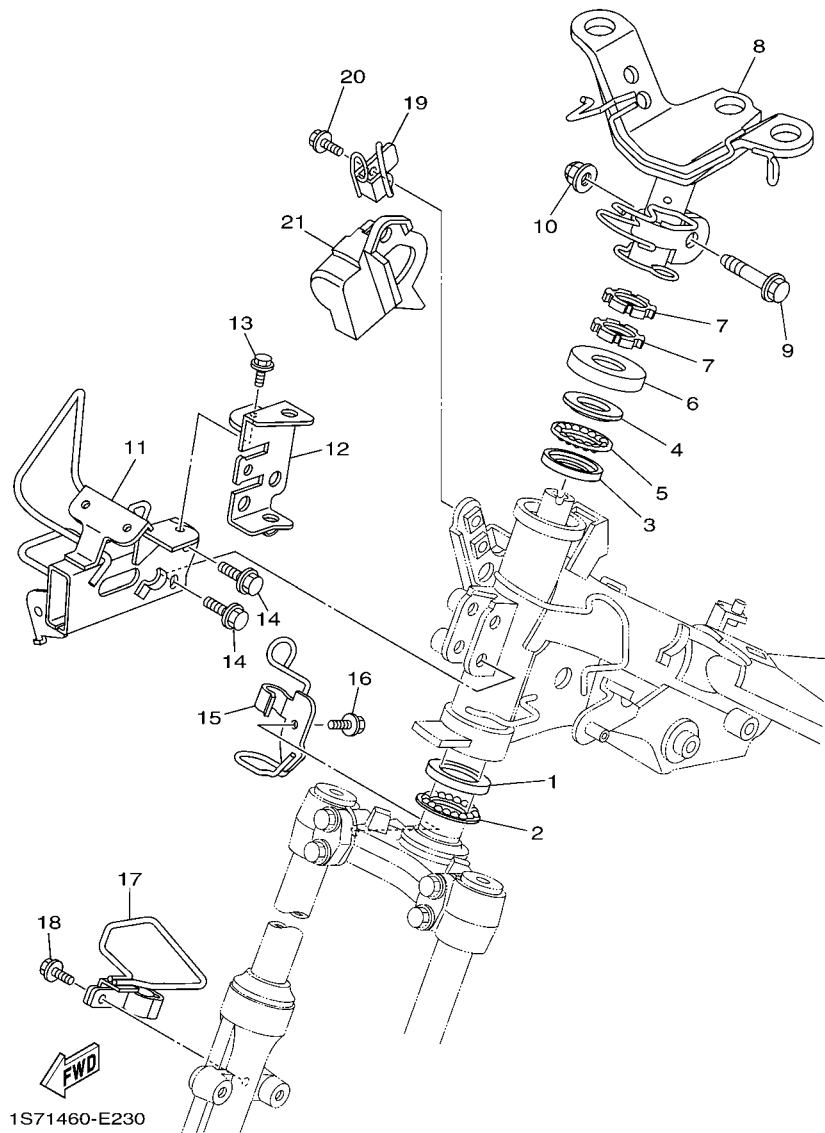
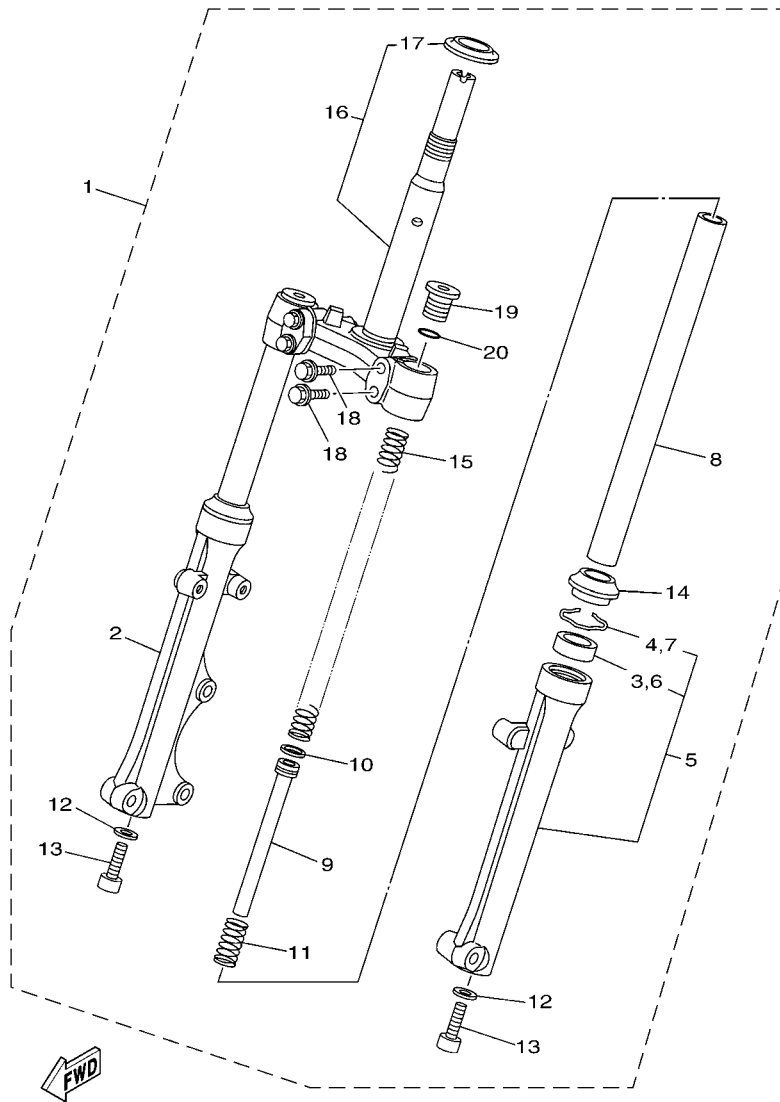


FIG. 23 STEERING

REF. NO.	PART NO.	DESCRIPTION	1S71				REMARKS
1	156-F3412-00	RACE, BALL 2	1				
2	5TL-2341E-00	RETAINER, BALL BEARING	1				
3	22F-F3412-00	RACE, BALL 2	1				
4	22F-F3411-00	RACE, BALL 1	1				
5	5TL-2341E-10	RETAINER, BALL BEARING	1				
6	5TL-F3416-00	COVER, BALL RACE 2	1				
7	90179-25033	NUT	2				
8	1S7-F3461-00	BRACKET, HANDLE	1				
9	90105-10036	BOLT, FLANGE	1				
10	90185-10808	NUT, SELF-LOCKING	1				
11	1S7-F331A-00	STAY	1				
12	1S7-F8366-00	BRACKET	1				
13	95807-06012	BOLT, FLANGE	1				
14	95827-08030	BOLT, FLANGE	2				
15	1S7-F5875-00	HOLDER, BRAKE HOSE 1	1				
16	95807-06012	BOLT, FLANGE	1				
17	1S7-F5876-00	HOLDER, BRAKE HOSE 2	1				
18	95807-06012	BOLT, FLANGE	1				
19	1S7-F587A-00	HOLDER, BRAKE HOSE	1				
20	95807-06012	BOLT, FLANGE	1				
21	1S7-F3472-00	PROTECTOR	1				



1S71460-E240

FIG. 24 FRONT FORK

REF. NO.	PART NO.	DESCRIPTION	1S71				REMARKS
1	1S7-F3100-00	FRONT FORK ASSY	1				
2	1S7-F3136-00-35	.TUBE, OUTER (RIGHT)	1				
3	4XC-F3145-00	..OIL SEAL	1				
4	1T8-F3156-00	..CLIP, OIL SEAL	1				
5	1S7-F3126-00-35	.TUBE, OUTER (LEFT)	1				
6	4XC-F3145-00	..OIL SEAL	1				
7	1T8-F3156-00	..CLIP, OIL SEAL	1				
8	5YP-F3110-00	.INNER TUBE COMP.1	2				
9	5YP-F3170-00	.CYLINDER COMP., FRONT FORK	2				
10	2JG-F3157-00	.RING, PISTON	2				
11	5NM-F3152-00	.SPRING, SUB	2				
12	509-F3158-L0	.GASKET	2				
13	278-F3181-50	.BOLT, HEXAGON SOCKET HEAD	2				
14	4XC-F3144-00	.SEAL, DUST	2				
15	5YP-F3141-00	.SPRING, FRONT FORK	2				
16	1S7-F3340-00	.UNDER BRACKET COMP.	1				
17	18G-23411-00	..RACE, BALL 1	1				
18	5YW-F3346-00	.BOLT 1	4				
19	4VK-F3111-10	.BOLT, CAP	2				
20	2JG-F3147-00	.O-RING	2				

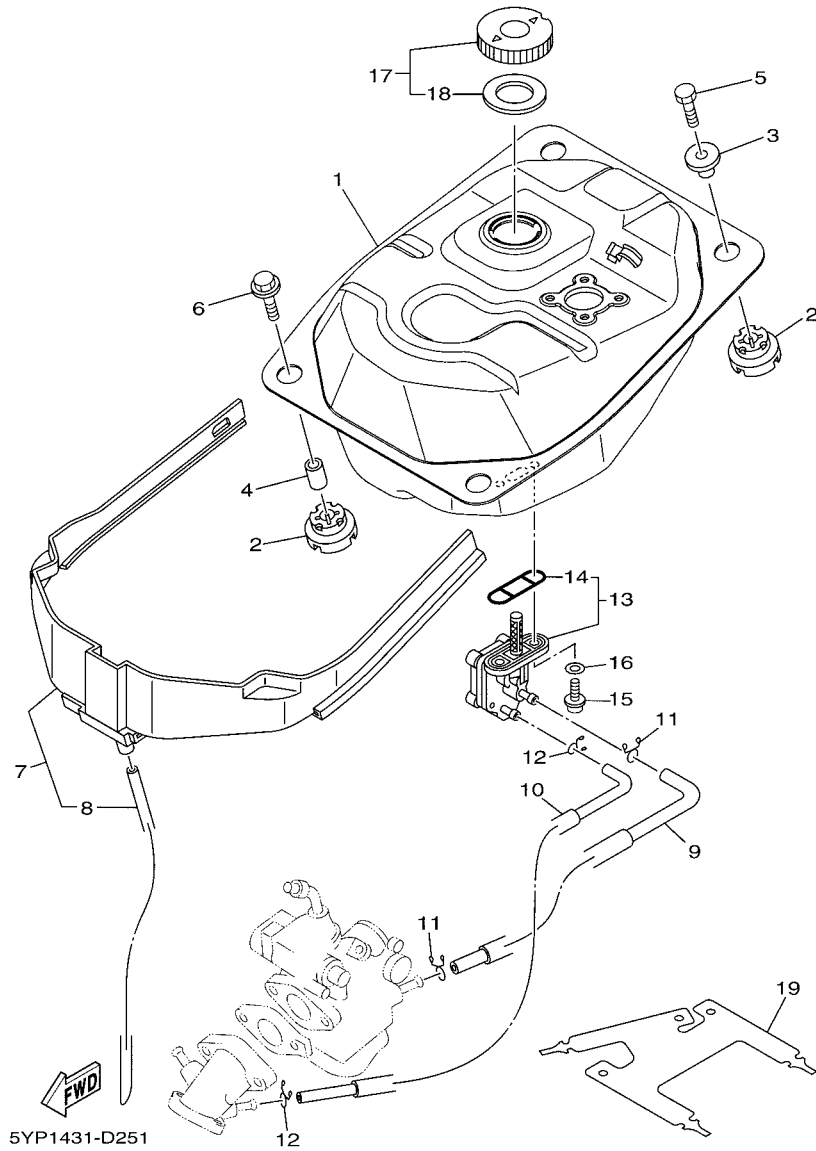


FIG. 25 FUEL TANK

REF. NO.	PART NO.	DESCRIPTION	1S71				REMARKS
1	1S7-F4110-00	FUEL TANK COMP.	1				
2	1S7-F4339-00	GROMMET	4				
3	1S7-F4638-00	COLLAR	2				
4	1S7-F4397-00	COLLAR	2				
5	97007-06025	BOLT	2				
6	90119-06190	BOLT, WITH WASHER	2				
7	1S7-F4141-00	PROTECTOR, FUEL TANK	1				
8	90445-07812	.HOSE	1				
9	1S7-F4311-00	PIPE, FUEL 1	1				
10	1S7-F4312-00	PIPE 2	1				
11	90467-09006	CLIP	2				
12	90467-08075	CLIP	2				
13	5YP-F4500-00	FUEL COCK ASSY 1	1				
14	4X8-24512-00	.O-RING	1				
15	90149-06011	SCREW	2				
16	90202-05193	WASHER, PLATE	2				
17	4YY-F4610-00	CAP ASSY	1				
18	4YY-F4612-00	.GASKET, CAP	1				
19	1S7-F1521-00	FLAP, FRONT FENDER	1				

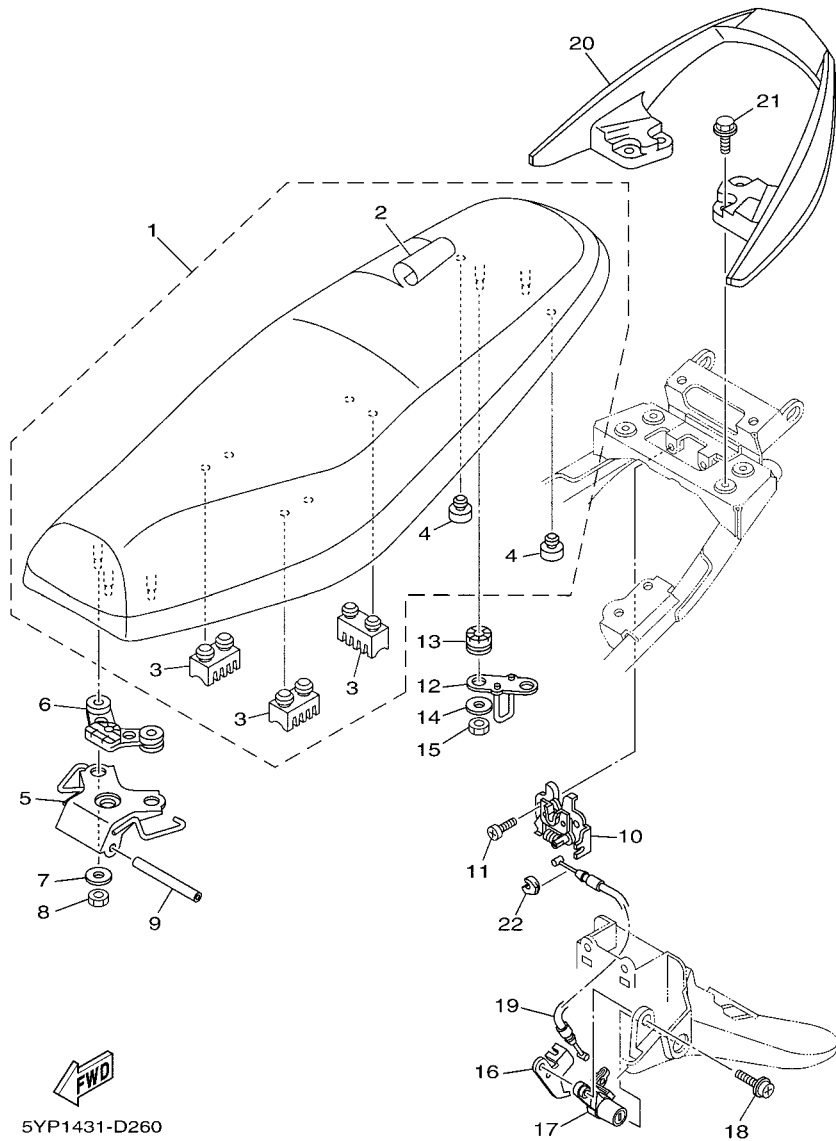
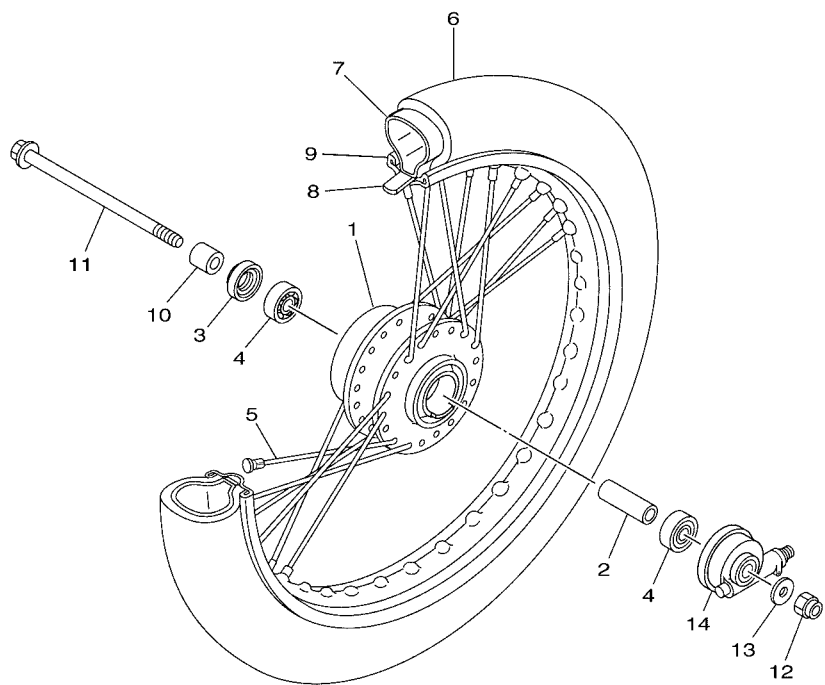


FIG. 26 SEAT

REF. NO.	PART NO.	DESCRIPTION	1S71				REMARKS
1	1S7-F4730-00	DOUBLE SEAT ASSY	1				
2	1S7-F470F-00	.SEAT COVER COMP.	1				
3	5TP-F4723-00	.DAMPER, SEAT	3				
4	5BP-F4741-00	.PAD, SEAT	2				
5	1S7-F4726-00	HINGE, SEAT	1				
6	1S7-F4742-00	GROMMET	1				
7	90201-060A3	WASHER, PLATE	3				
8	95307-06600	NUT	3				
9	5TL-F4727-00	PIN, SEAT FITTING	1				
10	1S7-F4780-00	SEAT LOCK ASSY	1				
11	98507-06012	SCREW, PAN HEAD	2				
12	1S7-F4728-00	BRACKET, SEAT	1				
13	90480-14872	GROMMET	2				
14	90201-06071	WASHER, PLATE	2				
15	95307-06600	NUT	2				
16	1S7-F117K-00	STAY, LOCK	1				
17	1S7-F4799-00	ROTOR ASSY	1				
18	90159-06033	SCREW, WITH WASHER	1				
19	1S7-F478E-00	CABLE, SEAT LOCK	1				
20	1S7-F4773-00-P0	HANDLE, SEAT	1				S3
21	95827-06020	BOLT, FLANGE	4				
22	1S7-F4768-00	STOPPER	1				

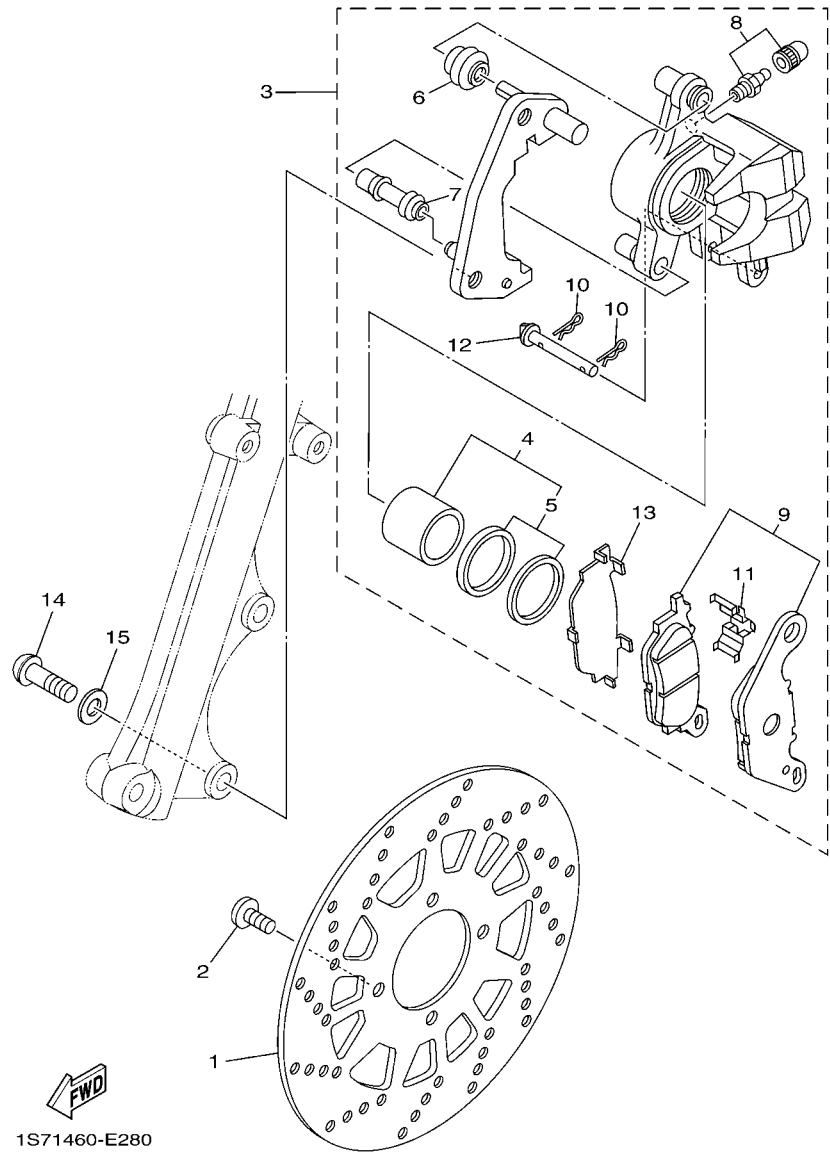
FIG. 27 FRONT WHEEL



REF. NO.	PART NO.	DESCRIPTION	1S71				REMARKS
1	5TP-F5111-01-35	HUB, FRONT	1				SL
2	90560-10292	SPACER	1				
3	93106-20816	OIL SEAL	1				
4	93306-300X9	BEARING	2				
5	1S7-F5104-00	SPOKE SET, FRONT	1				
6	94107-17823	TIRE (70/90-17M/C 38P NF63)	1				UR INOUE
	94107-17822	TIRE (70/90-17M/C 38P D102FA)	1				UR DUNLOP
7	94222-17804	TUBE (2.25-17 TR4)	1				UR INOUE
	94222-17800	TUBE (2.25/2.50-17 TR4)	1				UR DUNLOP
8	94322-17858	BAND, RIM (1.20-17)	1				UR INOUE
	94322-17800	BAND, RIM (2.25/2.75-17)	1				UR DUNLOP
9	94414-17888	RIM (1.40-17)	1				
10	90387-10277	COLLAR	1				
11	3AY-F5181-01	AXLE, WHEEL	1				
12	90185-10811	NUT, SELF-LOCKING	1				
13	90201-101J1	WASHER, PLATE	1				
14	5TP-F5190-00	GEAR UNIT ASSY	1				



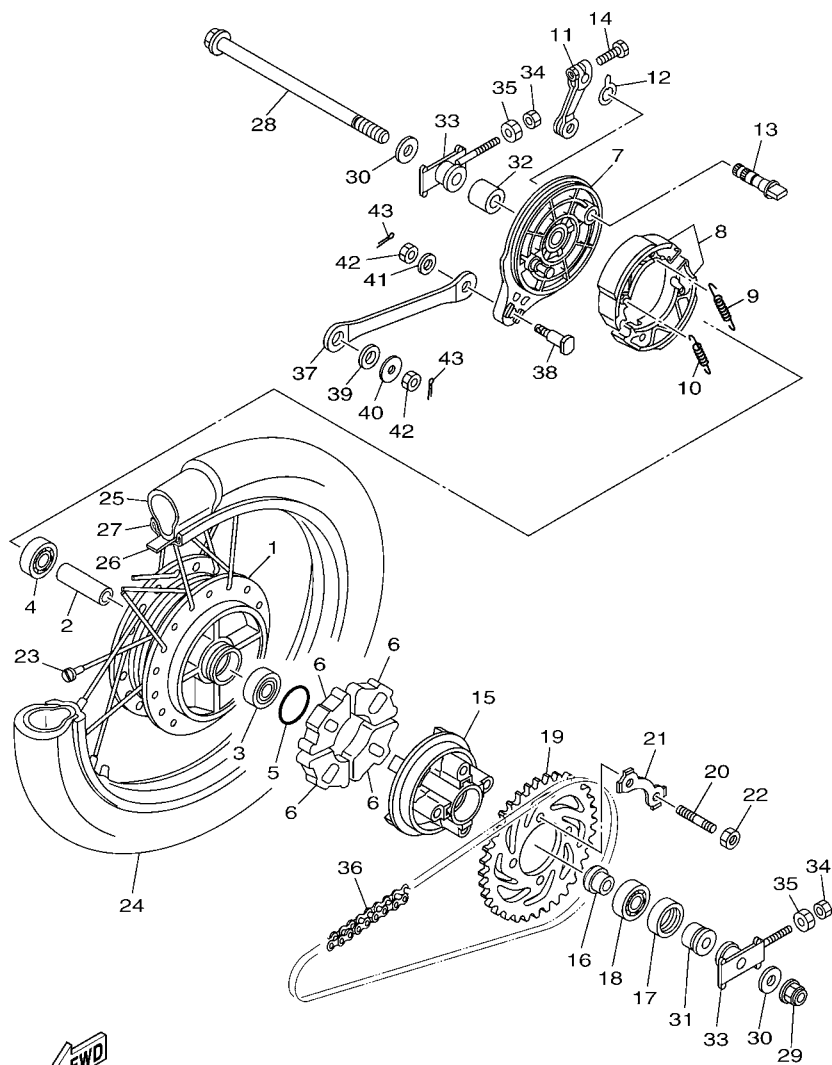
5YP1431-D270



1S71460-E280

FIG. 28 FRONT BRAKE CALIPER

REF. NO.	PART NO.	DESCRIPTION	1S71				REMARKS
1	5TP-F582U-00	DISK, BRAKE (RIGHT)	1				
2	90111-08815	BOLT,HEX. SOCKET BUTTON	4				
3	5YP-F580U-01	CALIPER ASSY (RIGHT)	1				
4	5YP-W0057-00	.PISTON ASSY, CALIPER	1				
5	5YP-W0047-50	..CALIPER SEAL KIT	1				
6	5YP-F5917-00	.BOOT, CALIPER	1				
7	5YP-F5937-00	.BOOT 2	1				
8	5TL-W0048-00	.BLEED SCREW KIT	1				
9	5YP-W0045-00	.BRAKE PAD KIT	1				
10	5YP-F5925-00	.CLIP	2				
11	5YP-F5919-00	.SUPPORT, PAD	1				
12	5YP-F5924-00	.PIN, PAD	1				
13	5YP-F5939-00	.CLIP, PAD	1				
14	90149-10801	SCREW	2				
15	92903-10200	WASHER, PLAIN	2				

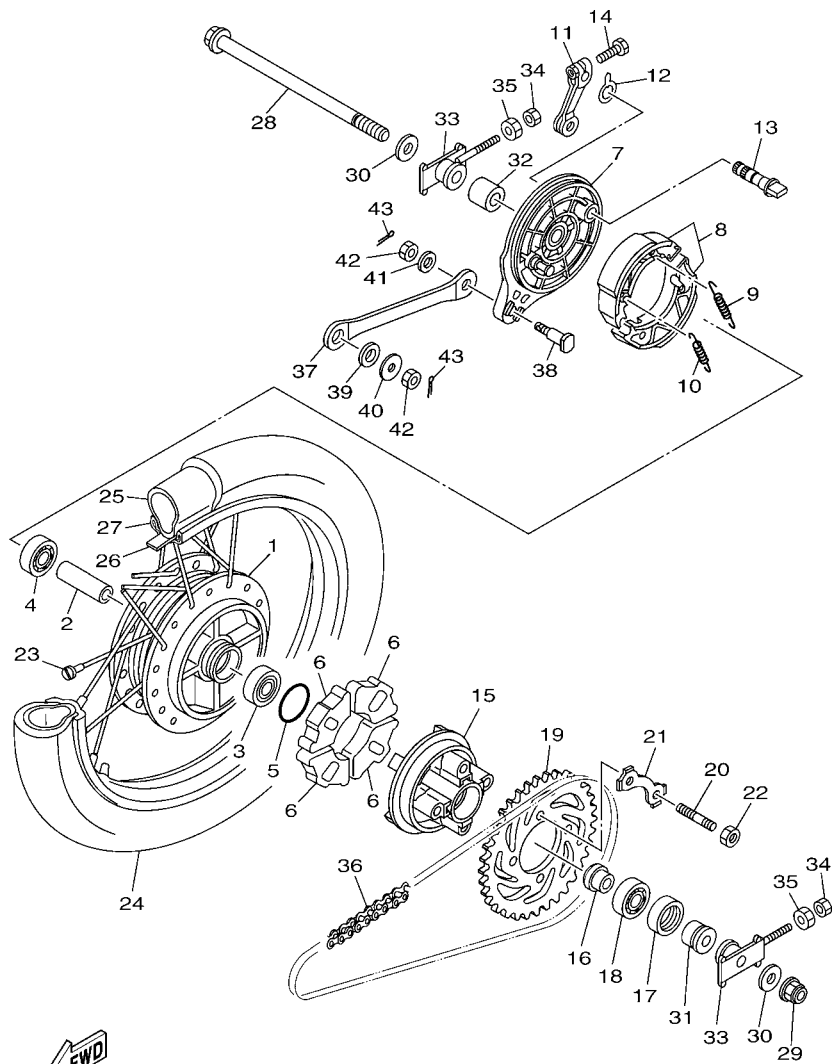


1S71460-E290

FIG. 29 REAR WHEEL

REF. NO.	PART NO.	DESCRIPTION	1S71				REMARKS
1	1S7-F5311-00-35	HUB, REAR	1				SL
2	90560-12145	SPACER	1				
3	93306-301YR	BEARING	1				
4	93306-301YP	BEARING	1				
5	93210-418G7	O-RING	1				
6	1S7-F5364-00	DAMPER	4				
7	1S7-F5321-00-35	PLATE, BRAKE SHOE	1				SL
8	1S7-F530K-00	BRAKE SHOE SET	1				
9	90506-12001	SPRING, TENSION	1				
10	90506-15001	SPRING, TENSION	1				
11	1S7-F5355-00	LEVER, CAMSHAFT	1				
12	5MX-F533A-00	PLATE, INDICATOR	1				
13	3Y6-F5351-00	CAMSHAFT	1				
14	90101-06278	BOLT	1				
15	1S7-F5366-00	CLUTCH, HUB	1				
16	90387-127Y0	COLLAR	1				
17	93106-26815	OIL SEAL	1				
18	93306-004XC	BEARING	1				
19	4ST-F5439-00	SPROCKET, DRIVEN (39T)	1				
20	90116-08017	BOLT, STUD	4				
21	3HB-F5412-00	WASHER	2				
22	90170-08258	NUT	4				
23	1S7-F5304-00	SPOKE SET, REAR	1				
24	94108-17823	TIRE (80/90-17M/C 44P NR78)	1				UR INOUE
	94108-17822	TIRE (80/90-17M/C 44P D102A)	1				UR DUNLOP
25	94227-17803	TUBE (2.75-17 TR4)	1				UR INOUE
	94222-17800	TUBE (2.25/2.50-17 TR4)	1				UR DUNLOP

FIG. 29 REAR WHEEL



FWD
1S71460-E290

REF. NO.	PART NO.	DESCRIPTION	1S71				REMARKS
26	94322-17858	BAND, RIM (1.20-17)	1				UR INOUE
	94322-17800	BAND, RIM (2.25/2.75-17)	1				UR DUNLOP
27	94416-17893	RIM (1.60-17)	1				
28	1S7-F5381-00	AXLE, WHEEL	1				
29	95607-12200	NUT, SELF-LOCKING	1				
30	90201-120T5	WASHER, PLATE	2				
31	5LM-F5383-00	COLLAR, WHEEL	1				
32	90387-12836	COLLAR	1				
33	1S7-F5388-00	PULLER, CHAIN 1	2				
34	95307-06600	NUT	2				
35	90170-06184	NUT	2				
36	9X568-68111	CHAIN	1				
37	1S7-F5371-00	BAR, TENSION	1				
38	90109-08822	BOLT	1				
39	90202-15800	WASHER, PLATE	1				
40	90201-088N6	WASHER, PLATE	1				
41	92907-08200	WASHER	1				
42	95304-08700	NUT	2				
43	91401-20012	PIN, COTTER	2				

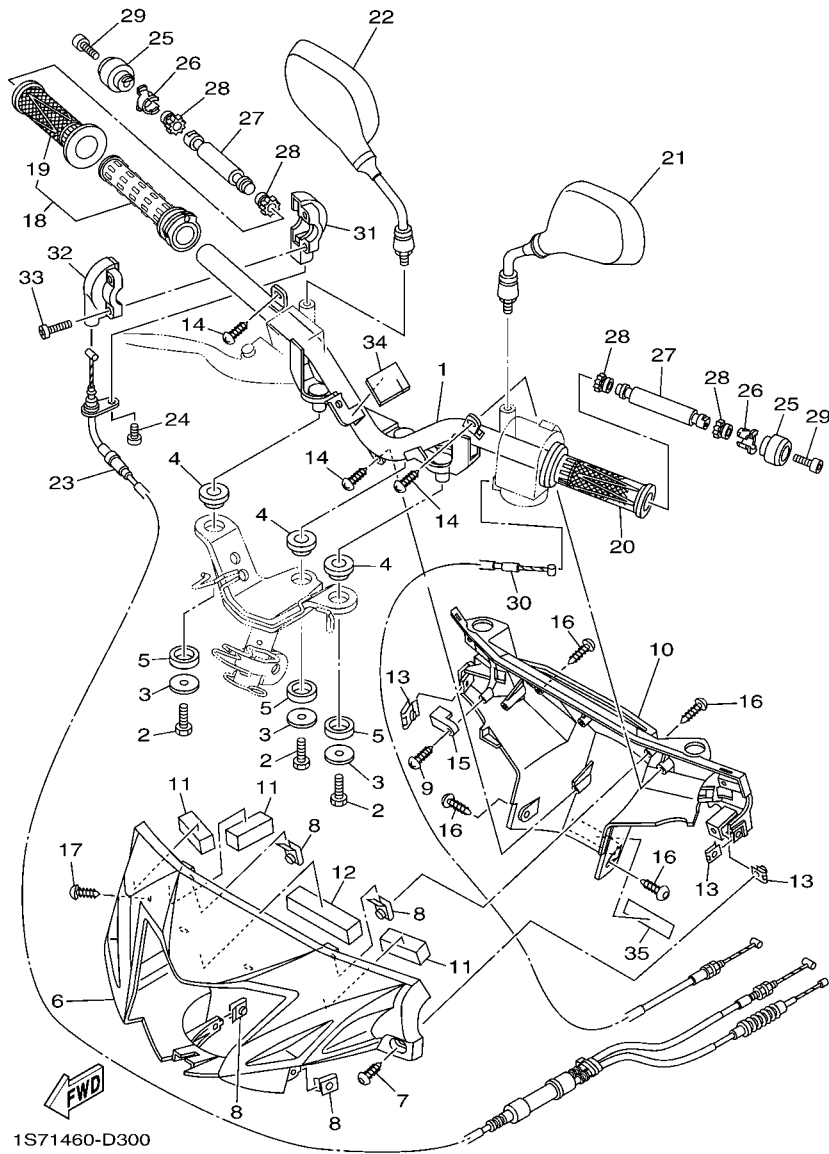


FIG. 30 STEERING HANDLE & CABLE

REF. NO.	PART NO.	DESCRIPTION	1S71				REMARKS
1	1S7-F6210-00	HANDLE	1				
2	97007-08016	BOLT	3				
3	90201-08612	WASHER, PLATE	3				
4	1S7-F8217-00	DAMPER 1	3				
5	1S7-F8227-00	DAMPER 2	3				
6	1S7-F6143-00-P1	COVER, HANDLEBAR UPPER 1	1				UR VRC1
	1S7-F6143-00-P0	COVER, HANDLEBAR UPPER 1	1				UR DPBMC
	1S7-F6143-00-33	COVER, HANDLEBAR UPPER 1	1				UR YB
	1S7-F6143-00-P2	COVER, HANDLEBAR UPPER 1	1				UR VOM2
	1S7-F6143-00-P3	COVER, HANDLEBAR UPPER 1	1				UR S3
7	90160-05009	SCREW, ROUND TAPPING	1				
8	90183-05807	NUT, SPRING	4				
9	97707-50012	SCREW, TAPPING	1				
10	1S7-F6145-00-P1	COVER, HANDLEBAR UPPER 2	1				UR VRC1
	1S7-F6145-00-P0	COVER, HANDLEBAR UPPER 2	1				UR DPBMC
	1S7-F6145-00-33	COVER, HANDLEBAR UPPER 2	1				UR YB
	1S7-F6145-00-P2	COVER, HANDLEBAR UPPER 2	1				UR VOM2
	1S7-F6145-00-P3	COVER, HANDLEBAR UPPER 2	1				UR S3
11	1S7-F622G-00	DAMPER, LOCATING	3				
12	1S7-F6113-00	DAMPER	1				
13	90183-05807	NUT, SPRING	3				
14	97707-50016	SCREW, TAPPING	3				
15	1S7-F622K-00	PROTECTOR 1	1				
16	90160-05009	SCREW, ROUND TAPPING	4				
17	97707-50012	SCREW, TAPPING	1				
18	1S7-F6240-00	GRIP ASSY	1				
19	1S7-F6242-00	.GRIP (RIGHT)	1				

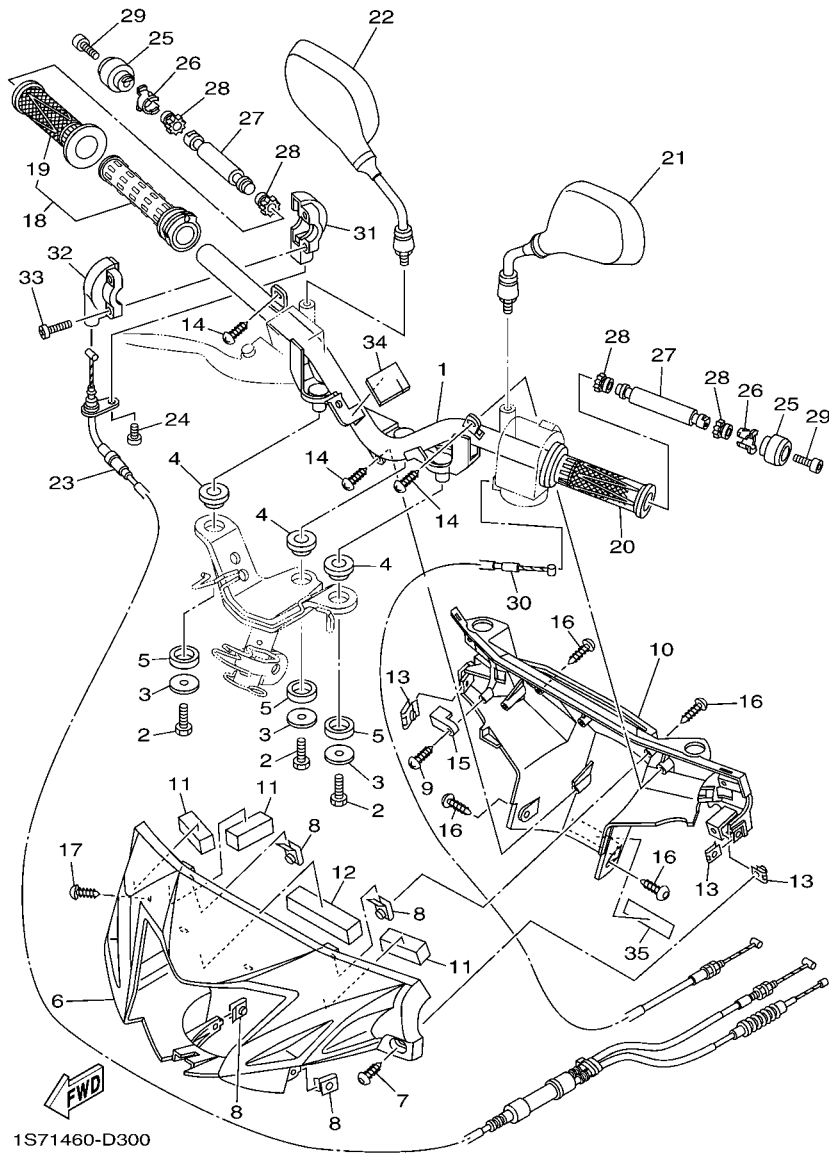
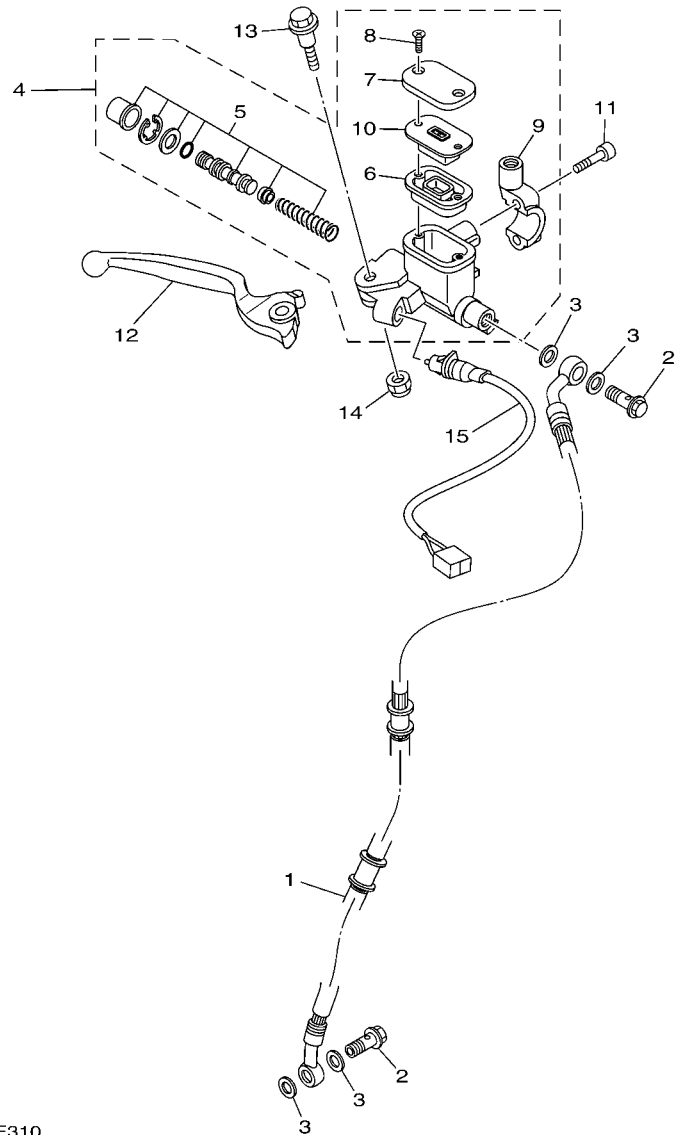


FIG. 30 STEERING HANDLE & CABLE

REF. NO.	PART NO.	DESCRIPTION	1S71				REMARKS
20	1S7-F6241-00	GRIP	1				
21	5MX-F6280-00	REAR VIEW MIRROR ASSY (LEFT)	1				
22	5MX-F6290-00	REAR VIEW MIRROR ASSY (RIGHT)	1				
23	1S7-F6301-00	THROTTLE CABLE ASSY	1				
24	98507-05016	SCREW, PAN HEAD	1				
25	1S7-F6246-00	END, GRIP	2				
26	1S7-F6257-00	STOPPER	2				
27	1S7-F622H-00	WEIGHT	2				
28	1S7-F622F-00	DAMPER, LOCATING 1	4				
29	91317-06030	BOLT	2				
30	1S7-F6331-00	CABLE, STARTER 1	1				
31	5TL-F6281-00	CAP, GRIP UPPER	1				
32	1S7-F6282-00	CAP, GRIP LOWER	1				
33	98507-05025	SCREW, PAN HEAD	2				
34	1S7-F317J-00	DAMPER 1	1				
35	1S7-F191H-00	LABEL, WARNING	1				



FWD
1S71460-E310

FIG. 31 FRONT MASTER CYLINDER

REF. NO.	PART NO.	DESCRIPTION	1S71				REMARKS
1	1S7-F5872-00	HOSE, BRAKE 1	1				
2	90401-10812	BOLT, UNION	2				
3	90201-10118	WASHER, PLATE	4				
4	5TL-F583T-20	MASTER CYLINDER ASSY	1				
5	5TL-W0041-01	.CYLINDER KIT, MASTER	1				
6	5TL-F5854-00	.DIAPHRAGM, RESERVOIR	1				
7	5TL-F5852-00	.CAP, RESERVOIR	1				
8	36Y-2589H-00	.SCREW	2				
9	5TL-F5867-00	.BRACKET, MASTER CYLINDER	1				
10	5TL-F5855-00	.BUSH,DIAPHRAGM	1				
11	91317-06025	BOLT	2				
12	5TL-H3922-00	LEVER 2	1				
13	90109-06577	BOLT	1				
14	95607-06100	NUT, U	1				
15	4US-H3980-00	FRONT STOP SWITCH ASSY	1				

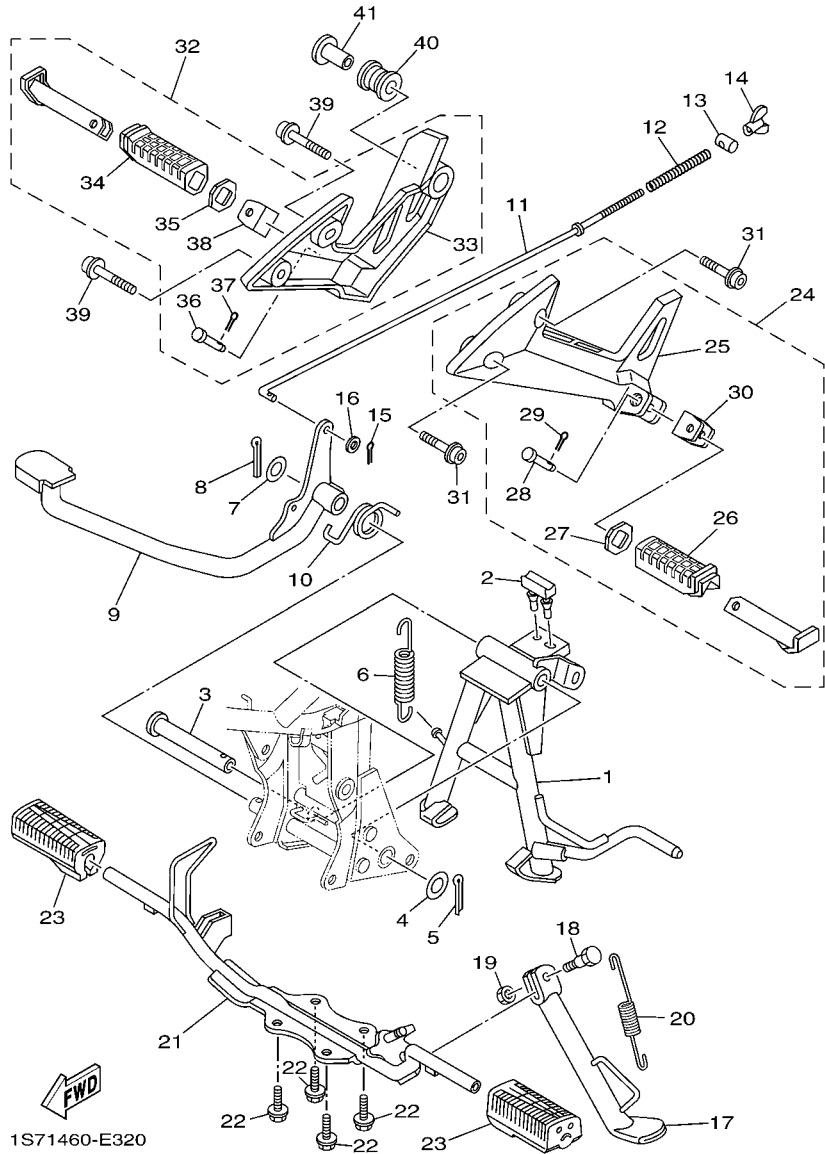


FIG. 32 STAND & FOOTREST

REF. NO.	PART NO.	DESCRIPTION	1S71				REMARKS
1	1S7-F7111-00	STAND, MAIN	1				
2	1S7-F7114-00	STOPPER, MAIN STAND	1				
3	1S7-F7112-00	SHAFT, MAIN STAND	1				
4	90201-163H8	WASHER, PLATE	1				
5	91401-30030	PIN, COTTER	1				
6	90506-35003	SPRING, TENSION	1				
7	90201-158D1	WASHER, PLATE	1				
8	91401-30030	PIN, COTTER	1				
9	1S7-F7211-00	PEDAL, BRAKE	1				
10	90508-40801	SPRING, TORSION	1				
11	1S7-F7231-00	ROD, BRAKE	1				
12	90501-10245	SPRING, COMPRESSION	1				
13	90249-12008	PIN	1				
14	90175-06013	NUT, WING	1				
15	91401-20012	PIN, COTTER	1				
16	92907-06600	WASHER, PLATE	1				
17	1S7-F7311-00	STAND, SIDE	1				
18	90109-08034	BOLT	1				
19	95307-08700	NUT	1				
20	90506-23804	SPRING, TENSION	1				
21	1S7-F7411-00	FOOTREST 1	1				
22	95827-08016	BOLT, FLANGE	4				
23	5LM-F7413-00	COVER, FOOTREST	2				
24	1S7-F7430-00	REAR FOOTREST ASSY 1	1				
25	1S7-F7452-00	.BRACKET, FOOTREST 1	1				
26	5LM-F7433-00	.COVER, REAR FOOTREST	1				
27	5LM-F7445-00	.PLATE 1	1				

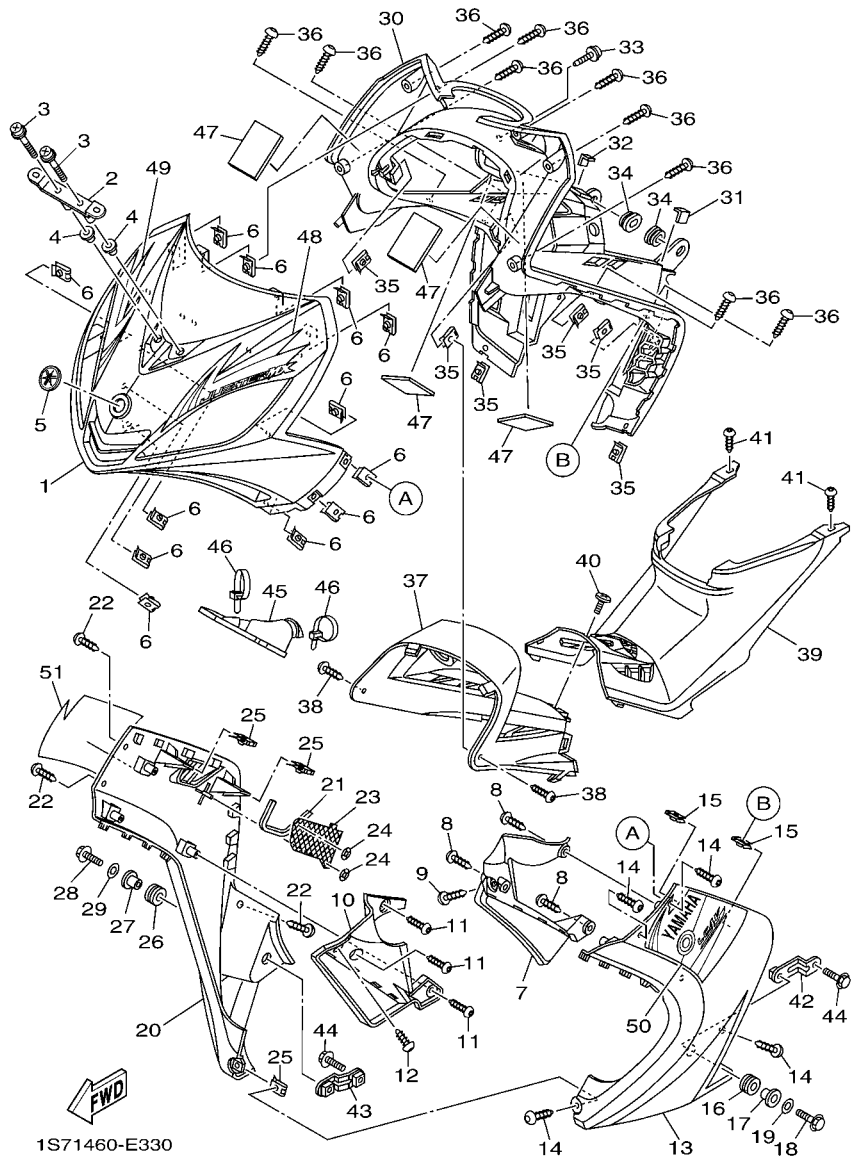


FIG. 33 LEG SHIELD

REF. NO.	PART NO.	DESCRIPTION	1S71			REMARKS
1	1S7-F3391-00-P1	PANEL, FRONT	1			UR VRC1
	1S7-F3391-00-P0	PANEL, FRONT	1			UR DPBMC
	1S7-F3391-00-33	PANEL, FRONT	1			UR YB
	1S7-F3391-00-P2	PANEL, FRONT	1			UR VOM2
	1S7-F3391-00-P3	PANEL, FRONT	1			UR S3
2	1S7-H454E-00	BRACKET, NUMBER PLATE	1			
3	95807-06035	BOLT, FLANGE	2			
4	90387-09803	COLLAR	2			
5	5TL-F313B-00	EMBLEM 1	1			
6	90183-05807	NUT, SPRING	12			
7	1S7-F137U-00	GUIDE, AIR 1	1			
8	97707-50016	SCREW, TAPPING	3			
9	90160-05009	SCREW, ROUND TAPPING	1			
10	1S7-F137V-00	GUIDE, AIR 2	1			
11	97707-50016	SCREW, TAPPING	3			
12	90160-05009	SCREW, ROUND TAPPING	1			
13	1S7-F8311-00-P1	LEG SHIELD 1	1			UR VRC1
	1S7-F8311-00-P0	LEG SHIELD 1	1			UR DPBMC
	1S7-F8311-00-33	LEG SHIELD 1	1			UR YB
	1S7-F8311-00-P2	LEG SHIELD 1	1			UR VOM2
	1S7-F8311-00-P3	LEG SHIELD 1	1			UR S3
14	90160-05009	SCREW, ROUND TAPPING	4			
15	90183-05807	NUT, SPRING	2			
16	90480-18418	GROMMET	1			
17	90387-09802	COLLAR	1			
18	95807-06020	BOLT, FLANGE	1			
19	90201-06557	WASHER, PLATE	1			

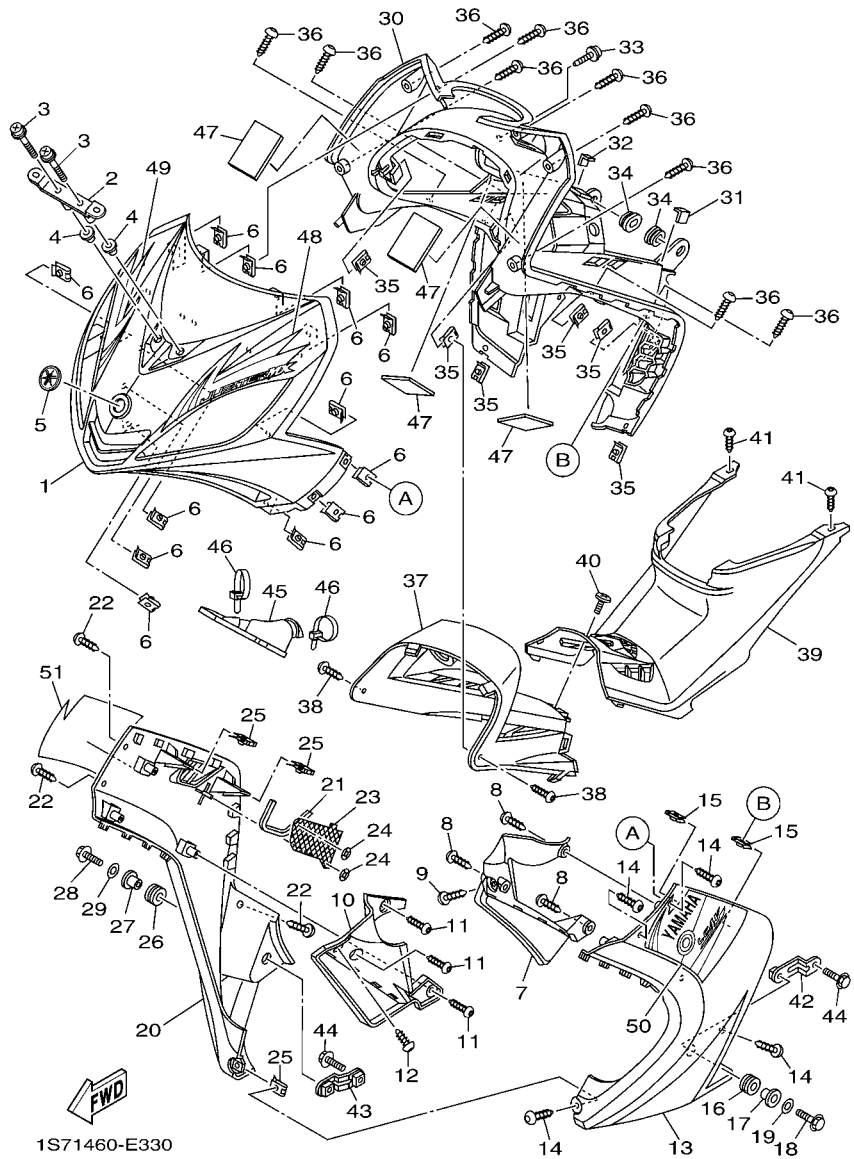


FIG. 33 LEG SHIELD

REF. NO.	PART NO.	DESCRIPTION	1S71			REMARKS
20	1S7-F8312-00-P1	LEG SHIELD 2	1			UR VRC1
	1S7-F8312-00-P0	LEG SHIELD 2	1			UR DPBMC
	1S7-F8312-00-33	LEG SHIELD 2	1			UR YB
	1S7-F8312-00-P2	LEG SHIELD 2	1			UR VOM2
	1S7-F8312-00-P3	LEG SHIELD 2	1			UR S3
21	1S7-F8371-00	DAMPER	1			
22	90160-05009	SCREW, ROUND TAPPING	3			
23	1S7-F8349-00	CAP	1			
24	90183-04005	NUT, SPRING	2			
25	90183-05807	NUT, SPRING	3			
26	90480-18418	GROMMET	1			
27	90387-09802	COLLAR	1			
28	95807-06020	BOLT, FLANGE	1			
29	90201-06557	WASHER, PLATE	1			
30	1S7-F836K-00-P0	PANEL, INNER 1	1			S3
31	1S7-F1732-00	SEAL 1	1			
32	1S7-F1735-00	SEAL 2	1			
33	90159-06181	SCREW, WITH WASHER	1			
34	90480-01558	GROMMET	2			
35	90183-05807	NUT, SPRING	6			
36	90160-05009	SCREW, ROUND TAPPING	10			
37	1S7-F842M-00	COVER 1	1			
38	90160-05009	SCREW, ROUND TAPPING	2			
39	1S7-F842N-00	COVER 2	1			
40	90150-06021	SCREW, ROUND HEAD	1			
41	90160-05009	SCREW, ROUND TAPPING	2			
42	1S7-F8321-00	STAY 1	1			

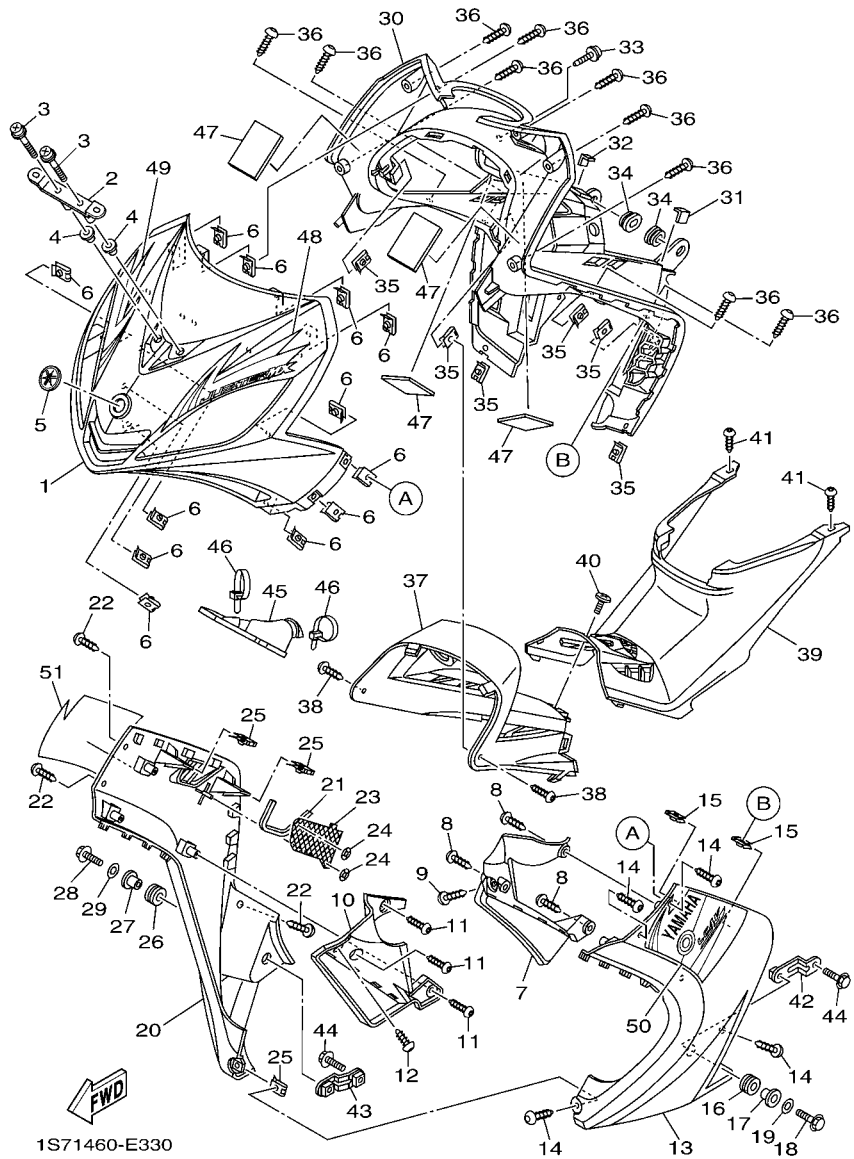
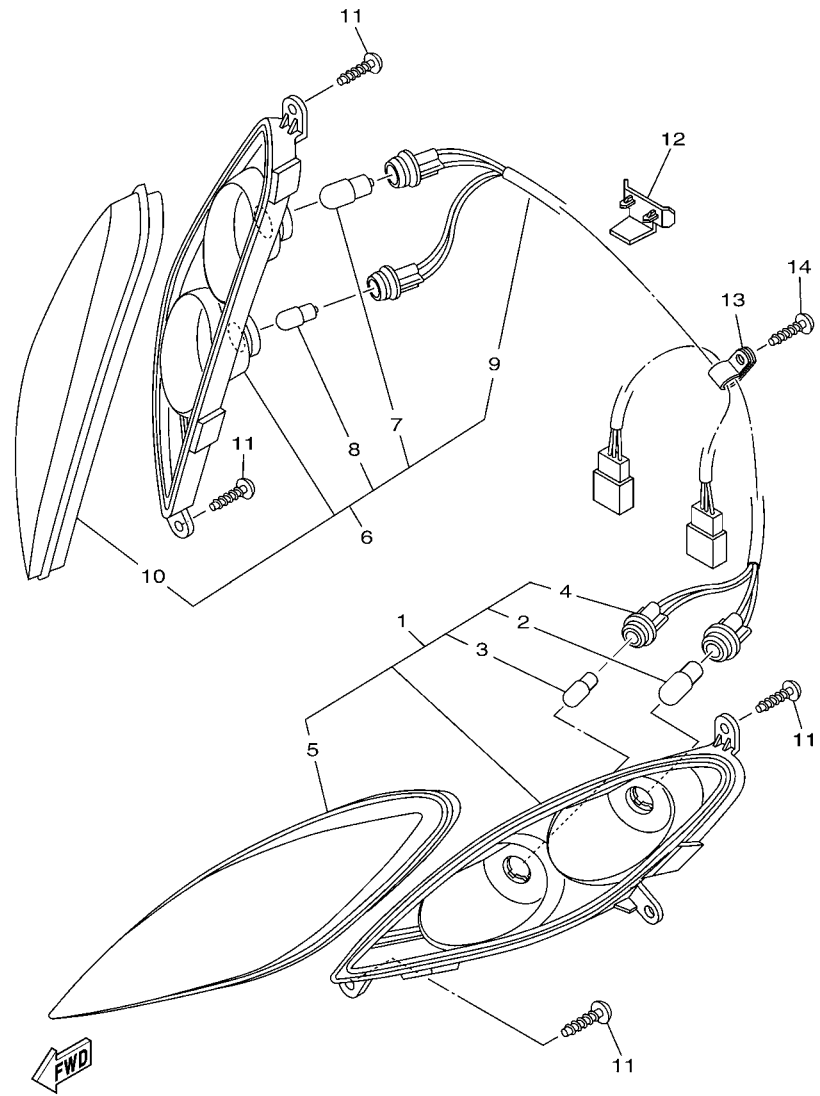


FIG. 33 LEG SHIELD

REF. NO.	PART NO.	DESCRIPTION	1S71				REMARKS
43	1S7-F8322-00	STAY 2	1				
44	95807-06020	BOLT, FLANGE	2				
45	1S7-F8336-00	PLATE	1				
46	90465-13152	CLAMP	2				
47	1S7-F8372-00	DAMPER	4				
48	1S7-F8368-00	EMBLEM	1				UR FOR VRC1
	1S7-F8368-10	EMBLEM	1				UR FOR DPBMC
	1S7-F8368-20	EMBLEM	1				UR FOR YB
	1S7-F8368-30	EMBLEM	1				UR FOR VOM2
	1S7-F8368-40	EMBLEM	1				UR FOR S3
49	1S7-F831Y-00	GRAPHIC 14	1				UR FOR VRC1
	1S7-F831Y-10	GRAPHIC 14	1				UR FOR DPBMC
	1S7-F831Y-20	GRAPHIC 14	1				UR FOR YB
	1S7-F831Y-30	GRAPHIC 14	1				UR FOR VOM2
	1S7-F831Y-40	GRAPHIC 14	1				UR FOR S3
50	1S7-F832B-00	EMBLEM 1	1				UR FOR VRC1
	1S7-F832B-10	EMBLEM 1	1				UR FOR DPBMC
	1S7-F832B-20	EMBLEM 1	1				UR FOR YB
	1S7-F832B-30	EMBLEM 1	1				UR FOR VOM2
	1S7-F832B-40	EMBLEM 1	1				UR FOR S3
51	1S7-F832C-00	GRAPHIC 1	1				UR FOR VRC1
	1S7-F832C-10	GRAPHIC 1	1				UR FOR DPBMC
	1S7-F832C-20	GRAPHIC 1	1				UR FOR YB
	1S7-F832C-30	GRAPHIC 1	1				UR FOR VOM2
	1S7-F832C-40	GRAPHIC 1	1				UR FOR S3

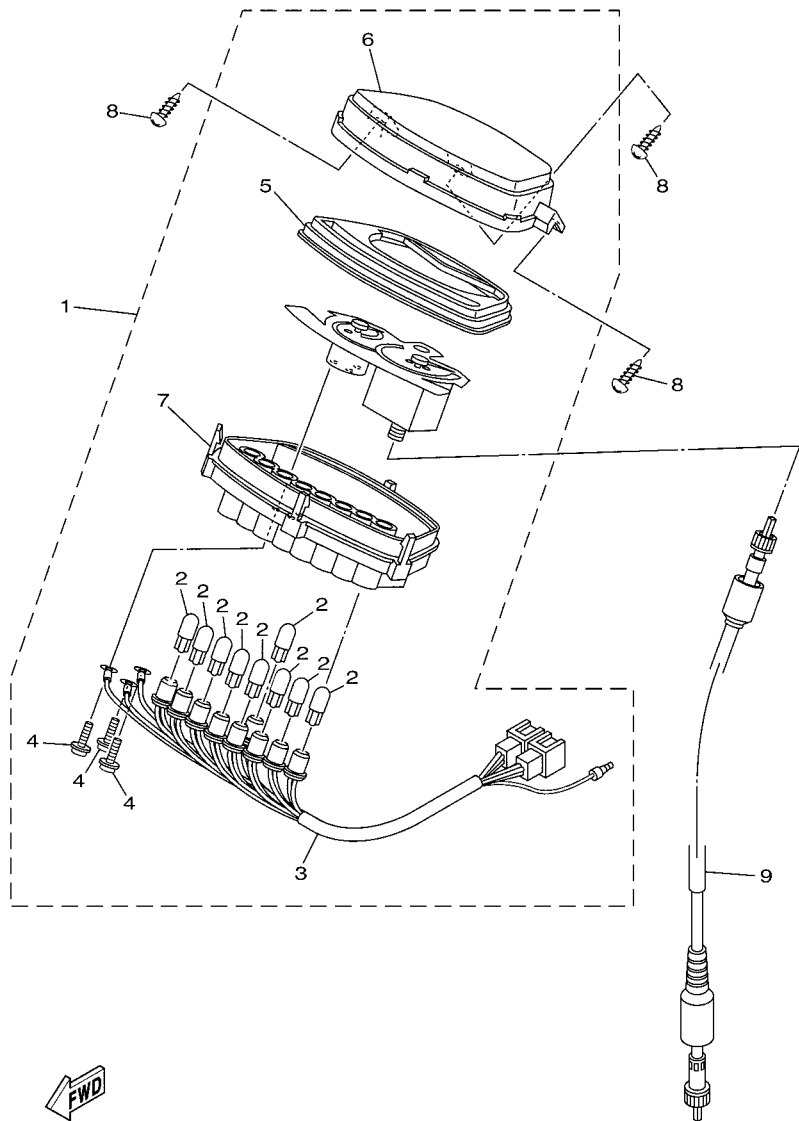


1S71460-E360

FIG. 36 FLASHER LIGHT

REF. NO.	PART NO.	DESCRIPTION	1S71				REMARKS
1	1S7-H3310-00	FRONT FLASHER LIGHT ASSY 1	1				
2	5LL-H3311-00	.BULB, FLASHER (12V-10W)	1				AMBER
3	5YP-H5353-00	.BULB (12V-5W)	1				
4	5YP-H331E-00	.CORD ASSY	1				
5	1S7-H3332-00	.LENS, FLASHER	1				
6	1S7-H3320-00	FRONT FLASHER LIGHT ASSY 2	1				
7	5LL-H3311-00	.BULB, FLASHER (12V-10W)	1				AMBER
8	5YP-H5353-00	.BULB (12V-5W)	1				
9	5YP-H332E-00	.CORD ASSY	1				
10	1S7-H3342-00	.LENS, FLASHER 2	1				
11	97707-50016	SCREW, TAPPING	4				
12	5TL-F835W-00	HOLDER, WIRE	1				
13	90461-11099	CLAMP	1				
14	97707-50016	SCREW, TAPPING	1				

FIG. 37 METER



5YP1431-D370

REF. NO.	PART NO.	DESCRIPTION	1S71				REMARKS
1	1S7-H3510-00	SPEEDOMETER ASSY	1				
2	1Y7-83517-00	.BULB (12V-1.7W T10)	9				
3	5YP-H3509-00	.SOCKET CORD ASSY	1				
4	90159-03102	.SCREW, WITH WASHER	3				
5	1S7-H353L-00	.REFLECTOR	1				
6	5YP-H3511-00	.LENS, SPEEDOMETER	1				
7	5YP-H353F-00	.CASE, METER LOWER	1				
8	97707-50016	SCREW, TAPPING	3				
9	1S7-H3550-00	SPEEDOMETER CABLE ASSY	1				

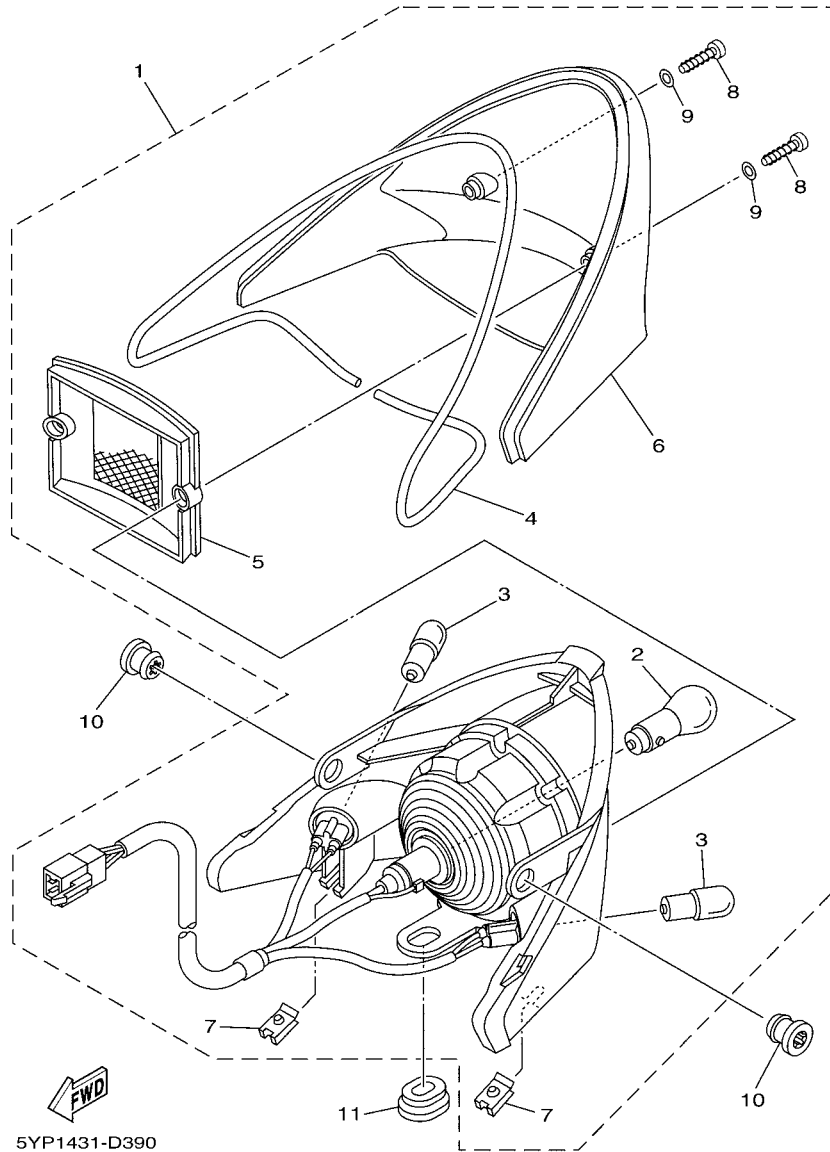
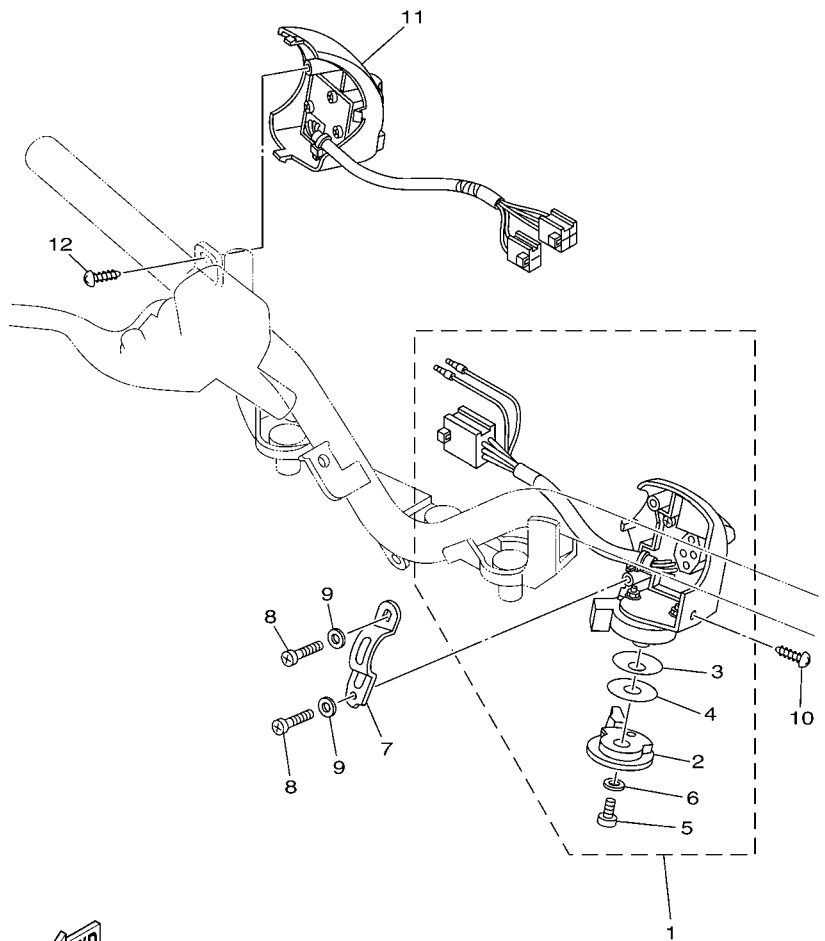


FIG. 39 TAILLIGHT

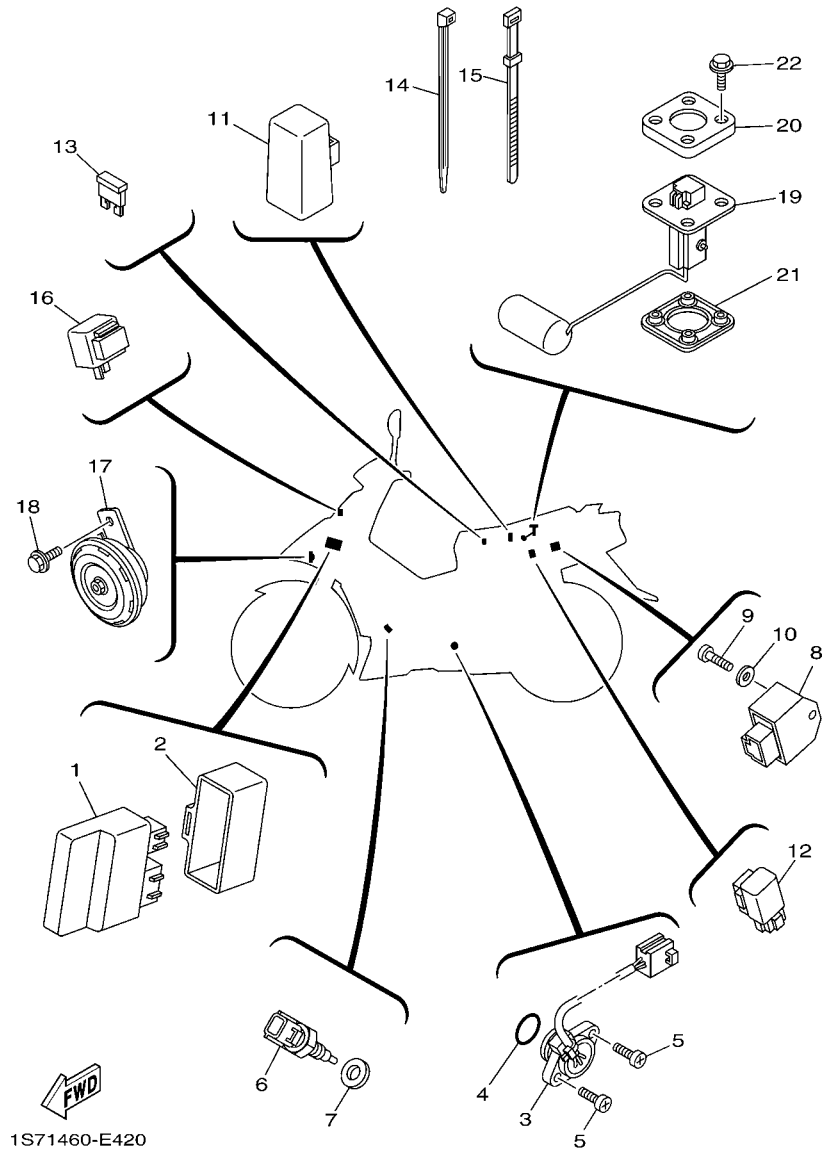
REF. NO.	PART NO.	DESCRIPTION	1S71				REMARKS
1	5YP-H4710-10	TAILLIGHT UNIT ASSY	1				
2	5YP-H4714-00	.BULB, FLASHER (12V 21/5W)	1				
3	5LW-H3331-10	.BULB, FLASHER (12V 10W T13)	2				
4	5YP-H4723-00	.GASKET, TAIL LENS	1				
5	5YP-H4721-00	.LENS, TAILLIGHT	1				
6	5YP-H4743-00	.LENS, LICENCE LIGHT	1				
7	90183-05807	.NUT, SPRING	2				
8	97707-40618	.SCREW, TAPPING	2				
9	92907-04600	.WASHER	2				
10	90480-13810	GROMMET	2				
11	90480-01558	GROMMET	1				

FIG. 40 HANDLE SWITCH & LEVER



REF. NO.	PART NO.	DESCRIPTION	1S71				REMARKS
1	1S7-H3973-00	SWITCH, HANDLE 3	1				
2	5TL-H3941-00	.LEVER, STARTER	1				
3	5TL-H3947-00	.SPRING	1				
4	5TL-H397X-00	.SPACER	1				
5	9850L-06008	.SCREW, PAN HEAD	1				
6	9290L-06200	.WASHER	1				
7	1S7-H3955-00	BRACKET 1	1				
8	98507-05016	SCREW, PAN HEAD	2				
9	92907-05600	WASHER, PLATE	2				
10	97707-50012	SCREW, TAPPING	1				
11	5TL-H3975-20	SWITCH, HANDLE 2	1				
12	97707-50016	SCREW, TAPPING	1				


1S71460-E400



1S71460-E420

FIG. 42 ELECTRICAL 2

REF. NO.	PART NO.	DESCRIPTION	1S71				REMARKS
1	1S7-H5540-00	C.D.I. UNIT ASSY	1				
2	1S7-H5546-00	BAND	1				
3	1S7-H2540-00	NEUTRAL SWITCH ASSY	1				
4	93210-21801	O-RING	1				
5	98507-05016	SCREW, PAN HEAD	2				
6	5YP-85790-00	THERMOSENSOR ASSY	1				
7	90430-12801	GASKET	1				
8	5TL-H1960-00	RECTIFIER & REGULATOR ASSY	1				
9	98507-06012	SCREW, PAN HEAD	1				
10	92907-06600	WASHER, PLATE	1				
11	5TP-H1940-00	STARTER RELAY ASSY	1				
12	1S7-H1950-00	RELAY ASSY	1				
13	5TL-H2151-00	FUSE (10A)	1				
14	90465-13152	CLAMP	3				
15	3AY-H3936-10	BAND, SWITCH CORD	1				
16	5TF-H3350-00	FLASHER RELAY ASSY	1				
17	5MX-H3371-00	HORN	1				
18	95807-06010	BOLT, FLANGE	1				
19	1S7-H5752-00	SENDER UNIT ASSY, FUEL METER	1				
20	5ER-H5757-00	RETAINER	1				
21	4US-H5753-00	GASKET, SENDER UNIT	1				
22	90119-05071	BOLT, WITH WASHER	4				

NUMERICAL INDEX

PART NO.	REF. NO.	PART NO.	REF. NO.	PART NO.	REF. NO.	PART NO.	REF. NO.	PART NO.	REF. NO.	PART NO.	REF. NO.
5YP-11603-00	2 - 12	1S7-E1191-00	1 - 6	1S7-E3440-00	7 - 8	1S7-E5661-00	13 - 1	1S7-E8127-00	18 - 6	1S7-F172W-00	21 - 23
5YP-12117-00	3 - 6	1S7-E1193-00	1 - 14	1S7-E3447-00	7 - 9	1S7-E5664-00	13 - 4	1S7-E8140-00	18 - 7	1S7-F1731-00-P0	21 - 7
1WG-12118-00	3 - 5	1S7-E1196-00	5 - 5	1S7-E3542-00	8 - 4	1S7-E5671-00	13 - 3	1S7-E8172-00	18 - 3	1S7-F1732-00	33 - 31
5YP-12411-00	6 - 1	1S7-E1311-00	1 - 23	1S7-E3586-00	8 - 2	1S7-E5674-00	13 - 9	5LM-E8173-00	18 - 16	1S7-F1735-00	33 - 32
5YP-14103-00	9 - 13	1S7-E1351-00	1 - 24	1S7-E3595-00	8 - 3	1S7-E5696-00	13 - 7	1S7-E8175-00	18 - 9	1S7-F1737-00	21 - 43
5YP-14105-00	9 - 18	1S7-E1422-00	2 - 6	5YP-E4101-00	9 - 1	1S7-E5767-00	13 - 5	1S7-E8179-00	18 - 2	1S7-F173E-00	21 - 39
5YP-14112-20	9 - 33	1S7-E1631-00	2 - 9	1S7-E4197-00	8 - 8	1S7-E6116-00	15 - 1	5YP-E817A-00	18 - 17	1S7-F173E-10	21 - 39
5YP-14131-00	9 - 21	1S7-E1633-00	2 - 10	1S7-E4293-00	21 - 35	5YP-E6131-00	15 - 4	1S7-E8181-00	18 - 4	1S7-F173E-20	21 - 39
5VL-14141-29	9 - 5	5YP-E1651-00	2 - 5	1S7-E4411-00	8 - 11	1S7-E6135-00	15 - 29	1S7-E8185-00	17 - 2	1S7-F173E-30	21 - 39
3H1-14142-20	9 - 4	1S7-E1681-01	2 - 3	1S7-E4412-00	8 - 12	5YP-E6143-00	15 - 13	5YP-E8186-00	18 - 18	1S7-F173F-00	21 - 40
5YP-14145-00	9 - 16	1S7-E1951-00	5 - 8	1S7-E4425-00	8 - 21	1S7-E6144-00	15 - 7	1S7-E8337-00	18 - 10	1S7-F173F-10	21 - 40
5YP-14146-00	9 - 17	1S7-E1952-01	5 - 9	1S7-E4437-00	8 - 18	1S7-E6150-00	15 - 18	1S7-E8511-00	17 - 13	1S7-F173F-20	21 - 40
5YP-14147-00	9 - 15	1S7-E2111-00	3 - 1	5TL-E443E-00	8 - 16	1S7-E6181-00	15 - 17	1S7-E8512-00	17 - 14	1S7-F173F-30	21 - 40
5YY-14150-00	9 - 34	5YP-E2113-00	3 - 4	1S7-E4450-00	8 - 13	1S7-E6182-00	15 - 2	1S7-E8531-00	17 - 11	1S7-F1741-00-P0	21 - 9
522-14161-00	9 - 27	1S7-E2119-00	3 - 3	1S7-E4452-00	8 - 15	1S7-E6321-00	15 - 21	1S7-E8540-00	17 - 1	1S7-F1746-00	21 - 36
5YP-14169-10	9 - 23	1S7-E2121-00	3 - 2	1S7-E4453-00	8 - 14	1S7-E6324-00	15 - 20	5TP-E8542-00	17 - 6	1S7-F1747-00	21 - 38
22F-14174-00	9 - 22	5YP-E2126-00	3 - 7	1S7-E4613-00	10 - 9	1S7-E6331-00	15 - 22	5TN-E8545-00	16 - 16	1S7-F174G-00	21 - 41
5YP-14185-00	9 - 2	1S7-E2151-00	3 - 8	1S7-E4703-00	10 - 1	1S7-E6333-00	15 - 26	1S7-E8549-00	17 - 3	1S7-F174G-10	21 - 41
127-14186-00	9 - 14	1S7-E2156-00	3 - 14	1S7-E4728-00	10 - 2	5HV-E6346-00	18 - 21	5YP-E8561-00	16 - 15	1S7-F174G-20	21 - 41
5LW-14191-00	9 - 28	1S7-E2157-00	4 - 8	1S7-E4737-00	10 - 8	1S7-E6351-00	15 - 25	1S7-F1110-00	19 - 1	1S7-F174G-30	21 - 41
5YP-14216-00	9 - 24	1S7-E2159-00	3 - 9	5TP-E4747-00	10 - 16	5YP-E6356-00	15 - 32	1S7-F1173-00	21 - 22	1S7-F174H-00	21 - 42
3G2-14231-21	9 - 3		3 - 12	1S7-E4758-00	10 - 3	5YP-E6357-00	15 - 31	1S7-F117G-00	19 - 17	1S7-F174H-10	21 - 42
5YP-14243-00	9 - 25	1S7-E2161-00	3 - 11	1S7-E482K-00	1 - 8	1S7-E6371-00	15 - 19	1S7-F117K-00	26 - 16	1S7-F174H-20	21 - 42
5YP-14349-00	9 - 12	1S7-E2170-00	4 - 1	5YP-E4840-00	1 - 9	1S7-E6383-00	15 - 23	1S7-F117R-00-35	19 - 15	1S7-F174H-30	21 - 42
5YP-14429-00	9 - 11	5MX-E2210-00	4 - 16	1S7-E4877-00	8 - 31	1S7-E6384-00	15 - 24	1S7-F124E-00	21 - 31	1S7-F177F-00	21 - 10
5YP-14515-00	9 - 35	5MX-E2213-00	4 - 17	1S7-E4881-00	8 - 34	1S7-E6512-00	15 - 11	1S7-F1315-00	19 - 10	1S7-F177G-00	21 - 28
5YP-14561-00	9 - 6	5YP-E2231-00	4 - 12	1S7-E4882-00	8 - 27	1S7-E6539-00	15 - 5	1S7-F1316-00	19 - 11	1S7-F1817-00	21 - 25
5YP-14562-00	9 - 29	5YP-E2241-00	4 - 13	5YP-E4890-00	1 - 10	5YP-E6586-00	15 - 12	1S7-F137U-00	33 - 7	1S7-F1871-00	21 - 14
5YP-14563-00	9 - 30	1S7-E2280-01	4 - 6	1S7-E5113-00	12 - 11	1S7-E6611-00	15 - 3	1S7-F137V-00	33 - 10	1S7-F1875-00	21 - 19
5YP-14564-00	9 - 31	1S7-E2288-00	4 - 7	1S7-E5150-00	11 - 1	1S7-E6620-00	15 - 9	1S7-F139R-00	19 - 12	1S7-F191H-00	30 - 35
5YP-1490J-00	9 - 32	5YP-E2405-00	6 - 6	1S7-E5351-00	7 - 4	1S7-E6628-00	15 - 28	1S7-F139X-00	19 - 13	1S7-F2110-00	22 - 1
5YP-14919-00	9 - 36	1S7-E2413-00	6 - 2	1S7-E5362-00	12 - 22	1S7-E6777-00	15 - 27	1S7-F1511-00-33	20 - 1	3HB-F2123-00	22 - 2
5YP-14959-00	9 - 26	1S7-E2422-00	5 - 1	1S7-E5377-00	12 - 16	1S7-E7121-00	16 - 6	1S7-F1511-00-P0	20 - 1	1S7-F2141-00	22 - 6
5LW-14994-00	9 - 19	1S7-E2428-00	5 - 3	1S7-E5411-00	12 - 1	1S7-E7131-00	16 - 2	1S7-F1511-00-P1	20 - 1	1S7-F2151-00	22 - 3
18G-23411-00	24 - 17	1S7-E2443-00	6 - 13	1S7-E5418-00	12 - 12	1S7-E7141-00	16 - 3	1S7-F1511-00-P2	20 - 1	1S7-F2210-00	22 - 12
5TL-2341E-00	23 - 2	1S7-E2450-00	5 - 7	1S7-E5421-00	12 - 17	1S7-E7211-00	16 - 22	1S7-F1511-00-P3	20 - 1	1S7-F2311-00	22 - 9
5TL-2341E-10	23 - 5	5YP-E2461-00	6 - 5	1S7-E5451-00	12 - 2	1S7-E7221-00	16 - 14	4ST-F1518-00	20 - 5	1S7-F3100-00	24 - 1
4XV-24453-00	9 - 10	5YP-E2462-00	6 - 9	1S7-E5461-00	12 - 18	1S7-E7231-00	16 - 21	1S7-F1521-00	25 - 19	5YP-F3110-00	24 - 8
4X8-24512-00	25 - 14	1S7-E2481-00	6 - 15	1S7-E5514-00	14 - 1	1S7-E7241-00	16 - 20	1S7-F160E-00	20 - 10	4VK-F3111-10	24 - 19
36Y-2589H-00	31 - 8	1S7-E2482-00	6 - 17	1S7-E5521-00	14 - 2	1S7-E7411-00	16 - 1	1S7-F1611-00	20 - 6	1S7-F3126-00-35	24 - 5
1Y7-83517-00	37 - 2	1S7-E2491-00	6 - 3	1S7-E5524-00	14 - 3	1S7-E7421-00	16 - 13	1S7-F1691-00	21 - 8	1S7-F3136-00-35	24 - 2
5YP-85790-00	42 - 6	1S7-E2576-00	6 - 19	1S7-E5555-00	13 - 8	1S7-E7456-00	16 - 29	1S7-F1711-00-P0	21 - 1	5TL-F313B-00	33 - 5
1S7-E1102-00	1 - 1	5YP-E2671-00	6 - 8	5YP-E5580-00	14 - 5	1S7-E7471-00	16 - 11	1S7-F1717-00	21 - 37	5YP-F3141-00	24 - 15
1S7-E111F-00	4 - 9	5YP-E2675-00	6 - 7	5HV-E5583-00	14 - 6	1S7-E8101-00	18 - 1	1S7-F171E-00-P0	21 - 13	4XC-F3144-00	24 - 14
1S7-E1133-10	1 - 2	1S7-E3300-00	7 - 1	1S7-E5598-00	4 - 15	1S7-E8110-00	18 - 22	1S7-F1721-00-P0	21 - 2	4XC-F3145-00	24 - 3
1S7-E1166-00	8 - 25	1S7-E3327-00	7 - 12	5YP-E5614-00	14 - 7	1EG-E8113-01	18 - 23	1S7-F172K-01	21 - 16		24 - 6
1S7-E1181-00	1 - 19	1S7-E3329-00	7 - 2	1S7-E5620-00	13 - 11	1S7-E8120-00	17 - 8	1S7-F172L-00	21 - 20	2JG-F3147-00	24 - 20
1S7-E1185-01	5 - 4	1S7-E3411-00	7 - 5	1S7-E5641-00	13 - 2	1S7-E8123-00	17 - 9	1S7-F172M-00	21 - 21	5NM-F3152-00	24 - 11

NUMERICAL INDEX

PART NO.	REF. NO.	PART NO.	REF. NO.	PART NO.	REF. NO.	PART NO.	REF. NO.	PART NO.	REF. NO.	PART NO.	REF. NO.
1T8-F3156-00	24 - 4	1S7-F5304-00	29 - 23	1S7-F6240-00	30 - 18	1S7-F8321-00	33 - 42	5LN-H2552-00	41 - 10	5YP-W0047-50	28 - 5
	24 - 7	1S7-F530K-00	29 - 8	1S7-F6241-00	30 - 20	1S7-F8322-00	33 - 43	1S7-H2590-00	41 - 13	5TL-W0048-00	28 - 8
2JG-F3157-00	24 - 10	1S7-F5311-00-35	29 - 1	1S7-F6242-00	30 - 19	1S7-F832B-00	33 - 50	1S7-H3310-00	36 - 1	5YP-W0057-00	28 - 4
509-F3158-L0	24 - 12	1S7-F5321-00-35	29 - 7	1S7-F6246-00	30 - 25	1S7-F832B-10	33 - 50	5LL-H3311-00	36 - 2	1S7-WE140-00	2 - 1
5YP-F3170-00	24 - 9	5MX-F533A-00	29 - 12	1S7-F6257-00	30 - 26	1S7-F832B-20	33 - 50		36 - 7	1S7-WE141-00	2 - 2
1S7-F317J-00	30 - 34	3Y6-F5351-00	29 - 13	5MX-F6280-00	30 - 21	1S7-F832B-30	33 - 50	5YP-H331E-00	36 - 4	90101-06278	29 - 14
278-F3181-50	24 - 13	1S7-F5355-00	29 - 11	5TL-F6281-00	30 - 31	1S7-F832B-40	33 - 50	1S7-H3320-00	36 - 6	90105-06061	8 - 7
1S7-F331A-00	23 - 11	1S7-F5364-00	29 - 6	1S7-F6282-00	30 - 32	1S7-F832C-00	33 - 51	5YP-H332E-00	36 - 9	90105-08850	1 - 16
1S7-F3340-00	24 - 16	1S7-F5366-00	29 - 15	5MX-F6290-00	30 - 22	1S7-F832C-10	33 - 51	5LW-H3331-10	39 - 3	90105-08863	19 - 5
5YW-F3346-00	24 - 18	1S7-F5371-00	29 - 37	1S7-F6301-00	30 - 23	1S7-F832C-20	33 - 51	1S7-H3332-00	36 - 5	90105-08864	19 - 4
1S7-F3391-00-33	33 - 1	1S7-F5381-00	29 - 28	1S7-F6331-00	30 - 30	1S7-F832C-30	33 - 51	1S7-H3342-00	36 - 10	90105-10036	23 - 9
1S7-F3391-00-P0	33 - 1	5LM-F5383-00	29 - 31	1S7-F7111-00	32 - 1	1S7-F832C-40	33 - 51	5TF-H3350-00	42 - 16	90105-10323	22 - 13
1S7-F3391-00-P1	33 - 1	1S7-F5388-00	29 - 33	1S7-F7112-00	32 - 3	1S7-F8336-00	33 - 45	5MX-H3371-00	42 - 17	90109-06577	31 - 13
1S7-F3391-00-P2	33 - 1	3HB-F5412-00	29 - 21	1S7-F7114-00	32 - 2	1S7-F8349-00	33 - 23	5YP-H3509-00	37 - 3	90109-08034	32 - 18
1S7-F3391-00-P3	33 - 1	4ST-F5439-00	29 - 19	1S7-F7211-00	32 - 9	5TL-H335W-00	36 - 12	1S7-H3510-00	37 - 1	90109-08822	29 - 38
22F-F3411-00	23 - 4	5YP-F580U-01	28 - 3	1S7-F7231-00	32 - 11	1S7-F8366-00	23 - 12	5YP-H3511-00	37 - 6	90110-08803	32 - 31
156-F3412-00	23 - 1	5TP-F582U-00	28 - 1	1S7-F7311-00	32 - 17	1S7-F8368-00	33 - 48	5YP-H353F-00	37 - 7		32 - 39
22F-F3412-00	23 - 3	5TL-F583T-20	31 - 4	5TP-F7314-00	32 - 30	1S7-F8368-10	33 - 48	1S7-H353L-00	37 - 5	90111-08815	28 - 2
5TL-F3416-00	23 - 6	5TL-F5852-00	31 - 7		32 - 38	1S7-F8368-20	33 - 48	1S7-H3550-00	37 - 9	90116-08017	29 - 20
1S7-F3461-00	23 - 8	5TL-F5854-00	31 - 6	1S7-F7411-00	32 - 21	1S7-F8368-30	33 - 48	5TL-H3922-00	31 - 12	90119-05071	42 - 22
1S7-F3472-00	23 - 21	5TL-F5855-00	31 - 10	5LM-F7413-00	32 - 23	1S7-F8368-40	33 - 48	3AY-H3936-10	42 - 15	90119-06044	20 - 7
1S7-F4110-00	25 - 1	5TL-F5867-00	31 - 9	5TP-F7424-00	32 - 40	1S7-F836K-00-P0	33 - 30	5TL-H3941-00	40 - 2		21 - 15
1S7-F4141-00	25 - 7	1S7-F5872-00	31 - 1	1S7-F7430-00	32 - 24	1S7-F8371-00	33 - 21	5TL-H3947-00	40 - 3		21 - 30
1S7-F4311-00	25 - 9	1S7-F5875-00	23 - 15	5LM-F7433-00	32 - 26	1S7-F8372-00	33 - 47	1S7-H3955-00	40 - 7	90119-06051	8 - 24
1S7-F4312-00	25 - 10	1S7-F5876-00	23 - 17	1S7-F7440-00	32 - 32	1S7-F842M-00	33 - 37	1S7-H3973-00	40 - 1	90119-06190	25 - 6
1S7-F4339-00	25 - 2	1S7-F587A-00	23 - 19	5LM-F7444-00	32 - 34	1S7-F842N-00	33 - 39	5TL-H3975-20	40 - 11	90149-06011	25 - 15
1S7-F4397-00	25 - 4	5YP-F5917-00	28 - 6	5LM-F7445-00	32 - 27	1S7-H1410-00	34 - 2	1S7-H397X-00	40 - 4	90149-06829	4 - 14
5YP-F4500-00	25 - 13	5YP-F5919-00	28 - 11		32 - 35	1S7-H1450-00	34 - 1	4US-H3980-00	31 - 15	90149-10801	28 - 14
4YY-F4610-00	25 - 17	5YP-F5924-00	28 - 12	1S7-F7452-00	32 - 25	1S7-H1800-00	35 - 1	1S7-H4310-00	38 - 1	90150-06021	19 - 16
4YY-F4612-00	25 - 18	5YP-F5925-00	28 - 10	1S7-F7462-00	32 - 33	3AY-H1801-00	35 - 2	5HV-H4314-00	38 - 2		33 - 40
1S7-F4638-00	25 - 3	5YP-F5937-00	28 - 7	1S7-F8100-00	19 - 18	3AY-H1828-00	35 - 4	5TL-H4340-00	38 - 3	90153-06803	1 - 3
1S7-F470F-00	26 - 2	5YP-F5939-00	28 - 13	1S7-F8217-00	30 - 4	3AY-H182M-00	35 - 3	5TL-H4374-00	38 - 4		1 - 25
5TP-F4723-00	26 - 3	1S7-F6113-00	30 - 12	1S7-F8227-00	30 - 5	5YP-H183G-00	35 - 5	1S7-H454E-00	33 - 2	90159-03102	37 - 4
1S7-F4726-00	26 - 5	1S7-F6143-00-33	30 - 6	1S7-F8311-00-33	33 - 13	5TP-H1940-00	42 - 11	5YP-H4710-10	39 - 1	90159-06033	26 - 18
5TL-F4727-00	26 - 9	1S7-F6143-00-P0	30 - 6	1S7-F8311-00-P0	33 - 13	1S7-H1950-00	42 - 12	5YP-H4714-00	39 - 2	90159-06067	20 - 12
1S7-F4728-00	26 - 12	1S7-F6143-00-P1	30 - 6	1S7-F8311-00-P1	33 - 13	5TL-H1960-00	42 - 8	5YP-H4721-00	39 - 5	90159-06181	33 - 33
1S7-F4730-00	26 - 1	1S7-F6143-00-P2	30 - 6	1S7-F8311-00-P2	33 - 13	3AY-H2110-00	41 - 4	5YP-H4723-00	39 - 4	90160-05009	20 - 9
5BP-F4741-00	26 - 4	1S7-F6143-00-P3	30 - 6	1S7-F8311-00-P3	33 - 13	1S7-H2116-00	41 - 7	5YP-H4743-00	39 - 6		20 - 11
1S7-F4742-00	26 - 6	1S7-F6145-00-33	30 - 10	1S7-F8312-00-33	33 - 20	5TL-H2131-00	20 - 13	5YP-H5353-00	36 - 3		21 - 3
1S7-F4768-00	26 - 22	1S7-F6145-00-P0	30 - 10	1S7-F8312-00-P0	33 - 20		21 - 32		36 - 8		21 - 11
1S7-F4773-00-P0	26 - 20	1S7-F6145-00-P1	30 - 10	1S7-F8312-00-P1	33 - 20	1S7-H2150-00	41 - 5	1S7-H5540-00	42 - 1		30 - 7
1S7-F4780-00	26 - 10	1S7-F6145-00-P2	30 - 10	1S7-F8312-00-P2	33 - 20	5TL-H2151-00	41 - 6	1S7-H5546-00	42 - 2		30 - 16
1S7-F478E-00	26 - 19	1S7-F6145-00-P3	30 - 10	1S7-F8312-00-P3	33 - 20		42 - 13	1S7-H5752-00	42 - 19		33 - 9
1S7-F4799-00	26 - 17	1S7-F6210-00	30 - 1	1S7-F831Y-00	33 - 49	4US-H2310-00	41 - 1	4US-H5753-00	42 - 21		33 - 12
1S7-F5104-00	27 - 5	1S7-F622F-00	30 - 28	1S7-F831Y-10	33 - 49	1S7-H2370-00	41 - 3	5ER-H5757-00	42 - 20		33 - 14
5TP-F5111-01-35	27 - 1	1S7-F622G-00	30 - 11	1S7-F831Y-20	33 - 49	1S7-H2501-00	41 - 9	5YP-H5885-00	9 - 20		33 - 22
3AY-F5181-01	27 - 11	1S7-F622H-00	30 - 27	1S7-F831Y-30	33 - 49	1S7-H2530-00	41 - 12	5TL-W0041-01	31 - 5		33 - 36
5TP-F5190-00	27 - 14	1S7-F622K-00	30 - 15	1S7-F831Y-40	33 - 49	1S7-H2540-00	42 - 3	5YP-W0045-00	28 - 9		33 - 38

NUMERICAL INDEX

PART NO.	REF. NO.	PART NO.	REF. NO.	PART NO.	REF. NO.	PART NO.	REF. NO.	PART NO.	REF. NO.	PART NO.	REF. NO.
90160-05009	33 - 41	90201-126A7	18 - 15	90461-11099	36 - 13	91317-06025	17 - 4	93306-204YL	16 - 26	9502L-06045	11 - 5
90163-05803	8 - 19	90201-12817	18 - 11	90462-08805	12 - 6		31 - 11	93306-252X1	16 - 10	9502L-06050	11 - 4
90170-05302	3 - 10	90201-15700	16 - 7	90465-08805	8 - 20		34 - 3	93306-300X9	27 - 4		12 - 5
	3 - 13		16 - 23	90465-13152	33 - 46	91317-06030	30 - 29	93306-301YP	29 - 4		12 - 21
90170-06184	29 - 35	90201-158D1	32 - 7		42 - 14	91317-06100	1 - 22	93306-301YR	29 - 3	9502L-06060	11 - 3
90170-08258	29 - 22	90201-163H8	32 - 4	90467-08003	21 - 26	91317-10100	19 - 2	93306-305X7	2 - 7		12 - 25
90175-06013	32 - 14	90201-167P7	15 - 10	90467-08075	25 - 12	91401-20012	29 - 43	93306-906Y0	4 - 2	9502N-06020	8 - 10
90179-08674	19 - 8	90201-16803	13 - 6	90467-08092	8 - 5		32 - 15	93310-528X5	2 - 4	95304-08700	29 - 42
90179-10658	19 - 9	90201-25021	14 - 4	90467-09006	21 - 27	91401-25015	32 - 29	93340-212Y2	18 - 12	95307-06600	26 - 8
90179-10803	13 - 12	90201-26008	16 - 17		25 - 11		32 - 37	93410-20038	16 - 5		26 - 15
90179-12802	15 - 16	90202-05187	10 - 6	90467-10008	8 - 9	91401-30030	32 - 5	93410-22039	16 - 19		29 - 34
90179-14001	15 - 30	90202-05188	10 - 7	90467-10805	6 - 20		32 - 8	93450-16115	2 - 11	95307-08700	32 - 19
90179-25033	23 - 7	90202-05193	25 - 16	90467-12800	8 - 17	91811-10005	1 - 7	93503-16807	15 - 33	95607-06100	31 - 14
90183-04005	21 - 6	90202-15800	29 - 39	90467-13064	8 - 26	92017-05025	7 - 3	93602-08810	15 - 6	95607-10200	22 - 14
	33 - 24	90206-06090	10 - 5	90467-13802	8 - 30	92903-10200	28 - 15	93604-10011	18 - 13	95607-12200	29 - 29
90183-05807	20 - 8	90209-17285	16 - 4	90467-15012	8 - 28	92907-04600	39 - 9	93604-12831	17 - 5	95614-12100	22 - 8
	21 - 12	90209-18208	16 - 18		8 - 29	92907-05600	40 - 9	93822-15811	16 - 28	95617-08620	1 - 5
	21 - 29	90240-08145	32 - 28	90480-01558	19 - 14	92907-06600	32 - 16	94107-17822	27 - 6	95707-06500	18 - 20
	30 - 8		32 - 36		33 - 34		42 - 10	94107-17823	27 - 6	95707-08500	10 - 10
	30 - 13	90249-12008	32 - 13		39 - 11	92907-08200	29 - 11	94108-17822	29 - 41	95707-10500	10 - 11
	33 - 6	90280-03017	2 - 8	90480-01803	6 - 14	9290L-06200	40 - 6	94108-17823	29 - 24	95707-12500	34 - 5
	33 - 15	90340-14805	12 - 7	90480-13018	21 - 18	93101-10843	12 - 24	94222-17800	27 - 7	95807-06010	38 - 5
	33 - 25	90340-32810	12 - 9	90480-13568	12 - 14	93102-12891	18 - 5		29 - 25		42 - 18
	33 - 35	90387-06681	22 - 5	90480-13810	39 - 10	93102-16801	13 - 13	94222-17804	27 - 7	95807-06012	22 - 4
	39 - 7	90387-06804	20 - 4	90480-14872	26 - 13	93102-20892	16 - 27	94227-17803	29 - 25		23 - 13
90183-06802	8 - 23	90387-06844	12 - 15	90480-15363	6 - 10	93103-10801	5 - 2	94322-17800	27 - 8		23 - 16
90185-10808	23 - 10	90387-06875	8 - 32	90480-18418	33 - 16	93106-20816	27 - 3		29 - 26		23 - 18
90185-10811	27 - 12	90387-08813	10 - 17		33 - 26	93106-26815	29 - 17	94322-17858	27 - 8		23 - 20
90201-05725	21 - 5	90387-09802	33 - 17	90501-030A0	14 - 8	93210-068F7	18 - 19		29 - 26	95807-06020	21 - 17
90201-06071	6 - 12		33 - 27	90501-04801	15 - 14	93210-09806	4 - 3	94414-17888	27 - 9		33 - 18
	26 - 14	90387-09803	22 - 11	90501-06022	17 - 7	93210-11803	1 - 15	94416-17893	29 - 27		33 - 28
90201-06072	20 - 3		33 - 4	90501-06800	17 - 12	93210-148F8	12 - 8	94568-A8096	4 - 11		33 - 44
90201-060A3	26 - 7	90387-10277	27 - 10	90501-10245	32 - 12	93210-19809	5 - 15	94700-00867	1 - 18	95807-06025	12 - 13
90201-06557	33 - 19	90387-10810	32 - 41	90501-125E9	18 - 14	93210-198F9	12 - 23	94700-00870	1 - 18	95807-06035	33 - 3
	33 - 29	90387-127Y0	29 - 16	90501-18576	7 - 6	93210-21801	42 - 4	95027-06010	4 - 10	95807-08035	10 - 14
90201-08609	1 - 17	90387-12836	29 - 32	90506-12001	29 - 9	93210-26805	35 - 6		16 - 30	95817-10140	19 - 3
90201-08612	10 - 15	90401-10812	31 - 2	90506-15001	29 - 10	93210-32807	8 - 1		41 - 8	95827-06014	18 - 8
	30 - 3	90430-06014	1 - 4	90506-23804	32 - 20		8 - 6	95027-06012	5 - 12		22 - 10
90201-086P8	19 - 6		1 - 13	90506-35003	32 - 6	93210-328G3	12 - 10	95027-06014	1 - 11	95827-06016	6 - 11
90201-088N6	29 - 40		1 - 26	90508-29007	17 - 10	93210-34802	7 - 7	95027-06020	1 - 12		20 - 2
90201-10118	31 - 3	90430-12801	42 - 7	90508-40801	32 - 10	93210-418G7	29 - 5		6 - 4	95827-06020	26 - 21
90201-10141	10 - 13	90445-07812	25 - 8	90560-10292	27 - 2	93210-60800	7 - 11	95027-06025	5 - 11	95827-08016	32 - 22
90201-101J1	19 - 7	90445-08815	21 - 33	90560-12145	29 - 2	93210-84801	5 - 6		5 - 13	95827-08030	23 - 14
	27 - 13	90445-08819	21 - 34	91317-06012	41 - 11	93306-000Y3	5 - 10	95027-06050	5 - 14	95827-10045	10 - 12
90201-12019	15 - 15	90445-09823	21 - 24	91317-06014	14 - 9	93306-001X2	4 - 4	9502L-06012	7 - 13	97007-06016	41 - 2
90201-12023	22 - 7	90450-28801	6 - 16	91317-06016	4 - 18	93306-002X8	16 - 25	9502L-06020	7 - 10	97007-06025	25 - 5
90201-120T5	29 - 30		6 - 18		13 - 10	93306-004XC	29 - 18	9502L-06040	12 - 4	97007-08016	30 - 2
90201-122H1	34 - 6	90460-46206	8 - 22		34 - 4	93306-004XR	16 - 9		12 - 20	97027-06016	8 - 33

NUMERICAL INDEX

PART NO.	REF. NO.	PART NO.	REF. NO.	PART NO.	REF. NO.	PART NO.	REF. NO.	PART NO.	REF. NO.
97027-08020	18 - 24								
97507-04006	9 - 37								
97507-04008	9 - 7								
97507-04014	9 - 8								
97507-04018	9 - 9								
97707-40618	39 - 8								
97707-50012	21 - 4								
	30 - 9								
	30 - 17								
	40 - 10								
97707-50016	30 - 14								
	33 - 8								
	33 - 11								
	36 - 11								
	36 - 14								
	37 - 8								
	40 - 12								
98507-05016	30 - 24								
	40 - 8								
	42 - 5								
98507-05025	30 - 33								
98507-06012	26 - 11								
	42 - 9								
9850L-06008	40 - 5								
98517-06012	16 - 12								
98980-06010	10 - 4								
99009-15400	16 - 8								
	16 - 24								
99009-28400	15 - 8								
99480-05010	4 - 5								
99530-10114	1 - 20								
	1 - 21								
	11 - 2								
	12 - 3								
	12 - 19								
9X568-68111	29 - 36								