



PARTS CATALOGUE

T110SE (5TP4) INDONESIA

T110SE (5TP5) INDONESIA

T110SE
PARTS CATALOGUE
©2004 by Yamaha Motor Co., Ltd.
1st edition, February 2004
All rights reserved.
Any reprinting or unauthorized use
without the written permission of
Yamaha Motor Co., Ltd.
is expressly prohibited.
Printed in Japan.

FOREWORD

This Parts Catalogue is related to the parts for the model(s) on the cover page. When you are ordering replacement parts, please refer to this Parts Catalogue and quote both part numbers and part names correctly.

1. Modifications or additions which have been made after the issue of the Parts Catalogue will be announced in the Parts News.

It is advisable that you make the necessary corrections to the Parts Catalogue according to the Parts News.

2. Abbreviations

The following abbreviations are used in this Parts Catalogue.

“UR” Use specified parts number.

“UN” Use as many as needed.

“AP” Alternate Parts

“LM” Locally Made (Parts need to be ordered locally)

“F#” Frame No. (Applicable machine No.)

“O/S” Over Size

3. The number of components for assembly

- Parts, which are to be supplied in an assembly, are listed with a dot (.) in front of the part name as shown below.
- The numeral appearing to the right of each component part indicates the quantity of parts for each assembly unit.

PART NO.	DESCRIPTION	Q'TY	REMARKS
2F5-83310-60	FRONT FLASHER LIGHT ASSY	2	
115-83311-60	.BULB (6V-18W)	1	

4. Applicable colours of graphics are represented in the “REMARKS” as shown below.

PART NO.	DESCRIPTION	Q'TY	REMARKS
2N4-24110-00-X5	FUEL TANK COMP.	2	MXR
3J1-24240-10	.GRAPHIC, FUEL TANK	1	FOR MXR

5. Note that the illustrations for reference in finding parts numbers are not to be used for assembling. When assembling, please use the applicable service manual.

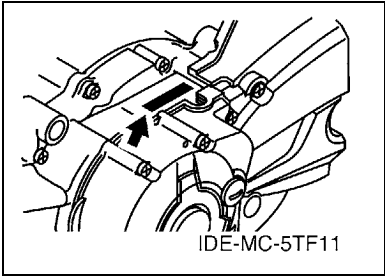
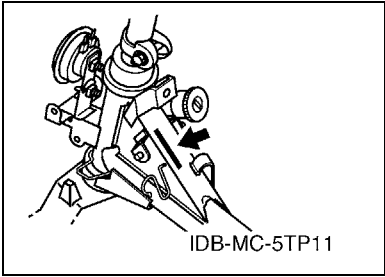
6. The asterisk (*) before a reference number indicates modified items after the first edition.

FOREWORD

7. Applicable Serial No.

Frame Serial No.

Engine Serial No.



8. Applicable Colour Code (The (*) mark shows Model colour.)

Abbreviation	Colour Name	Colour Code
CM	CHROME PLATED	0093
DPBMC(*)	DEEP PURPLISH BLUE METALLIC C	0564
PPBM2	PALE PURPLISH BLUE METALLIC 2	0771
RYC1(*)	REDDISH YELLOW COCKTAIL 1	0251
S3(*)	SILVER 3	0791
SL	SILVER	0035
VOM2	VIVID ORANGE METALLIC 2	0552
VRC1(*)	VIVID RED COCKTAIL 1	0121
YB(*)	YAMAHA BLACK	0033
ZB	*UNI-CHROME (WHITE CHROMATE)	0091
ZC	*UNI-CHROME (YELLOW CHROMATE)	0092
ZK	*UNI-CHROME (BLACK CHROMATE)	0090

9. Applicable Starting Serial No.

Frame Serial No.

Serial No.	Name Of Q'ty Column	Model Code

Engine Serial No.

Serial No.	Name Of Q'ty Column	Model Code

CONTENTS

ENGINE

CYLINDER HEAD	1
CRANKSHAFT & PISTON	3
VALVE	4
CAMSHAFT & CHAIN	5
OIL PUMP	6
INTAKE	7
CARBURETOR	8
EXHAUST	10
CRANKCASE	12
CRANKCASE COVER 1	13
STARTER	15
STARTER CLUTCH	16
CLUTCH	17
TRANSMISSION	19
SHIFT CAM & FORK	21
SHIFT SHAFT	22

CHASSIS

FRAME	24
FENDER	25
SIDE COVER	26
REAR ARM & SUSPENSION	28
STEERING	29
FRONT FORK	31
FUEL TANK	32
SEAT	33
FRONT WHEEL	34
FRONT BRAKE CALIPER	35
REAR WHEEL	36
STEERING HANDLE & CABLE	38
FRONT MASTER CYLINDER	40
STAND & FOOTREST	41
LEG SHIELD	43
GENERATOR	47
STARTING MOTOR	48
METER	49
HEADLIGHT	50
TAILLIGHT	51
HANDLE SWITCH & LEVER	52
ELECTRICAL 1	53
ELECTRICAL 2	54

INDEX

NUMERICAL INDEX	55
-----------------------	----

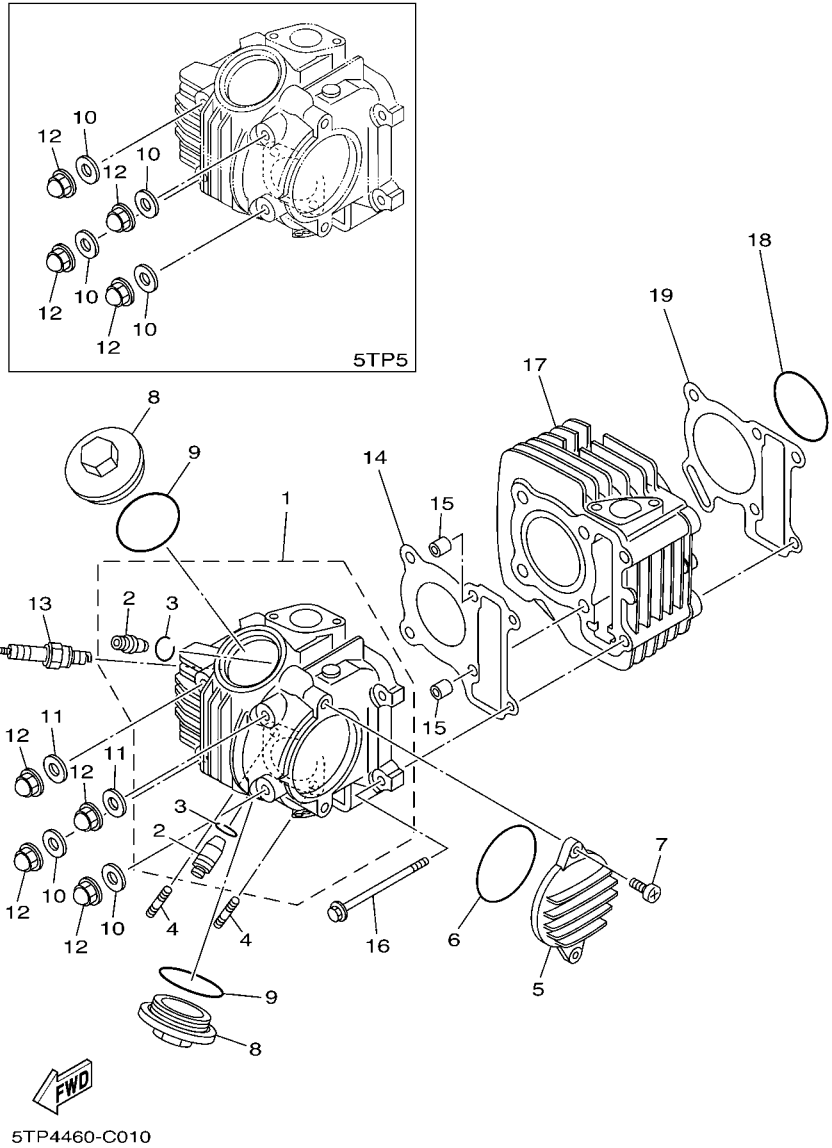
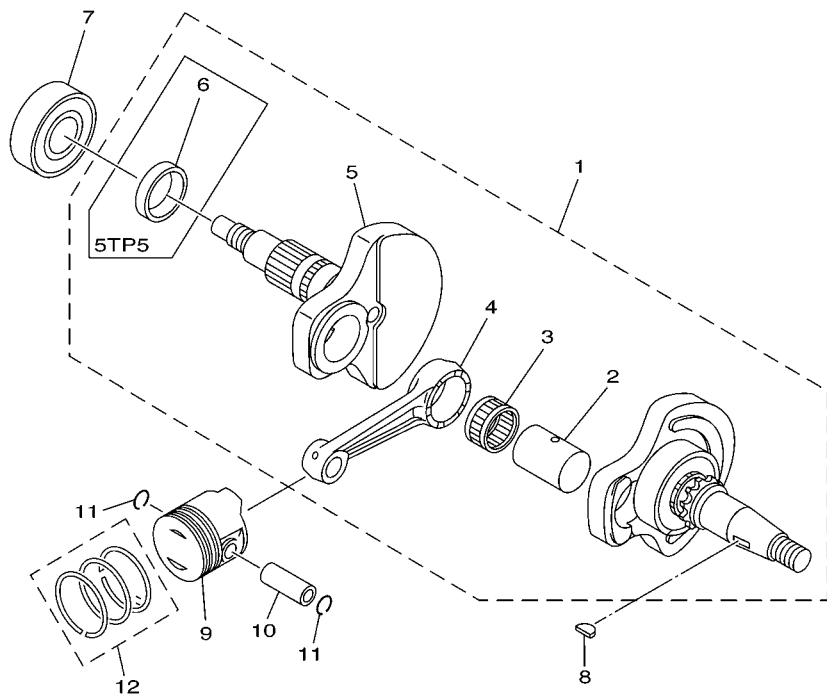


FIG. 1 CYLINDER HEAD

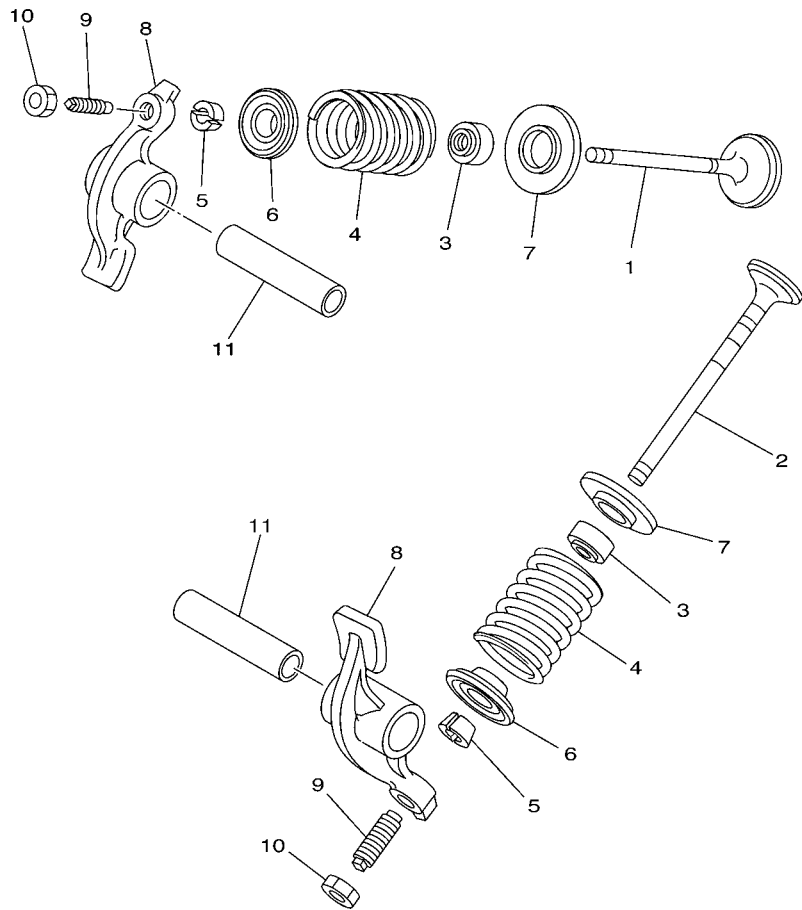
REF. NO.	PART NO.	DESCRIPTION	5TP4	5TP5			REMARKS
1	5TP-E1111-20	HEAD, CYLINDER 1	1				
	5TP-E1111-10	HEAD, CYLINDER 1		1			
2	5TN-E1134-00	.GUIDE, VALVE 2	2				
	4ST-11134-11	.GUIDE, VALVE 2		2			
3	93440-10153	.CIRCLIP	2	2			
4	90116-06804	BOLT, STUD	2	2			
5	4YS-E1185-00	COVER, CYLINDER HEAD SIDE 1	1				
	4ST-E1185-00	COVER, CYLINDER HEAD SIDE 1		1			
6	93210-628B6	O-RING	1				
	93210-638G6	O-RING		1			
7	98507-06016	SCREW, PAN HEAD	2	2			
8	4YS-E1186-00	COVER, CYLINDER HEAD SIDE 2	2				
	4ST-E1186-00	COVER, CYLINDER HEAD SIDE 2		2			
9	93210-44889	O-RING	2				
	93210-448G4	O-RING		2			
10	90201-08609	WASHER, PLATE	2				
	90201-08609	WASHER, PLATE		4			
11	92907-08200	WASHER	2				
12	90176-08805	NUT, CROWN	4				
	90176-08026	NUT, CROWN		4			
13	94700-00850	PLUG, SPARK (NGK C6HSA)	1	1			
14	5TN-E1181-00	GASKET, CYLINDER HEAD 1	1	1			
15	99530-10114	PIN, DOWEL	2	2			
16	95027-06090	BOLT, FLANGE	2	2			
17	5TN-E1310-00	CYLINDER	1				
	5TP-E1310-00	CYLINDER		1			
18	93210-56801	O-RING	1				




 5TP4460-C020

FIG. 2 CRANKSHAFT & PISTON

REF. NO.	PART NO.	DESCRIPTION	5TP4	5TP5		REMARKS
1	5TN-WE140-11	CRANKSHAFT ASSY	1			
	5TP-WE140-01	CRANKSHAFT ASSY		1		
2	5HV-E1681-00	.PIN, CRANK 1	1			
	5LM-E1681-00	.PIN, CRANK 1		1		
3	93310-526Y5	.BEARING	1	1		
4	5TN-E1651-01	.ROD, CONNECTING	1			
	5TN-E1651-02	.ROD, CONNECTING		1		
5	5TN-E1422-10	.CRANK 2	1			
	5TP-E1422-00	.CRANK 2		1		
6	5ER-E1445-00	.SPACER		1		
7	93306-205YK	BEARING	1			
	93306-205YG	BEARING		1		
8	90280-03017	KEY, WOODRUFF	1	1		
9	5TN-E1631-00	PISTON (STD)	1	1		
	5TN-E1636-00	PISTON (0.50MM O/S)	1	1		AP
	5TN-E1638-00	PISTON (1.00MM O/S)	1	1		AP
10	4YS-E1633-00	PIN, PISTON	1			
	5LM-E1633-00	PIN, PISTON		1		
11	93450-14088	CIRCLIP	2	2		
12	5TN-E1603-00	PISTON RING SET (STD)	1			
	5TP-E1603-00	PISTON RING SET (STD)		1		
	5TN-E1605-00	PISTON RING SET (0.50MM O/S)	1			AP
	5TP-E1605-00	PISTON RING SET (0.50MM O/S)		1		AP
	5TN-E1607-00	PISTON RING SET (1.00MM O/S)	1			AP
	5TP-E1607-00	PISTON RING SET (1.00MM O/S)		1		AP




5TP4460-C030

FIG. 3 VALVE

REF. NO.	PART NO.	DESCRIPTION	5TP4	5TP5		REMARKS
1	5TN-E2111-00	VALVE, INTAKE	1	1		
2	5TN-E2121-00	VALVE, EXHAUST	1	1		
3	5TN-E2119-00	SEAL, VALVE STEM	2			
	5ER-E2119-00	SEAL, VALVE STEM		2		
4	5TN-E2114-00	SPRING, VALVE OUTER	2			
	5TP-12114-00	SPRING, VALVE OUTER		2		
5	1WG-12118-00	COTTER, VALVE	4	4		
6	5TN-12117-00	RETAINER, VALVE SPRING	2	2		
7	5TN-E2126-00	SEAT, VALVE SPRING 2	2	2		
8	5VV-E2151-00	ARM, VALVE ROCKER	2			
	22F-12151-00	ARM, VALVE ROCKER		2		
9	22F-12159-00	SCREW, VALVE ADJUSTING	2	2		
10	90170-05302	NUT	2	2		
11	4YS-E2156-00	SHAFT, ROCKER 2	2			
	4ST-E2156-00	SHAFT, ROCKER 2		2		
<hr/>						
<hr/>						
<hr/>						
<hr/>						

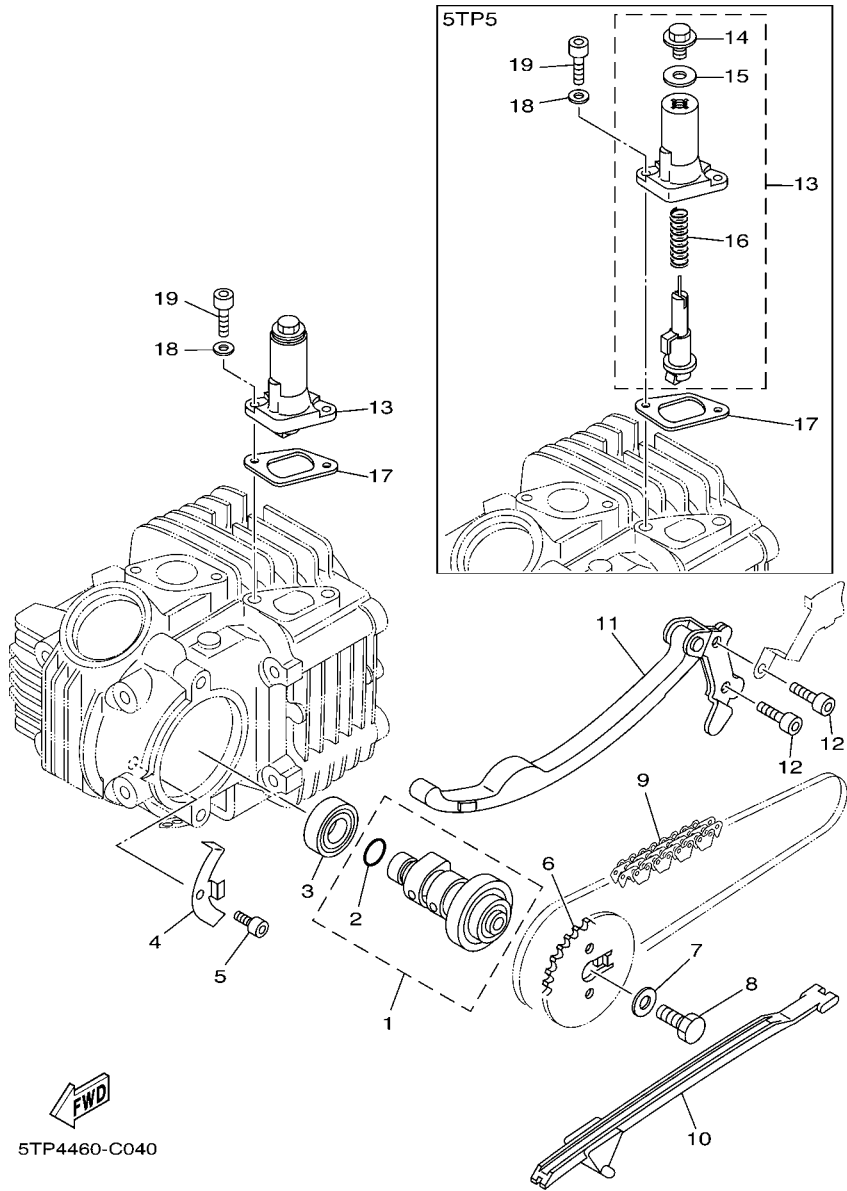
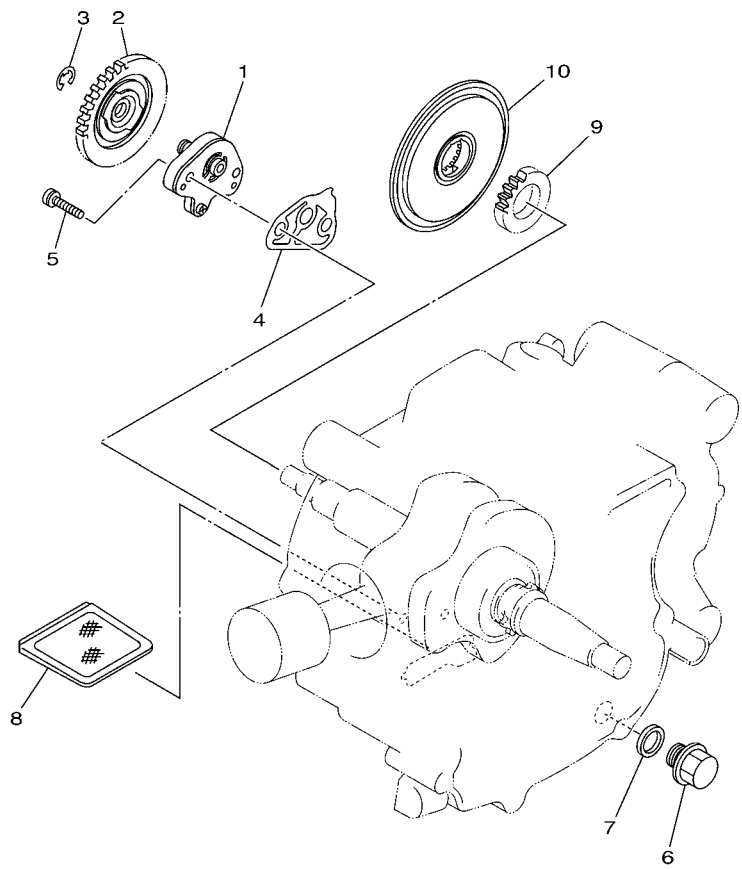


FIG. 4 CAMSHAFT & CHAIN

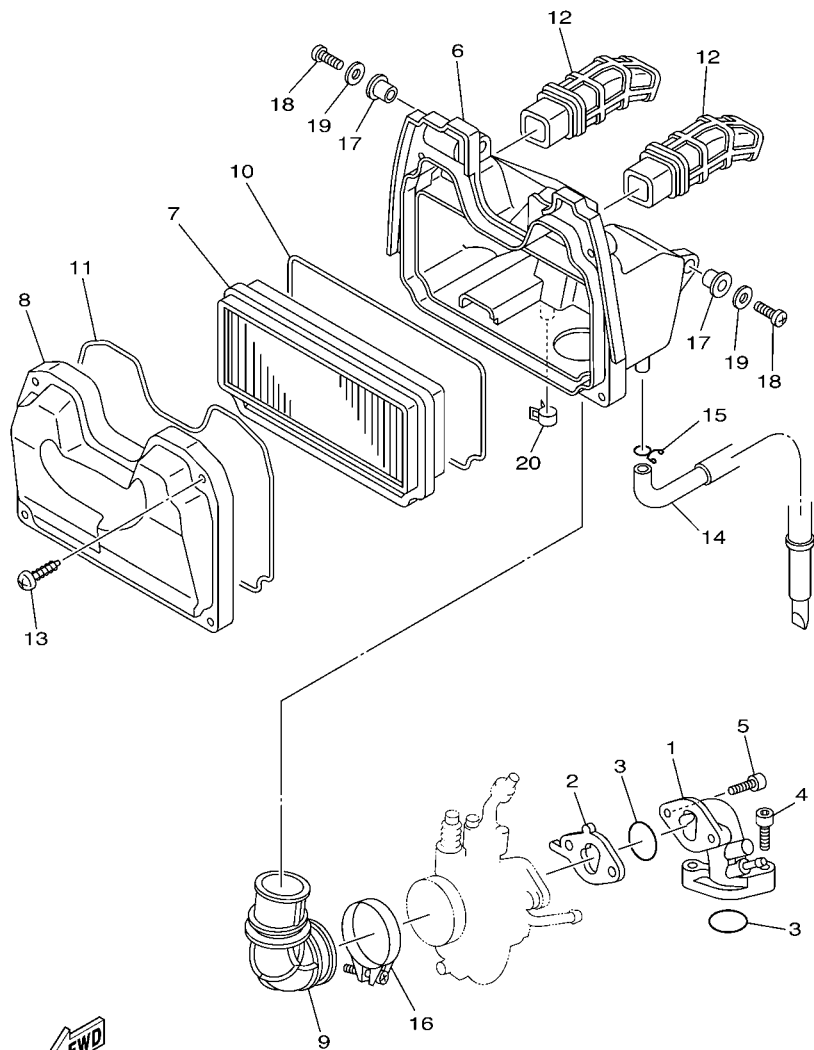
REF. NO.	PART NO.	DESCRIPTION	5TP4	5TP5	REMARKS
1	5TN-E2170-10	CAMSHAFT ASSY 1	1		
	5TP-E2170-00	CAMSHAFT ASSY 1		1	
2	93210-10805	.O-RING	1		
	93210-10804	.O-RING		1	
3	93306-002Y9	BEARING	1		
	93306-002X2	BEARING		1	
4	4YS-E111F-00	PLATE	1	1	
5	9131M-06012	BOLT	1		
	91317-06012	BOLT		1	
6	5TN-E2176-00	SPROCKET, CAM CHAIN (30T)	1	1	
7	90201-08326	WASHER, PLATE	1	1	
8	90101-08590	BOLT	1	1	
9	94568-79086	CHAIN	1	1	
10	5TN-E2231-10	GUIDE, STOPPER 1	1	1	
11	5TN-E2241-10	GUIDE, STOPPER 2	1	1	
12	91317-06016	BOLT	2	2	
13	5TN-E2210-00	TENSIONER ASSY, CAM CHAIN	1		
	4ST-12210-00	TENSIONER ASSY, CAM CHAIN		1	
14	4ST-12228-00	.BOLT	1		
15	4ST-12223-00	.GASKET	1		
16	4ST-12216-00	.SPRING	1		
17	5WT-E2213-00	GASKET, TENSIONER CASE	1		
	4ST-E2213-00	GASKET, TENSIONER CASE		1	
18	90430-06817	GASKET	2		
	90430-06014	GASKET		2	
19	91317-06016	BOLT	2	2	



5TN1431-B050

FIG. 5 OIL PUMP

REF. NO.	PART NO.	DESCRIPTION	5TP4	5TP5			REMARKS
1	5TN-E3104-00	OIL PUMP SUB ASSY	1				
	5TP-E3104-00	OIL PUMP SUB ASSY		1			
2	5TN-E3325-01	GEAR, PUMP DRIVEN	1				
	5TP-E3325-00	GEAR, PUMP DRIVEN		1			
3	99001-05600	CIRCLIP	1	1			
4	5TN-E3329-00	GASKET, PUMP COVER	1	1			
5	90155-06007	SCREW, FLAT FILLISTER	2	2			
6	90340-12806	PLUG, STRAIGHT SCREW	1				
	90340-12808	PLUG, STRAIGHT SCREW		1			
7	4YS-E1198-00	GASKET	1	1			
8	4YS-E3411-00	STRAINER, OIL	1				
	4ST-E3411-00	STRAINER, OIL		1			
9	5TN-E3324-00	GEAR, PUMP DRIVE	1	1			
10	5TN-E3451-00	FILTER, ROTARY	1				
	5TP-13451-00	FILTER, ROTARY		1			

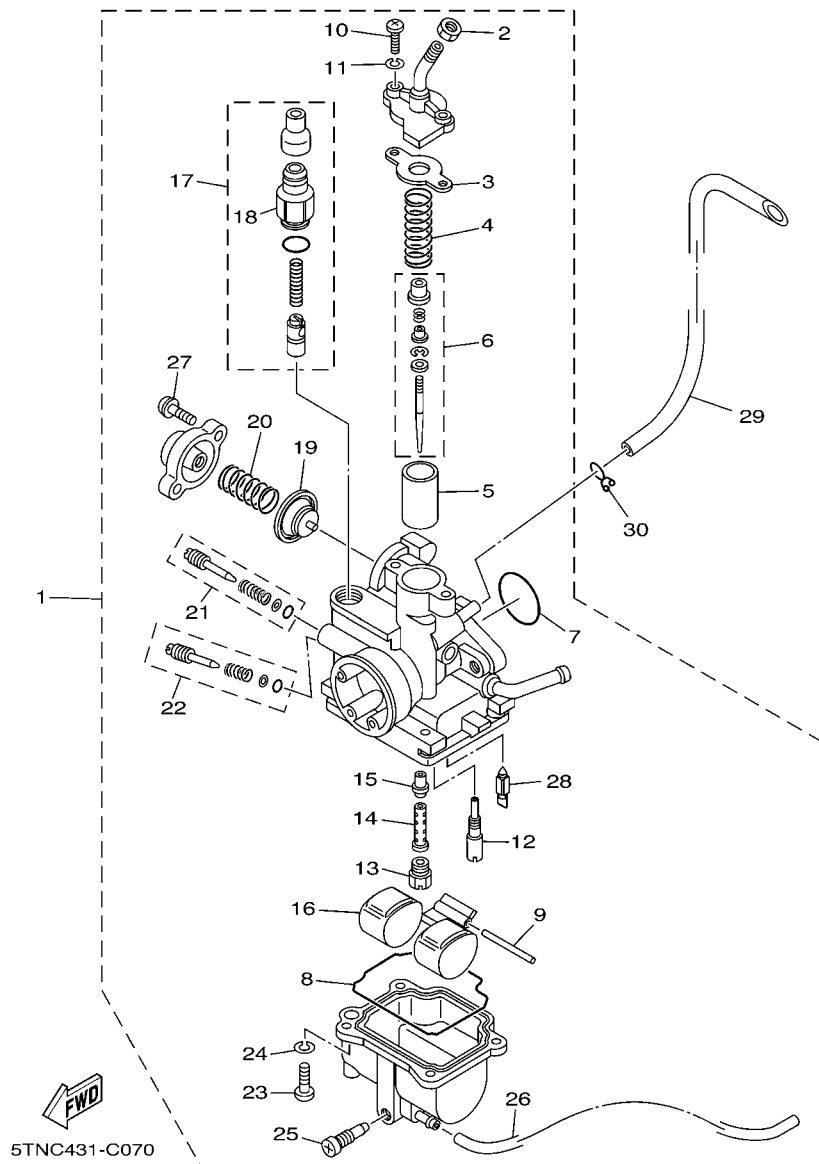


FWD
5TP1460-B060

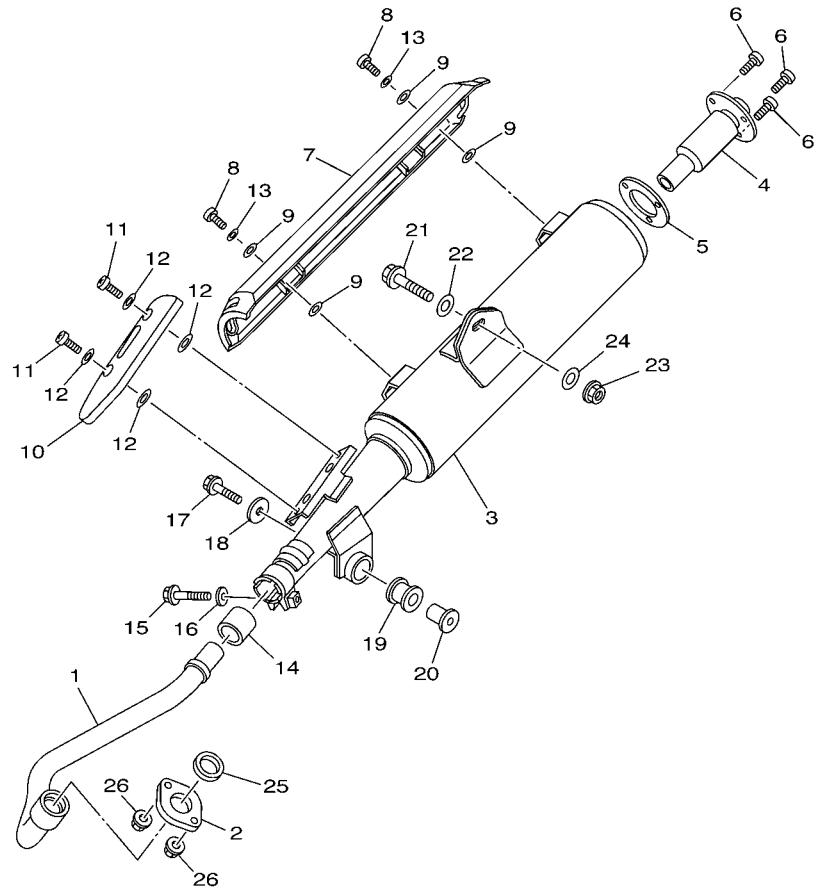
FIG. 6 INTAKE

REF. NO.	PART NO.	DESCRIPTION	5TP4	5TP5	REMARKS
1	5TF-E3586-00	JOINT, CARBURETOR 1	1	1	
2	5TN-13595-00	JOINT	1		
	5TN-E3595-00	JOINT		1	
3	93210-258G2	O-RING	2	2	
4	91317-06025	BOLT	2	2	
5	91317-06025	BOLT	2	2	
6	5TP-E4411-00	CASE, AIR CLEANER 1	1	1	
7	5TP-E4451-00	ELEMENT, AIR CLEANER	1	1	
8	5TP-E4412-00	CAP, CLEANER CASE 1	1	1	
9	5TP-E4453-00	JOINT, AIR CLEANER 1	1	1	
10	5TP-E4457-00	SEAL	1	1	
11	5TP-E4452-00	SEAL	1	1	
12	5TP-E4423-00	PIPE, SUCTION 1	2	2	
13	9770M-50030	SCREW, TAPPING	4	4	
14	5TP-E443E-00	PIPE, DRAIN	1	1	
15	90467-12800	CLIP	1	1	
16	90460-43053	CLAMP, HOSE	1	1	
17	90387-06803	COLLAR	2	2	
18	98507-06020	SCREW, PAN HEAD	2	2	
19	92907-06600	WASHER, PLATE	2	2	
20	90467-13064	CLIP	1	1	

FIG. 7 CARBURETOR



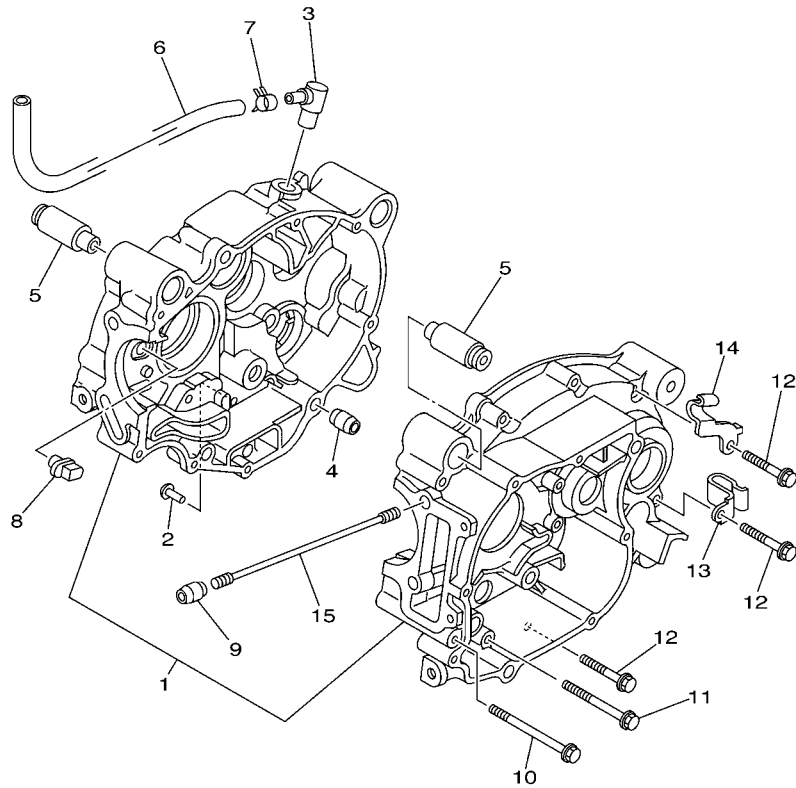
REF. NO.	PART NO.	DESCRIPTION	5TP4	5TP5		REMARKS
1	5TN-E4101-00	CARBURETOR ASSY 1	1	1		
2	802-14161-00	.NUT, CABLE ADJUSTING	1	1		
3	4NM-14198-00	.GASKET	1	1		
4	5TN-14131-00	.SPRING, THROTTLE VALVE	1	1		
5	5TN-14112-00	.VALVE, THROTTLE 1	1	1		
6	5TN-1490J-00	.NEEDLE SET	1	1		
7	5TN-14147-00	.O-RING	1	1		
8	4GL-14239-00	.SEAL	1	1		
9	353-14186-00	.PIN, FLOAT	1	1		
10	98507-04012	.SCREW, PAN HEAD	2	2		
11	92907-04100	.WASHER, SPRING	2	2		
12	2MM-14142-17	.JET, PILOT (# 17.5)	1	1		
13	18A-14143-21	.JET, MAIN (#105)	1	1		
14	5TN-14148-00	.PIPE	1	1		
15	5TN-14141-18	.NOZZLE, MAIN	1	1		
16	5DV-14985-00	.FLOAT	1	1		
17	5TN-1410A-00	.STARTER SET	1	1		
18	3RW-14174-00	.CAP, PLUNGER	1	1		
19	5TN-14940-00	.DIAPHRAGM ASSY	1	1		
20	5TN-24423-00	.SPRING, DIAPHRAGM	1	1		
21	4GL-14104-00	.AIR SCREW SET	1	1		
22	5TN-14103-00	.THROTTLE SCREW SET	1	1		
23	98507-04014	.SCREW, PAN HEAD	4	4		
24	92907-04100	.WASHER, SPRING	4	4		
25	5LW-14191-00	.PLUG, DRAIN	1	1		
26	32N-14196-00	.PIPE	1	1		
27	5TN-14216-00	.SCREW	2	2		



5TF1440-B080

FIG. 8 EXHAUST

REF. NO.	PART NO.	DESCRIPTION	5TP4	5TP5		REMARKS
1	5TP-E4611-00	PIPE, EXHAUST 1	1	1		
2	5TP-E4612-00	NUT, RING	1	1		
3	5TP-E4711-01-93	MUFFLER 1	1	1		CM
4	5TP-E479X-00-33	PIPE	1	1		YB
5	5TP-E4755-00	GASKET, SILENCER	1	1		
6	98507-06012	SCREW, PAN HEAD	3	3		
7	5TP-E4718-00	PROTECTOR, MUFFLER 1	1	1		
8	98980-06012	SCREW, BIND	2	2		
9	5TF-14766-00	WASHER, PROTECTOR	4	4		
10	5TP-E4728-00	PROTECTOR, MUFFLER 2	1	1		
11	98980-06012	SCREW, BIND	2	2		
12	4BD-14766-00	WASHER, PROTECTOR	4			
	5LM-E4766-00	WASHER, PROTECTOR		4		
13	90201-06557	WASHER, PLATE	2	2		
14	5TN-14714-00	GASKET, MUFFLER	1	1		
15	95027-08040	BOLT, FLANGE	1	1		
16	90201-08326	WASHER, PLATE	1	1		
17	95807-08035	BOLT, FLANGE	1	1		
18	90201-08612	WASHER, PLATE	1	1		
19	4XV-27424-00	DAMPER, MUFFLER	1			
	5TP-E4747-00	DAMPER, MUFFLER		1		
20	90387-08813	COLLAR	1	1		
21	95827-10045	BOLT, FLANGE	1	1		
22	92907-10200	WASHER, PLAIN	1	1		
23	95707-10500	NUT, FLANGE	1	1		
24	90201-10669	WASHER, PLATE	1	1		
25	5WT-E4613-00	GASKET, EXHAUST PIPE	1	1		



5TN1431-B091

FIG. 9 CRANKCASE

REF. NO.	PART NO.	DESCRIPTION	5TP4	5TP5			REMARKS
1	5TN-E5150-00	CRANKCASE ASSY	1				
	5TP-E5150-00	CRANKCASE ASSY		1			
2	5HV-E6346-00	HOOK, SPRING	1	1			
3	4YS-E5371-00	BREATHER	1				
	4ST-E5371-00	BREATHER		1			
4	99530-10114	PIN, DOWEL	2	2			
5	4YS-E5316-00	DAMPER, ENGINE MOUNT 1	2	2			
6	5TN-E1166-00	PIPE, BREATHER 1	1	1			
7	90467-13064	CLIP	1	1			
8	5TN-E5155-00	NOZZLE 3	1	1			
9	99530-10114	PIN, DOWEL	2	2			
10	9502L-06080	BOLT, FLANGE	1	1			
11	9502L-06060	BOLT, FLANGE	3	3			
12	9502L-06040	BOLT, FLANGE	5	5			
13	90465-10833	CLAMP	1	1			
14	90462-10801	CLAMP	1	1			
15	90116-08807	BOLT, STUD	4				
	90116-08597	BOLT, STUD		4			

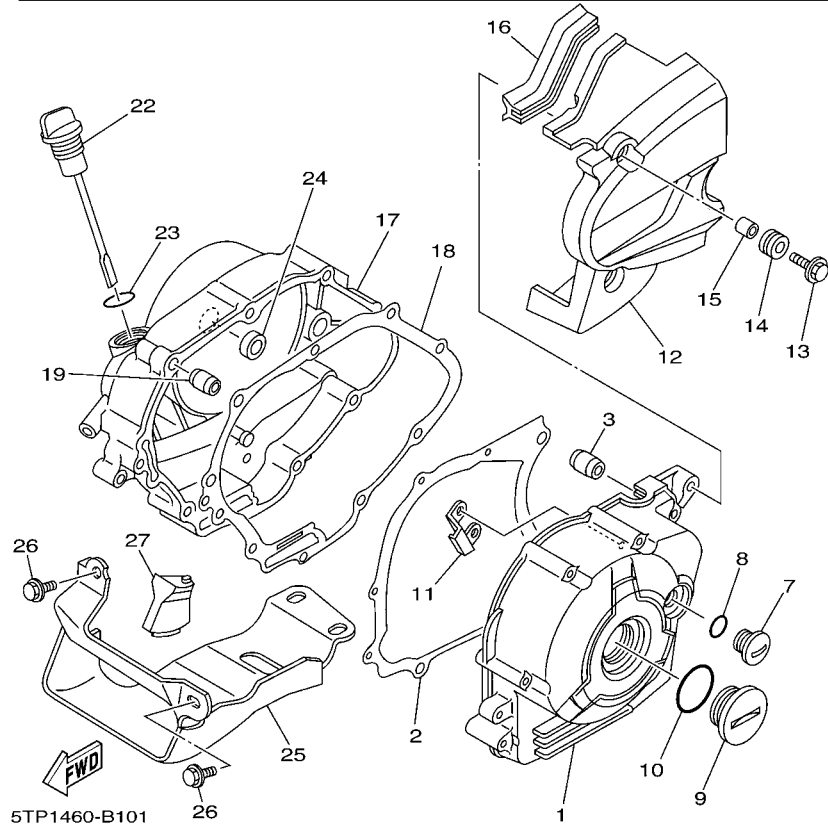
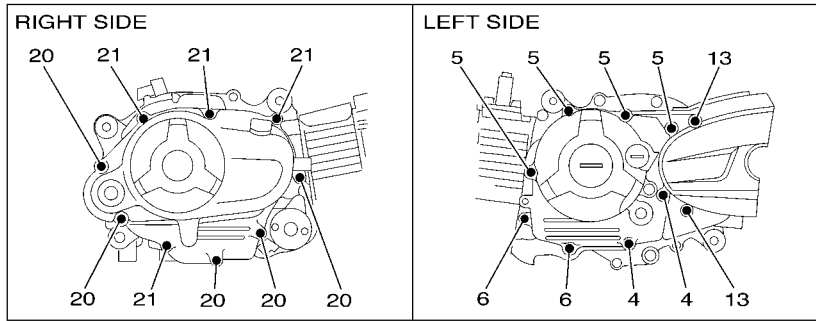


FIG. 10 CRANKCASE COVER 1

REF. NO.	PART NO.	DESCRIPTION	5TP4	5TP5	REMARKS
1	5TP-E5411-00	COVER, CRANKCASE 1	1		
	5TP-E5411-10	COVER, CRANKCASE 1		1	
2	5WT-E5451-00	GASKET, CRANKCASE COVER 1	1		
	4ST-E5451-01	GASKET, CRANKCASE COVER 1		1	
3	99530-10114	PIN, DOWEL	2	2	
4	9502L-06040	BOLT, FLANGE	2	2	
5	9502L-06050	BOLT, FLANGE	4	4	
6	9502L-06080	BOLT, FLANGE	2	2	
7	90340-14805	PLUG, STRAIGHT SCREW	1	1	
8	93210-14899	O-RING	1		
	93210-148F8	O-RING		1	
9	90340-32804	PLUG, STRAIGHT SCREW	1	1	
10	93210-32803	O-RING	1		
	93210-328G3	O-RING		1	
11	5TN-E5113-00	PLATE	1	1	
12	5TP-E5418-00-35	COVER, CHAIN CASE	1	1	SL
13	95807-06025	BOLT, FLANGE	2	2	
14	90480-13568	GROMMET	2	2	
15	90387-06844	COLLAR	2	2	
16	5LM-E5492-00	COVER	1	1	
17	5TP-E5421-00	COVER, CRANKCASE 2	1		
	5LM-E5421-00	COVER, CRANKCASE 2		1	
18	5WT-E5461-00	GASKET, CRANKCASE COVER 2	1		
	4ST-E5461-11	GASKET, CRANKCASE COVER 2		1	
19	99530-10114	PIN, DOWEL	2	2	
20	9502L-06040	BOLT, FLANGE	5	5	
21	9502L-06050	BOLT, FLANGE	4	4	

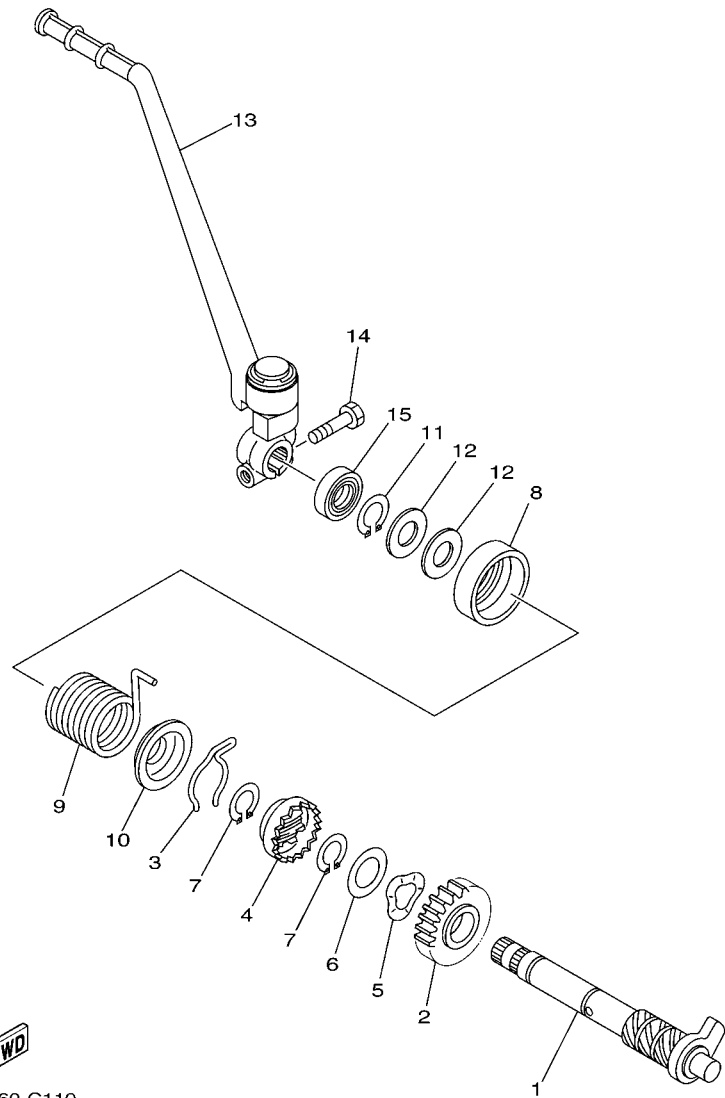
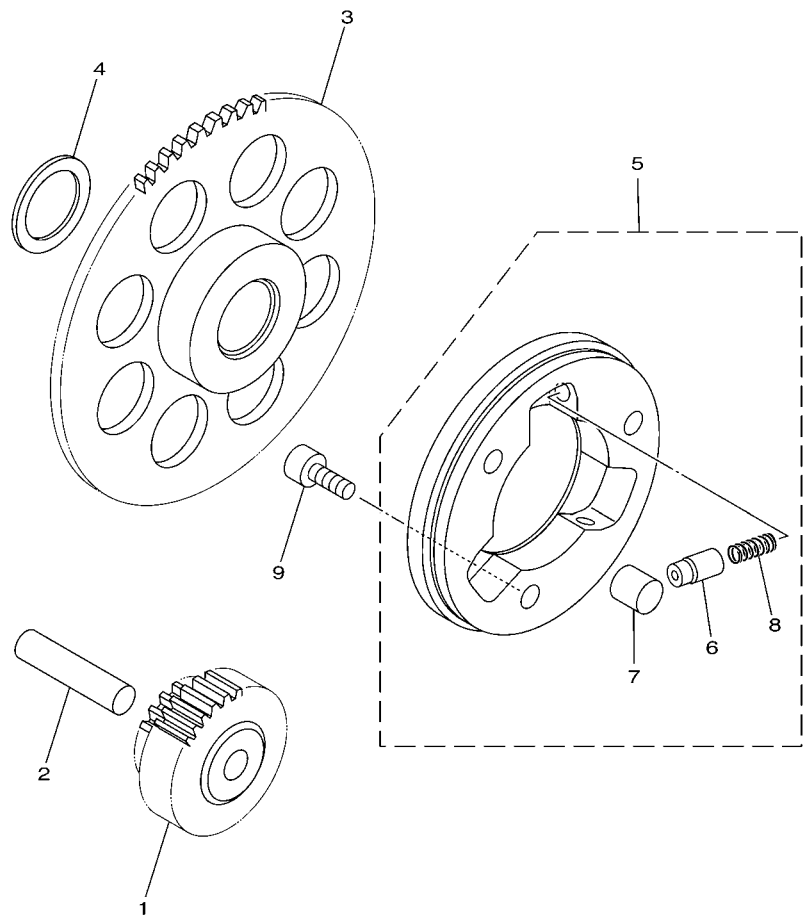


FIG. 11 STARTER

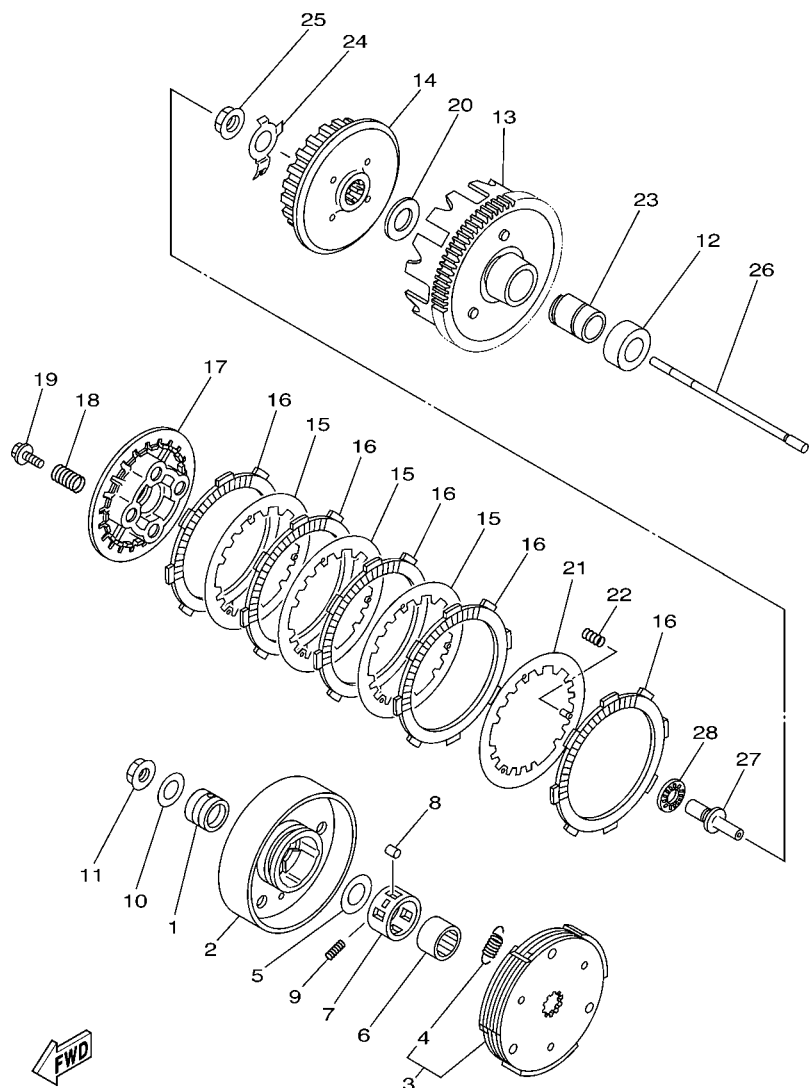
REF. NO.	PART NO.	DESCRIPTION	5TP4	5TP5		REMARKS
1	5LN-E5660-00	KICK AXLE ASSY	1			
	5LM-E5660-00	KICK AXLE ASSY		1		
2	4YS-E5641-00	GEAR, KICK	1			
	5LM-E5641-00	GEAR, KICK		1		
3	90468-23194	CLIP	1	1		
4	4NR-E5671-00	WHEEL, RATCHET	1			
	4WH-E5671-00	WHEEL, RATCHET		1		
5	90206-19027	WASHER, WAVE	1	1		
6	3NA-E5644-00	SHIM	1			
	4WH-E5644-00	SHIM		1		
7	99009-19400	CIRCLIP	2	2		
8	4YS-E5676-00	COVER, SPRING	1			
	4ST-E5676-00	COVER, SPRING		1		
9	90508-26016	SPRING, TORSION	1	1		
10	5HV-E5664-00	GUIDE, SPRING	1			
	5LM-E5664-00	GUIDE, SPRING		1		
11	99009-15400	CIRCLIP	1	1		
12	90201-15700	WASHER, PLATE	2	2		
13	5LM-E5620-00	KICK CRANK ASSY	1	1		
14	97017-06025	BOLT	1	1		
15	93102-15882	OIL SEAL	1			
	93102-15890	OIL SEAL		1		



5TN1431-B120

FIG. 12 STARTER CLUTCH

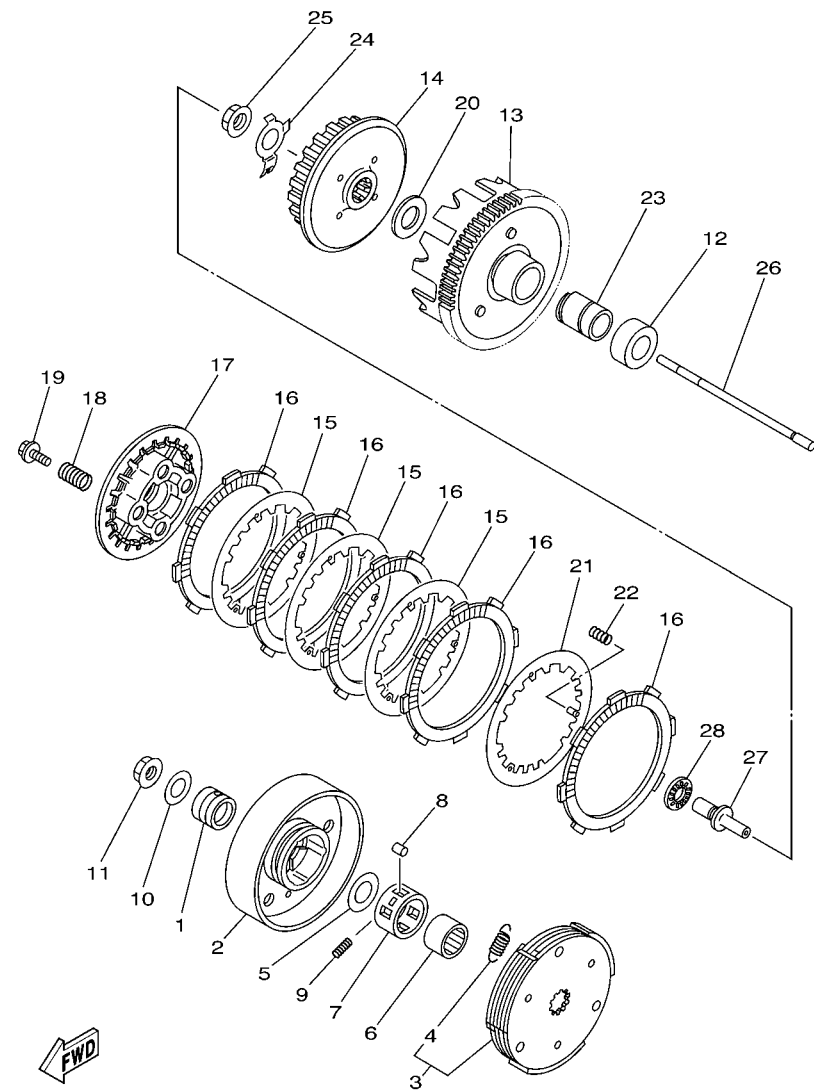
REF. NO.	PART NO.	DESCRIPTION	5TP4	5TP5		REMARKS
1	5WV-E5512-00	GEAR, IDLER 1	1			
	5TN-E5512-00	GEAR, IDLER 1		1		
2	93608-43157	PIN, DOWEL	1	1		
3	5TN-E5524-00	WHEEL, STARTER	1	1		
4	3NA-E5644-00	SHIM	1			
	4WH-E5644-00	SHIM		1		
5	5HV-E5580-00	STARTER CLUTCH OUTER ASSY	1			
	3AY-15580-01	STARTER CLUTCH OUTER ASSY		1		
6	5HV-E5583-00	.CAP, STARTER CLUTCH SPRING	3			
	3AY-15583-00	.CAP, STARTER CLUTCH SPRING		3		
7	93610-10174	.PIN, DOWEL	3	3		
8	90501-02639	.SPRING, COMPRESSION	3	3		
9	9131M-06012	BOLT	3			
	91317-06012	BOLT		3		



5TN3431-B130

FIG. 13 CLUTCH

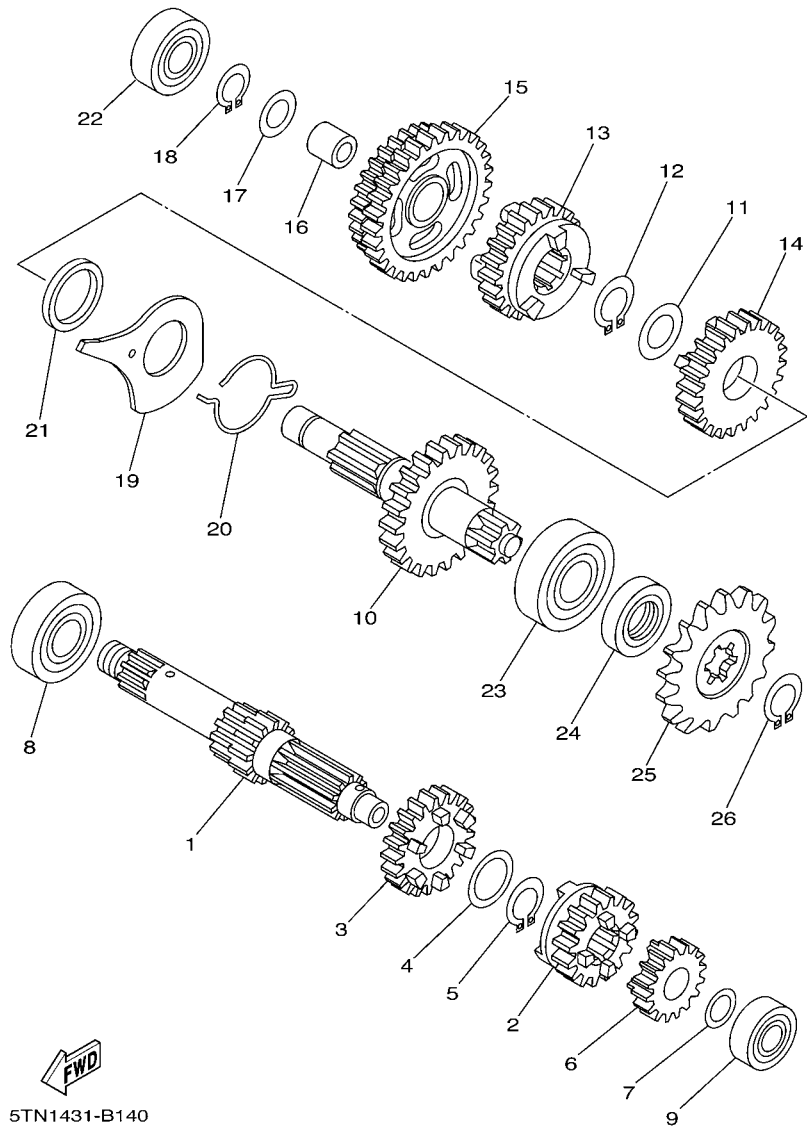
REF. NO.	PART NO.	DESCRIPTION	5TP4	5TP5	REMARKS
1	90387-16803	COLLAR	1	1	
2	5TN-E6611-20	CLUTCH HOUSING COMP.	1	1	UR F.C.C.
	5TN-E6611-30	CLUTCH HOUSING COMP.	1		UR AISIN CHEMICAL
3	5TN-E6620-01	CLUTCH CARRIER ASSY	1	1	UR F.C.C.
	5TN-E6620-10	CLUTCH CARRIER ASSY	1		UR AISIN CHEMICAL
4	321-04G10-00	.SPRING, CLUTCH WEIGHT 1	3	3	UR F.C.C.
	5TN-E6626-10	.SPRING, CLUTCH WEIGHT 1	3		UR AISIN CHEMICAL
5	90201-167P7	WASHER, PLATE	1	1	
6	5WT-E6512-00	BOSS, CLUTCH HOUSING	1		
	5LM-E6512-00	BOSS, CLUTCH HOUSING		1	
7	5WT-E6586-00	CAGE	1	1	
8	93606-10800	PIN, DOWEL	3	3	
9	90501-04800	SPRING, COMPRESSION	1	1	
10	90201-12019	WASHER, PLATE	1	1	
11	90179-12659	NUT	1		
	90179-12813	NUT		1	
12	90560-17384	SPACER	1	1	
13	5TN-E6150-10	PRIMARY DRIVEN GEAR COMP.	1	1	
14	5TN-E6371-00	BOSS, CLUTCH	1	1	
15	5TN-E6324-00	PLATE, CLUTCH 1	3	3	
16	5TN-E6321-00	PLATE, FRICTION	5	5	
17	5TN-E6351-00	PLATE, PRESSURE 1	1	1	
18	90501-203G2	SPRING, COMPRESSION	4	4	
19	90119-05827	BOLT, WITH WASHER	4	4	
20	90201-178J5	WASHER, PLATE	1	1	
21	5TN-E6350-00	PRESSURE PLATE ASSY	1	1	
22	90501-050F1	SPRING, COMPRESSION	3	3	



5TN3431-B130

FIG. 13 CLUTCH

REF. NO.	PART NO.	DESCRIPTION	5TP4	5TP5	REMARKS
23	90387-17800	COLLAR	1		
	90387-17004	COLLAR		1	
24	5TN-E6135-00	WASHER, LOCK	1	1	
25	90179-14001	NUT	1	1	
26	5HV-E6357-00	ROD, PUSH 2	1		
	5LM-E6357-00	ROD, PUSH 2		1	
27	4YS-E6356-00	ROD, PUSH 1	1		
	2JG-16356-00	ROD, PUSH 1		1	
28	93340-210Y3	BEARING	1		
	93340-210Y0	BEARING		1	



5TN1431-B140

FIG. 14 TRANSMISSION

REF. NO.	PART NO.	DESCRIPTION	5TP4	5TP5		REMARKS
1	4YS-E7411-00	AXLE, MAIN (12T)	1			
	4ST-E7411-00	AXLE, MAIN (12T)		1		
2	5TN-E7131-00	GEAR, 3RD PINION (21T)	1			
	5TP-E7131-00	GEAR, 3RD PINION (21T)		1		
3	5TN-E7141-01	GEAR, 4TH PINION (21T)	1			
	5TP-E7141-00	GEAR, 4TH PINION (21T)		1		
4	90201-20266	WASHER, PLATE (T=1.0)	1	1		
5	93410-20809	CIRCLIP	1			
	93410-20038	CIRCLIP		1		
6	5TN-E7121-00	GEAR, 2ND PINION (17T)	1			
	5TP-E7121-00	GEAR, 2ND PINION (17T)		1		
7	90201-128C9	WASHER, PLATE	1			
	90201-12166	WASHER, PLATE		1		
8	93306-203YR	BEARING	1	1		
9	93306-001Y7	BEARING	1	1		
10	5TN-E7402-00	DRIVE AXLE ASSY (33T)	1			
	5TP-E7402-00	DRIVE AXLE ASSY (33T)		1		
11	90201-20266	WASHER, PLATE (T=1.0)	1	1		
12	93410-20809	CIRCLIP	1			
	93410-20038	CIRCLIP		1		
13	5TN-E7241-01	GEAR, 4TH WHEEL (23T)	1			
	5TP-E7241-00	GEAR, 4TH WHEEL (23T)		1		
14	5TN-E7231-00	GEAR, 3RD WHEEL (29T)	1			
	5TP-E7231-00	GEAR, 3RD WHEEL (29T)		1		
15	5TN-E7211-00	GEAR, 1ST WHEEL (30T/38T)	1			
	5TP-E7211-00	GEAR, 1ST WHEEL (30T/38T)		1		
16	90387-1503D	COLLAR	1	1		

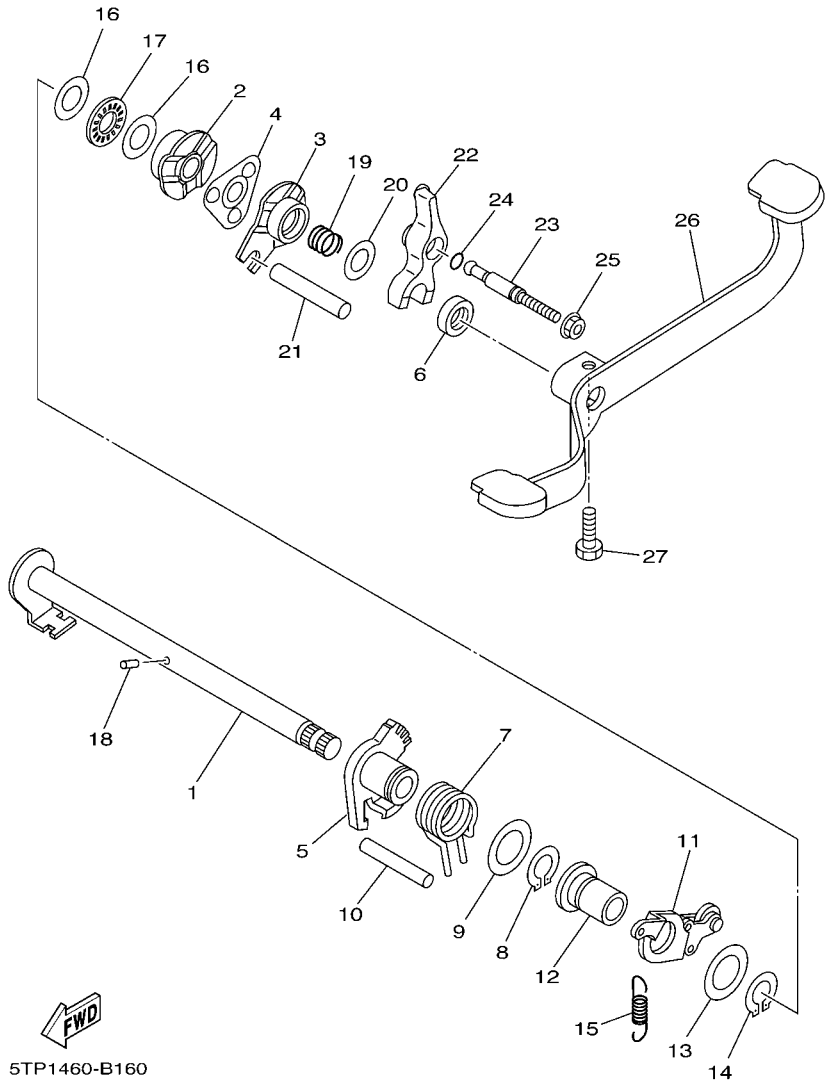
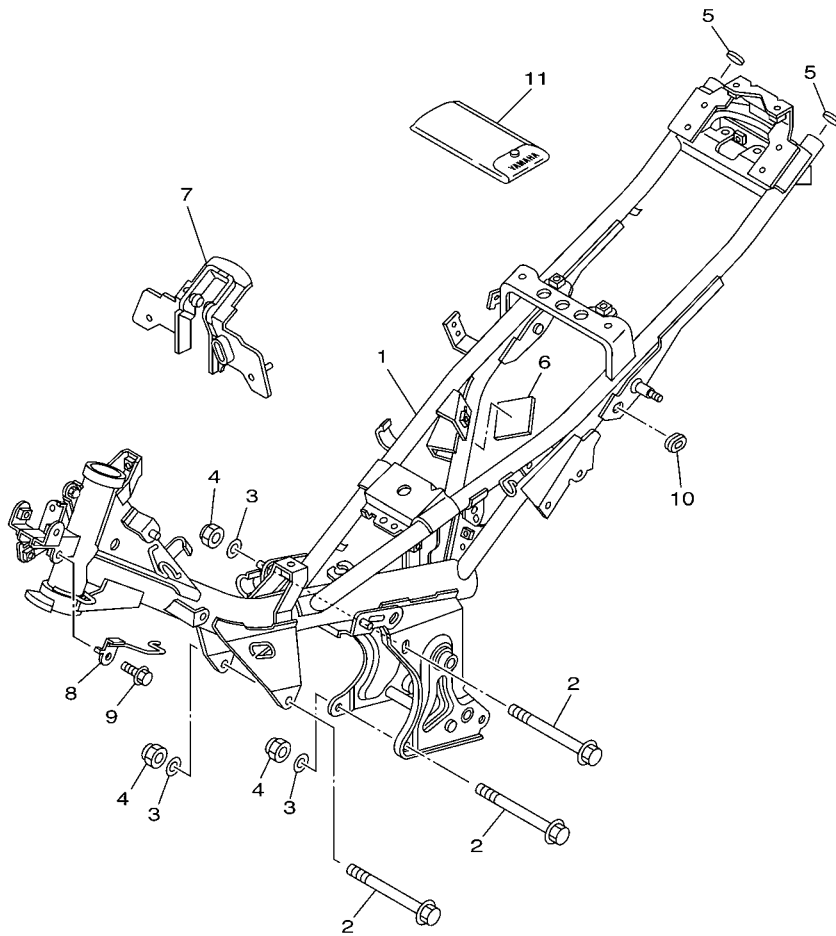


FIG. 16 SHIFT SHAFT

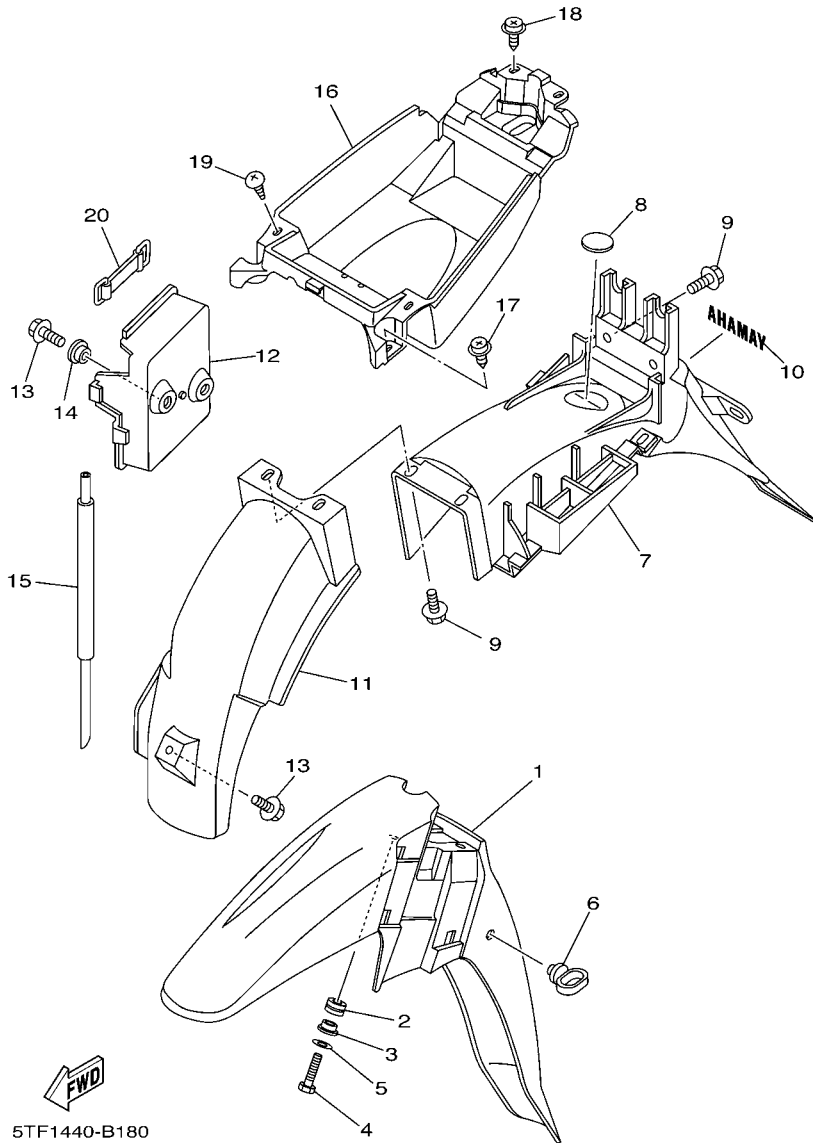
REF. NO.	PART NO.	DESCRIPTION	5TP4	5TP5	REMARKS
1	5HV-E8101-00	SHIFT SHAFT ASSY	1	1	
2	5HV-E8179-00	GUIDE	1	1	
3	5HV-E8172-00	GUIDE, SHIFT	1	1	
4	4YS-E8181-00	HOLDER, PAWL	1	1	
5	5WT-E8152-00	LEVER, SHIFT 4	1	1	
6	93102-12883	OIL SEAL	1		
	93102-12891	OIL SEAL		1	
7	90508-29007	SPRING, TORSION	1	1	
8	99009-20400	CIRCLIP	1	1	
9	90201-208G4	WASHER, PLATE	1		
	90201-20276	WASHER, PLATE (T=1.0)		1	
10	93608-50149	PIN, DOWEL	1	1	
11	5TN-E8140-00	STOPPER LEVER ASSY	1	1	
12	5TN-E8699-00	BOSS 1	1		
	5TP-E8699-00	BOSS 1		1	
13	90201-177G4	WASHER, PLATE	1		
	90201-178D3	WASHER, PLATE		1	
14	99009-17400	CIRCLIP	1	1	
15	5TN-E8337-00	SPRING	1	1	
16	90201-127F4	WASHER, PLATE	2	2	
17	93340-212Y2	BEARING	1	1	
18	93604-10011	PIN, DOWEL	1	1	
19	90501-125E9	SPRING, COMPRESSION	1	1	
20	90201-126A7	WASHER, PLATE	1	1	
21	5HV-E8173-00	PIN, SHIFT	1		
	5LM-E8173-00	PIN, SHIFT		1	
22	5WT-E817A-00	ARM, SHIFT 3	1	1	



5TP1460-B170

FIG. 17 FRAME

REF. NO.	PART NO.	DESCRIPTION	5TP4	5TP5			REMARKS
1	5TP-F1110-00-33	FRAME COMP.	1	1			YB
2	95817-08120	BOLT, FLANGE	3	3			
3	90201-086P8	WASHER, PLATE	3	3			
4	95607-08200	NUT, SELF-LOCKING	3	3			
5	5TP-F139R-00	COVER 2	2	2			
6	5TP-F139X-00	DAMPER	1	1			
7	5TP-F117R-00	COVER 4	1	1			
8	5TP-F1679-00	HOLDER, HARNESS	1	1			
9	95807-06010	BOLT, FLANGE	1	1			
10	90480-01558	GROMMET	4	4			
11	5LM-F8100-00	TOOL KIT	1	1			UR
	5LM-F8100-10	TOOL KIT	1	1			UR



5TF1440-B180

FIG. 18 FENDER

REF. NO.	PART NO.	DESCRIPTION	5TP4	5TP5	REMARKS
1	5TP-F1511-00-33	FENDER, FRONT	1	1	UR YB
	5TP-F1511-00-P1	FENDER, FRONT	1	1	UR VRC1
	5TP-F1511-00-P2	FENDER, FRONT	1	1	UR DPBMC
	5TP-F1511-00-P3	FENDER, FRONT	1	1	UR RYC1
	5TP-F1511-00-P4	FENDER, FRONT	1	1	UR S3
2	90480-12314	GROMMET	3	3	
3	90387-06803	COLLAR	3	3	
4	97027-06020	BOLT	3	3	
5	92907-06600	WASHER, PLATE	3	3	
6	4ST-F1518-00	HOLDER, CABLE	1	1	
7	5LL-F1611-00	FENDER, REAR	1	1	
8	4ST-F139R-00	COVER 2	1	1	
9	90119-06044	BOLT, WITH WASHER	4	4	
10	99241-00080	EMBLEM, YAMAHA	1	1	
11	5TP-F1642-00	GUARD, FLAP	1	1	
12	5TP-F177G-00	BOX, BATTERY	1	1	
13	90119-06044	BOLT, WITH WASHER	3	3	
14	90387-06838	COLLAR	2	2	
15	90445-08816	HOSE (L350)	1	1	
16	5LM-F160E-00	BOX	1	1	
17	90159-06181	SCREW, WITH WASHER	2	2	
18	90159-06067	SCREW, WITH WASHER	2	2	
19	97707-50014	SCREW, TAPPING	2	2	
20	4ST-H2131-00	BAND, BATTERY	1	1	

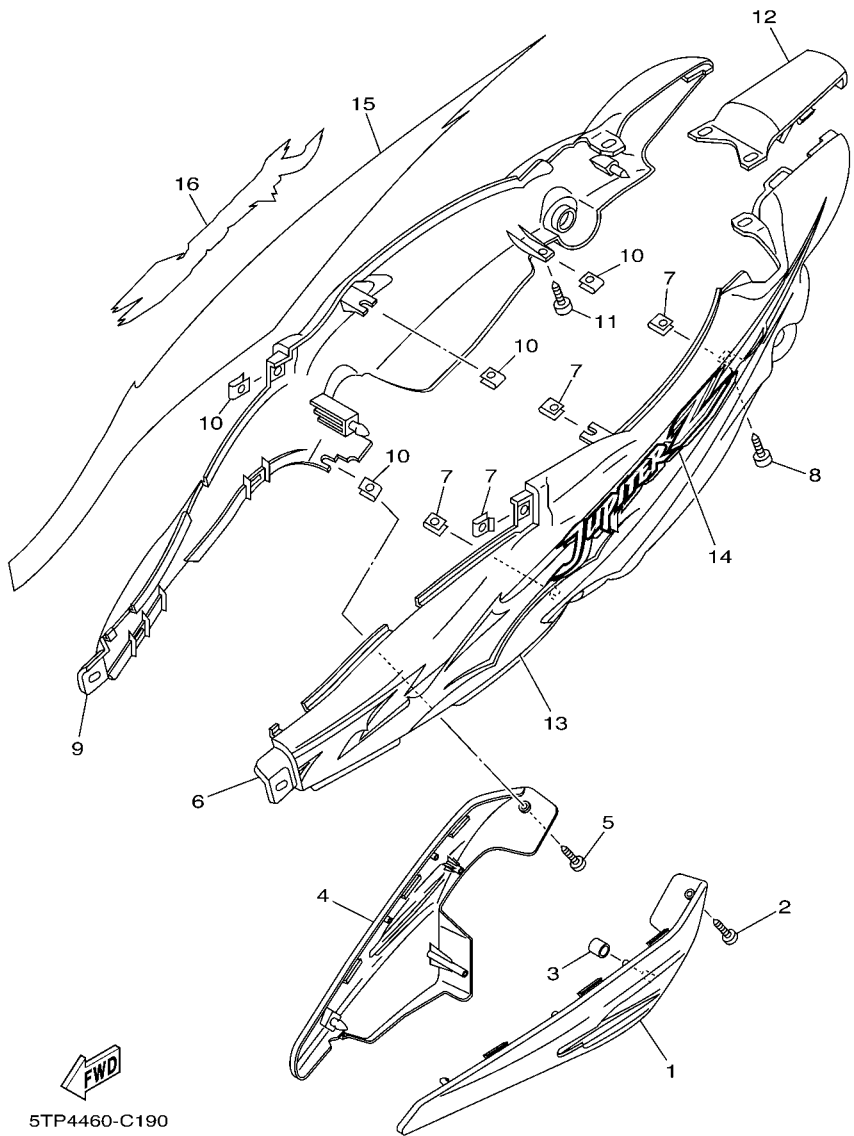


FIG. 19 SIDE COVER

REF. NO.	PART NO.	DESCRIPTION	5TP4	5TP5	REMARKS
1	5LL-F1711-00	COVER, SIDE 1	1	1	
2	97707-50014	SCREW, TAPPING	1	1	
3	3XA-F622F-00	DAMPER, LOCATING 1	1	1	
4	5LL-F1721-01	COVER, SIDE 2	1	1	
5	97707-50014	SCREW, TAPPING	1	1	
6	5LL-F1731-10-P0	COVER, SIDE 3	1	1	VOM2 FOR YB
	5LL-F1731-10-33	COVER, SIDE 3	1	1	YB FOR VRC1,RYC1
	5LL-F1731-10-P4	COVER, SIDE 3	1	1	PPBM2 FOR DPBMC
	5LL-F1731-10-P8	COVER, SIDE 3	1	1	DPBMC FOR S3
	5LL-F1731-10-PB	COVER, SIDE 3	1	1	S3 FOR YB
7	90183-05807	NUT, SPRING	4	4	
8	97707-50014	SCREW, TAPPING	1	1	
9	5LL-F1741-10-P0	COVER, SIDE 4	1	1	VOM2 FOR YB
	5LL-F1741-10-33	COVER, SIDE 4	1	1	YB FOR VRC1,RYC1
	5LL-F1741-10-P4	COVER, SIDE 4	1	1	PPBM2 FOR DPBMC
	5LL-F1741-10-P8	COVER, SIDE 4	1	1	DPBMC FOR S3
	5LL-F1741-10-PB	COVER, SIDE 4	1	1	S3 FOR YB
10	90183-05807	NUT, SPRING	4	4	
11	97707-50014	SCREW, TAPPING	1	1	
12	5LL-F171E-00-P0	COVER, SIDE 5	1	1	VOM2 FOR YB
	5LL-F171E-00-33	COVER, SIDE 5	1	1	YB FOR VRC1,RYC1
	5LL-F171E-00-P4	COVER, SIDE 5	1	1	PPBM2 FOR DPBMC
	5LL-F171E-00-P8	COVER, SIDE 5	1	1	DPBMC FOR S3
	5LL-F171E-00-PB	COVER, SIDE 5	1	1	S3 FOR YB
13	5TP-F173E-40	GRAPHIC 1	1	1	UR FOR YB
	5TP-F173E-50	GRAPHIC 1	1	1	UR FOR VRC1
	5TP-F173E-60	GRAPHIC 1	1	1	UR FOR DPBMC

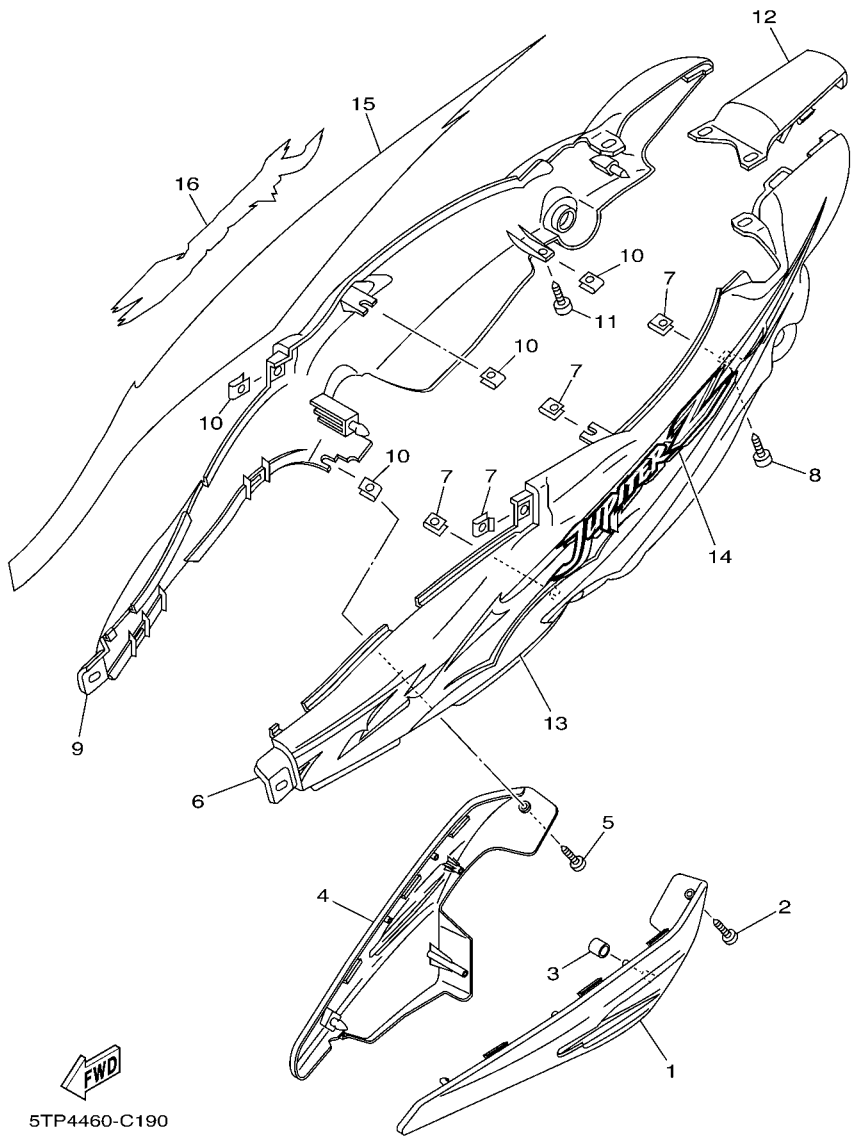
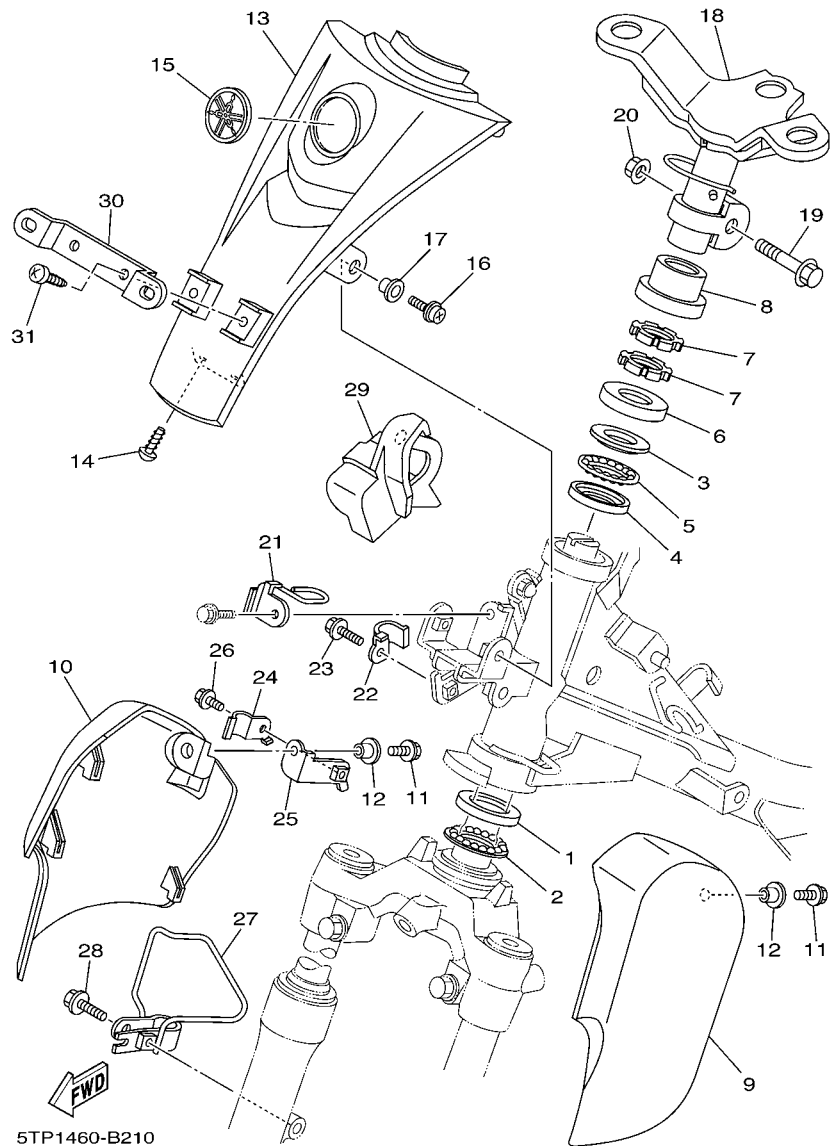


FIG. 19 SIDE COVER

REF. NO.	PART NO.	DESCRIPTION	5TP4	5TP5		REMARKS
13	5TP-F173E-70	GRAPHIC 1	1	1		UR FOR RYC1
	5TP-F173E-80	GRAPHIC 1	1	1		UR FOR S3
	5TP-F173E-90	GRAPHIC 1	1	1		UR FOR YB
14	5TP-F174G-00	GRAPHIC 3	1	1		UR FOR YB
	5TP-F174G-10	GRAPHIC 3	1	1		UR FOR VRC1
	5TP-F174G-20	GRAPHIC 3	1	1		UR FOR DPBMC
	5TP-F174G-30	GRAPHIC 3	1	1		UR FOR RYC1
	5TP-F174G-40	GRAPHIC 3	1	1		UR FOR S3
	5TP-F174G-50	GRAPHIC 3	1	1		UR FOR YB
15	5TP-F173F-40	GRAPHIC 2	1	1		UR FOR YB
	5TP-F173F-50	GRAPHIC 2	1	1		UR FOR VRC1
	5TP-F173F-60	GRAPHIC 2	1	1		UR FOR DPBMC
	5TP-F173F-70	GRAPHIC 2	1	1		UR FOR RYC1
	5TP-F173F-80	GRAPHIC 2	1	1		UR FOR S3
	5TP-F173F-90	GRAPHIC 2	1	1		UR FOR YB
16	5TP-F174H-00	GRAPHIC 4	1	1		UR FOR YB
	5TP-F174H-10	GRAPHIC 4	1	1		UR FOR VRC1
	5TP-F174H-20	GRAPHIC 4	1	1		UR FOR DPBMC
	5TP-F174H-30	GRAPHIC 4	1	1		UR FOR RYC1
	5TP-F174H-40	GRAPHIC 4	1	1		UR FOR S3
	5TP-F174H-50	GRAPHIC 4	1	1		UR FOR YB



5TP1460-B210

FIG. 21 STEERING

REF. NO.	PART NO.	DESCRIPTION	5TP4	5TP5	REMARKS
1	156-23412-00	RACE, BALL 2	1	1	
2	5TL-2341E-00	RETAINER, BALL BEARING	1	1	
3	22F-23412-01	RACE, BALL 2	1	1	
4	22F-23411-01	RACE, BALL 1	1	1	
5	5TL-2341E-10	RETAINER, BALL BEARING	1	1	
6	3AY-F3416-00	COVER, BALL RACE 2	1	1	
7	90179-25033	NUT	2	2	
8	5LM-F3415-00	COVER, BALL RACE 1	1	1	
9	5TP-F3122-00-33	COVER, OUTER 1	1	1	UR YB
	5TP-F3122-00-P0	COVER, OUTER 1	1	1	UR VRC1
	5TP-F3122-00-P1	COVER, OUTER 1	1	1	UR DPBMC
	5TP-F3122-00-P2	COVER, OUTER 1	1	1	UR RYC1
	5TP-F3122-00-P3	COVER, OUTER 1	1	1	UR S3
10	5TP-F3132-00-33	COVER, OUTER 2	1	1	UR YB
	5TP-F3132-00-P0	COVER, OUTER 2	1	1	UR VRC1
	5TP-F3132-00-P1	COVER, OUTER 2	1	1	UR DPBMC
	5TP-F3132-00-P2	COVER, OUTER 2	1	1	UR RYC1
	5TP-F3132-00-P3	COVER, OUTER 2	1	1	UR S3
11	95027-06016	BOLT, FLANGE	2	2	
12	90387-06681	COLLAR	2	2	
13	5TP-F3391-00-P0	PANEL, FRONT	1	1	VOM2 FOR YB
	5TP-F3391-00-33	PANEL, FRONT	1	1	YB FOR VRC1,RYC1
	5TP-F3391-00-P3	PANEL, FRONT	1	1	PPBM2 FOR DPBMC
	5TP-F3391-00-P4	PANEL, FRONT	1	1	DPBMC FOR S3
	5TP-F3391-00-P5	PANEL, FRONT	1	1	S3 FOR YB
14	97707-50014	SCREW, TAPPING	2	2	
15	5LM-F313B-00	EMBLEM 1	1	1	

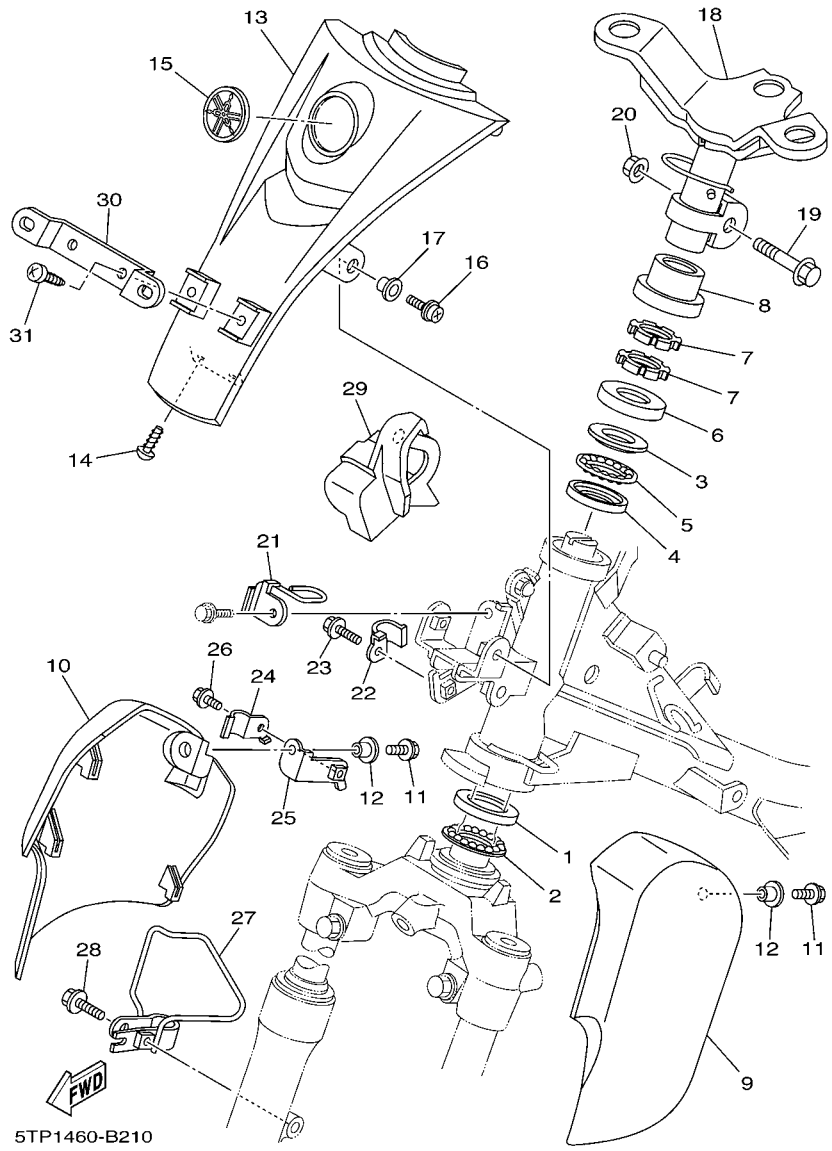


FIG. 21 STEERING

REF. NO.	PART NO.	DESCRIPTION	5TP4	5TP5		REMARKS
16	90159-06181	SCREW, WITH WASHER	2	2		
17	90387-062M9	COLLAR	2	2		
18	5TP-F3461-00-92	BRACKET, HANDLE	1	1		ZC
19	90105-10036	BOLT, FLANGE	1	1		
20	90185-10808	NUT, SELF-LOCKING	1	1		
21	5TP-F5876-00	HOLDER, BRAKE HOSE 2	1	1		
22	5TP-F5887-00	HOLDER, BRAKE HOSE	1	1		
23	95027-06010	BOLT, FLANGE	1	1		
24	5TP-F5886-00	HOLDER, BRAKE HOSE	1	1		
25	5TP-F5875-00	HOLDER, BRAKE HOSE 1	1	1		
26	95027-06010	BOLT, FLANGE	1	1		
27	5TP-F331E-00	GUIDE, CABLE	1	1		
28	95027-06025	BOLT, FLANGE	1	1		
29	5TP-F3472-00	PROTECTOR	1	1		
30	5TP-H454E-00	BRACKET, NUMBER PLATE	1	1		
31	97707-50014	SCREW, TAPPING	2	2		

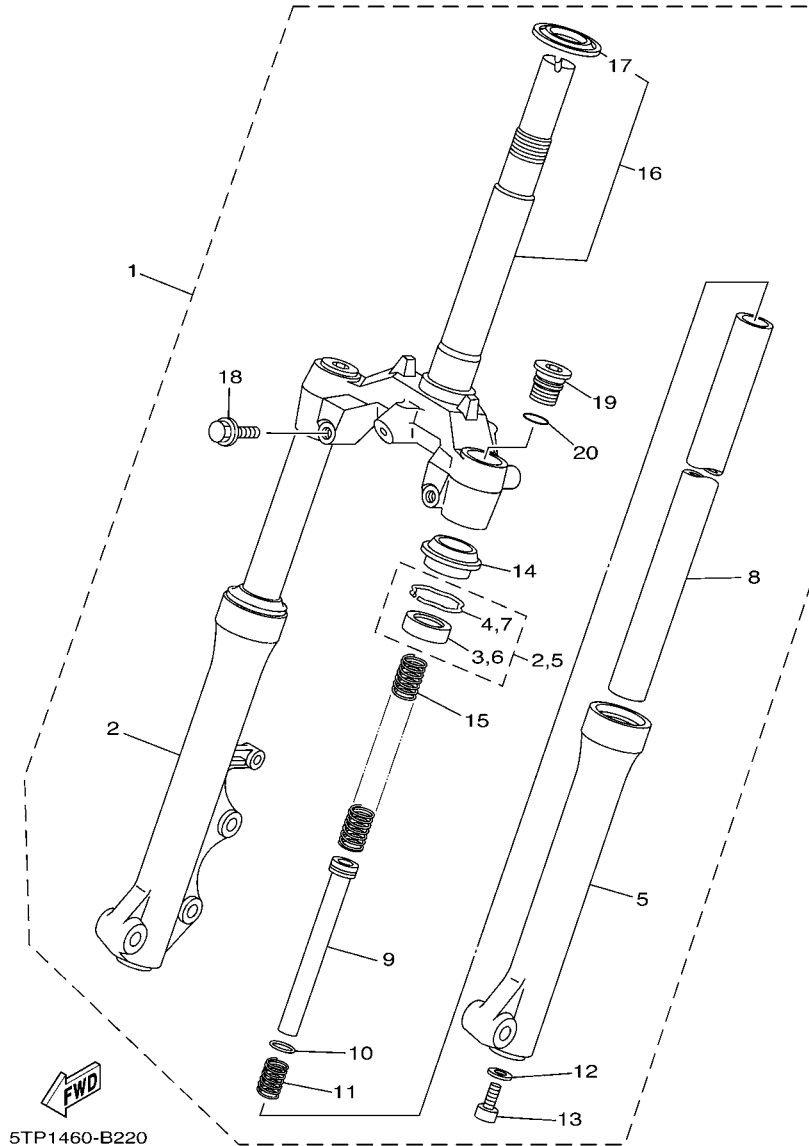
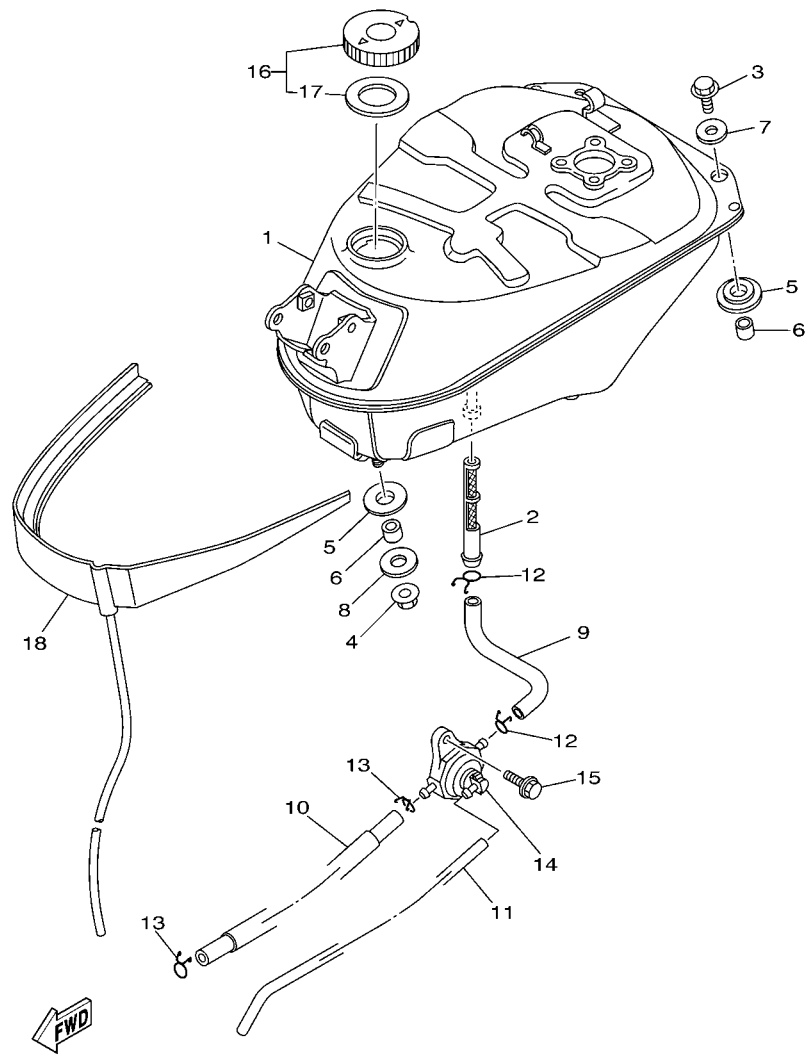


FIG. 22 FRONT FORK

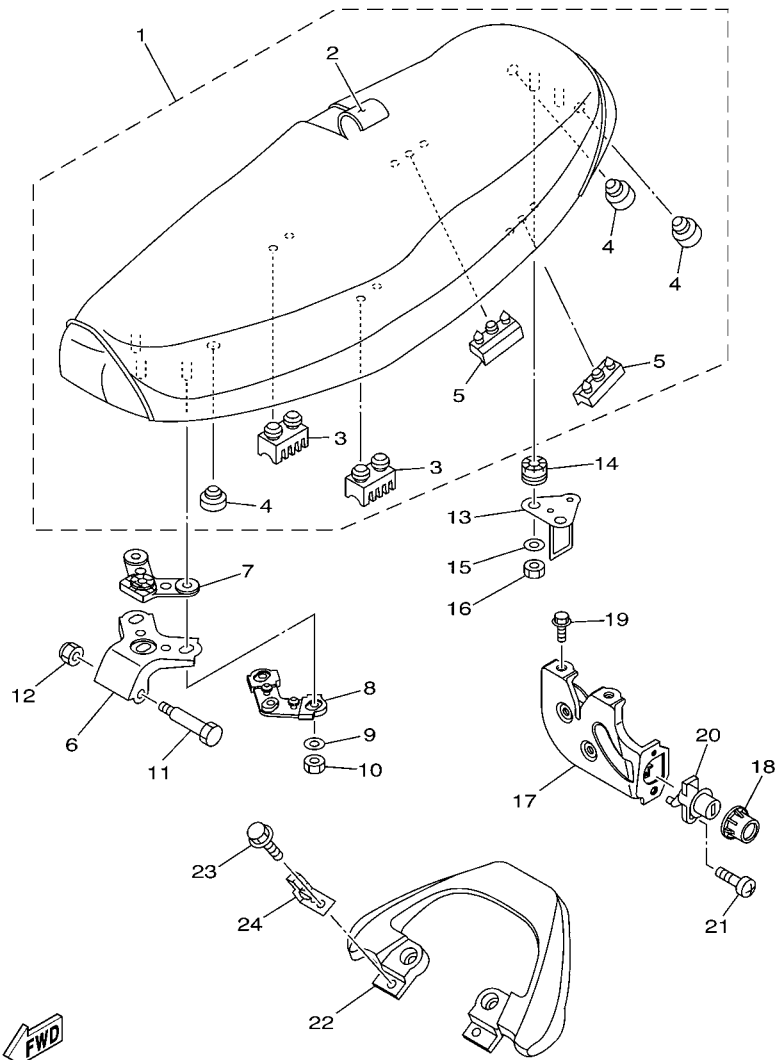
REF. NO.	PART NO.	DESCRIPTION	5TP4	5TP5			REMARKS
1	5TP-F3100-00	FRONT FORK ASSY	1	1			
2	5TP-F3136-00	.TUBE, OUTER (RIGHT)	1	1			
3	3AY-F3145-00	..OIL SEAL	1	1			
4	1T8-F3156-00	..CLIP, OIL SEAL	1	1			
5	5TP-F3126-00	.TUBE, OUTER (LEFT)	1	1			
6	3AY-F3145-00	..OIL SEAL	1	1			
7	1T8-F3156-00	..CLIP, OIL SEAL	1	1			
8	5TP-F3110-00	.INNER TUBE COMP.1	2	2			
9	5TP-F3170-00	.CYLINDER COMP., FRONT FORK	2	2			
10	2JG-F3157-00	.RING, PISTON	2	2			
11	5TP-F3152-00	.SPRING, SUB	2	2			
12	509-F3158-L0	.GASKET	2	2			
13	278-F3181-50	.BOLT, HEXAGON SOCKET HEAD	2	2			
14	5LM-F3144-00	.SEAL, DUST	2	2			
15	5TP-F3141-00	.SPRING, FRONT FORK	2	2			
16	5LM-F3340-00	.UNDER BRACKET COMP.	1	1			
17	156-23411-00	..RACE, BALL 1	1	1			
18	5LM-F3346-00	.BOLT 1	2	2			
19	5LM-F3111-00	.BOLT, CAP	2	2			
20	2JG-F3147-00	.O-RING	2	2			

FIG. 23 FUEL TANK



5TN1431-B230

REF. NO.	PART NO.	DESCRIPTION	5TP4	5TP5		REMARKS
1	5LM-F4110-00-33	FUEL TANK COMP.	1	1		YB
2	4YS-F4514-00	NET, FILTER 1	1	1		
3	97007-06020	BOLT	2	2		
4	95707-08500	NUT, FLANGE	1	1		
5	90480-18476	GROMMET	3	3		
6	90387-084N8	COLLAR	3	3		
7	90201-064K6	WASHER, PLATE	2	2		
8	90201-08766	WASHER, PLATE	1	1		
9	5TF-F4311-00	PIPE, FUEL 1	1	1		
10	5TF-F4312-00	PIPE 2	1	1		
11	5TF-F4313-00	PIPE 3	1	1		
12	90467-10008	CLIP	2	2		
13	90467-09006	CLIP	2	2		
14	5TN-F4500-00	FUEL COCK ASSY 1	1	1		
15	95807-06014	BOLT, FLANGE	1	1		
16	4YY-F4610-00	CAP ASSY	1	1		
17	4YY-F4612-00	.GASKET, CAP	1	1		
18	5TP-F4141-00	PROTECTOR, FUEL TANK	1	1		

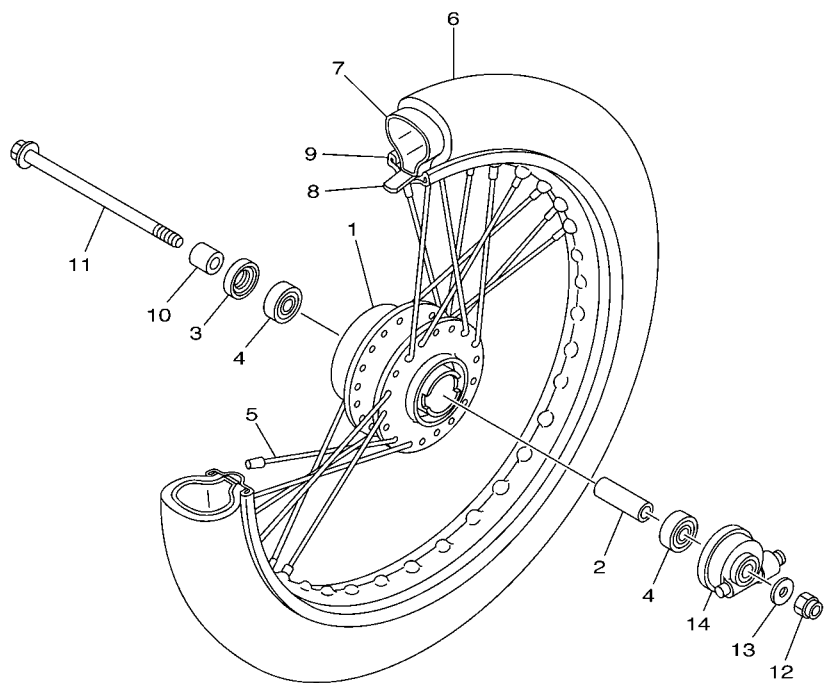


5TP1460-B240

FIG. 24 SEAT

REF. NO.	PART NO.	DESCRIPTION	5TP4	5TP5	REMARKS
1	5TP-F4730-00	DOUBLE SEAT ASSY	1	1	
2	5LM-F470F-00	.SEAT COVER COMP.	1	1	
3	5TP-F4723-00	.DAMPER, SEAT	2	2	
4	5BP-F4741-00	.PAD, SEAT	3	3	
5	5LM-F4747-00	.DAMPER, SEAT	2	2	
6	5LM-F4726-00	HINGE, SEAT	1	1	
7	5LM-F4741-00	PAD, SEAT	1	1	
8	5LM-F4763-00	PAD, SEAT 2	1	1	
9	90201-060A3	WASHER, PLATE	3	3	
10	95307-06600	NUT	3	3	
11	90109-065E0	BOLT	1	1	
12	95607-06100	NUT, U	1	1	
13	5LM-F4728-00	BRACKET, SEAT	1	1	
14	90480-14872	GROMMET	2	2	
15	90201-06071	WASHER, PLATE	2	2	
16	95307-06600	NUT	2	2	
17	5LM-F4780-00	SEAT LOCK ASSY	1	1	
18	5TP-F4796-00	COVER	1	1	
19	95807-06012	BOLT, FLANGE	2	2	
20	5LM-F4799-00	ROTOR ASSY	1	1	
21	98507-06016	SCREW, PAN HEAD	1	1	
22	5LM-F4773-01-35	HANDLE, SEAT	1	1	SL
23	95807-06020	BOLT, FLANGE	4	4	
24	5LM-F1398-00	HANGER, HELMET	2	2	

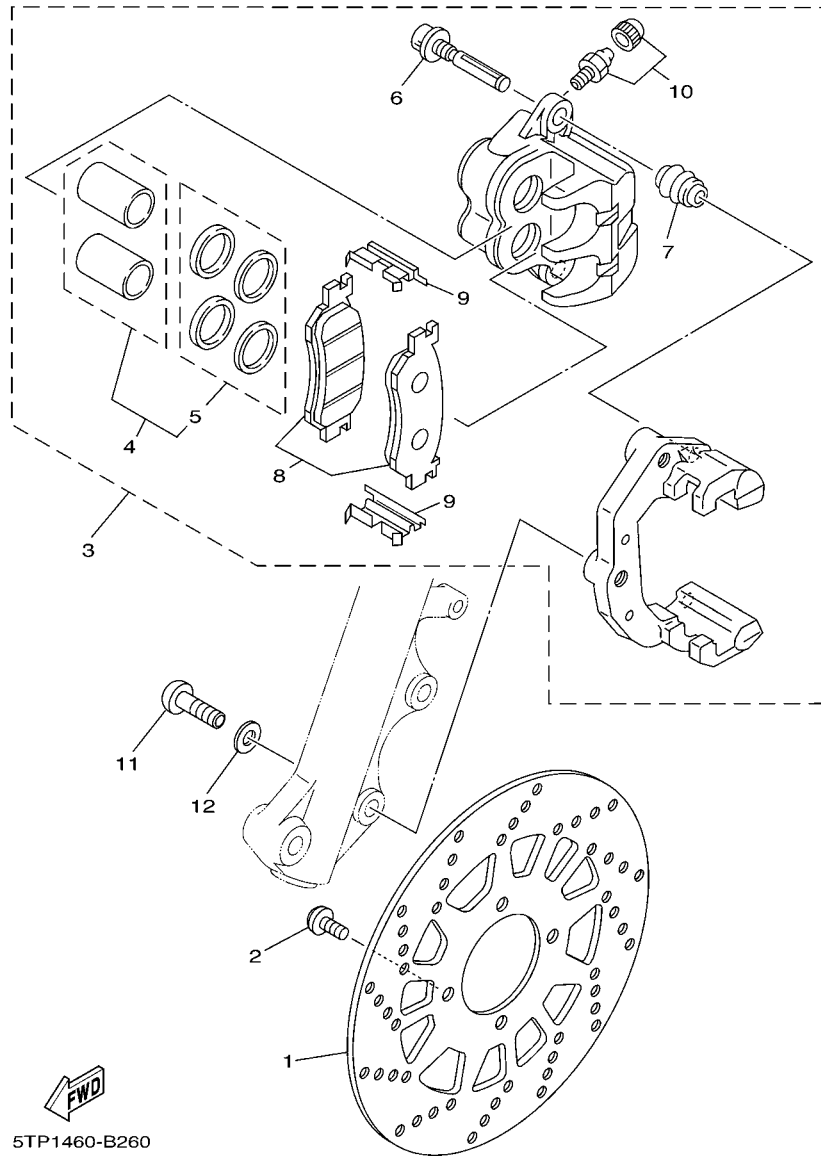
FIG. 25 FRONT WHEEL



REF. NO.	PART NO.	DESCRIPTION	5TP4	5TP5		REMARKS
1	5TP-F5111-01-35	HUB, FRONT	1	1		SL
2	90560-10292	SPACER	1	1		
3	93106-20816	OIL SEAL	1	1		
4	93306-300X9	BEARING	2	2		
5	4NS-F5104-00	SPOKE SET, FRONT	1	1		
6	94107-17803	TIRE (70/90-17 38P NR69)	1	1		INOUE
7	94222-17804	TUBE (2.25-17 TR4)	1	1		INOUE
8	94322-17858	BAND, RIM (1.20-17)	1	1		INOUE
9	94414-17888	RIM (1.40-17)	1	1		
10	90387-10277	COLLAR	1	1		
11	3AY-F5181-01	AXLE, WHEEL	1	1		
12	90185-10091	NUT, SELF-LOCKING	1	1		
13	90201-101J1	WASHER, PLATE	1	1		
14	5TN-F5190-00	GEAR UNIT ASSY	1	1		



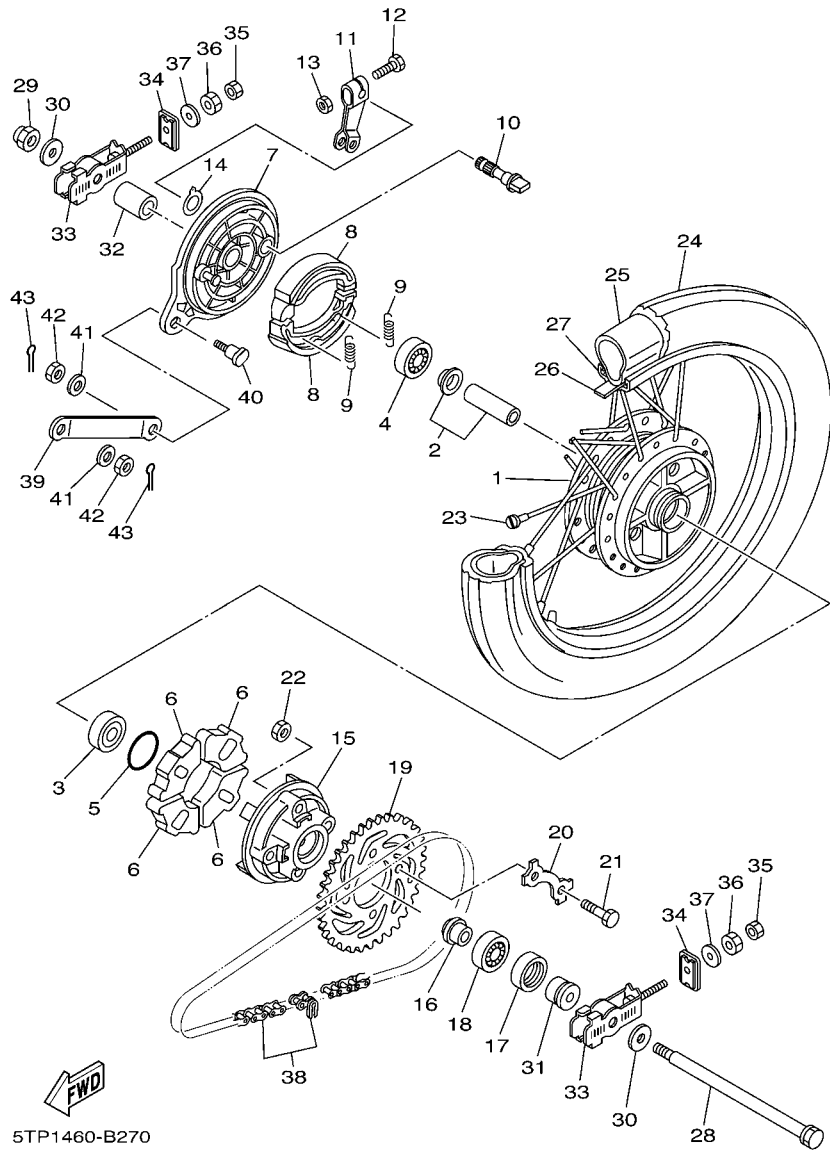
5TN1431-B251



5TP1460-B260

FIG. 26 FRONT BRAKE CALIPER

REF. NO.	PART NO.	DESCRIPTION	5TP4	5TP5	REMARKS
1	5TP-F582U-00	DISC, BRAKE (RIGHT)	1	1	
2	90111-08815	BOLT	4	4	
3	4US-F580U-00	CALIPER ASSY (RIGHT)	1	1	
4	4TT-W0057-00	.PISTON ASSY, CALIPER	1	1	
5	4ES-W0047-10	..CALIPER SEAL KIT	1	1	
6	5JW-25914-00	.PIN, SLIDE	2	2	
7	4TT-25937-00	.BOOT 2	2	2	
8	4US-W0045-00	.BRAKE PAD KIT	1	1	
9	4TT-25919-00	.SUPPORT, PAD	2	2	
10	51L-W0048-00	.BLEED SCREW KIT	1	1	
11	90149-10800	SCREW	2	2	
12	92903-10200	WASHER, PLAIN	2	2	



5TP1460-B270

FIG. 27 REAR WHEEL

REF. NO.	PART NO.	DESCRIPTION	5TP4	5TP5	REMARKS
1	23T-F5311-01-35	HUB, REAR	1	1	SL
2	4ST-F5316-00	FLANGE, SPACER 2	1	1	
3	93306-301YR	BEARING	1	1	
4	93306-301YP	BEARING	1	1	
5	93210-418G7	O-RING	1	1	
6	23T-F5364-00	DAMPER	4	4	
7	23T-F5321-02-35	PLATE, BRAKE SHOE	1	1	SL
8	23T-F5330-00	BRAKE SHOE COMP.	2	2	
9	90506-18288	SPRING, TENSION	2	2	
10	3Y6-F5351-00	CAMSHAFT	1	1	
11	3AY-F5355-00	LEVER, CAMSHAFT	1	1	
12	90101-06278	BOLT	1	1	
13	95307-06600	NUT	1	1	
14	4ST-F533A-00	PLATE, INDICATOR	1	1	
15	37J-F5366-02	CLUTCH, HUB	1	1	
16	90387-127Y0	COLLAR	1	1	
17	93106-26815	OIL SEAL	1	1	
18	93306-004XC	BEARING	1	1	
19	5TP-F5436-20	SPROCKET, DRIVEN (36T)	1	1	
20	5LM-F5412-00	WASHER	2	2	
21	90101-08672	BOLT	4	4	
22	90179-08639	NUT	4	4	
23	23T-F5304-01	SPOKE SET, REAR	1	1	
24	94108-17803	TIRE (80/90-17 44P NR69)	1	1	INOUE
25	94227-17803	TUBE (2.75-17 TR4)	1	1	INOUE
26	94322-17858	BAND, RIM (1.20-17)	1	1	INOUE
27	94414-17849	RIM (1.40-17)	1	1	

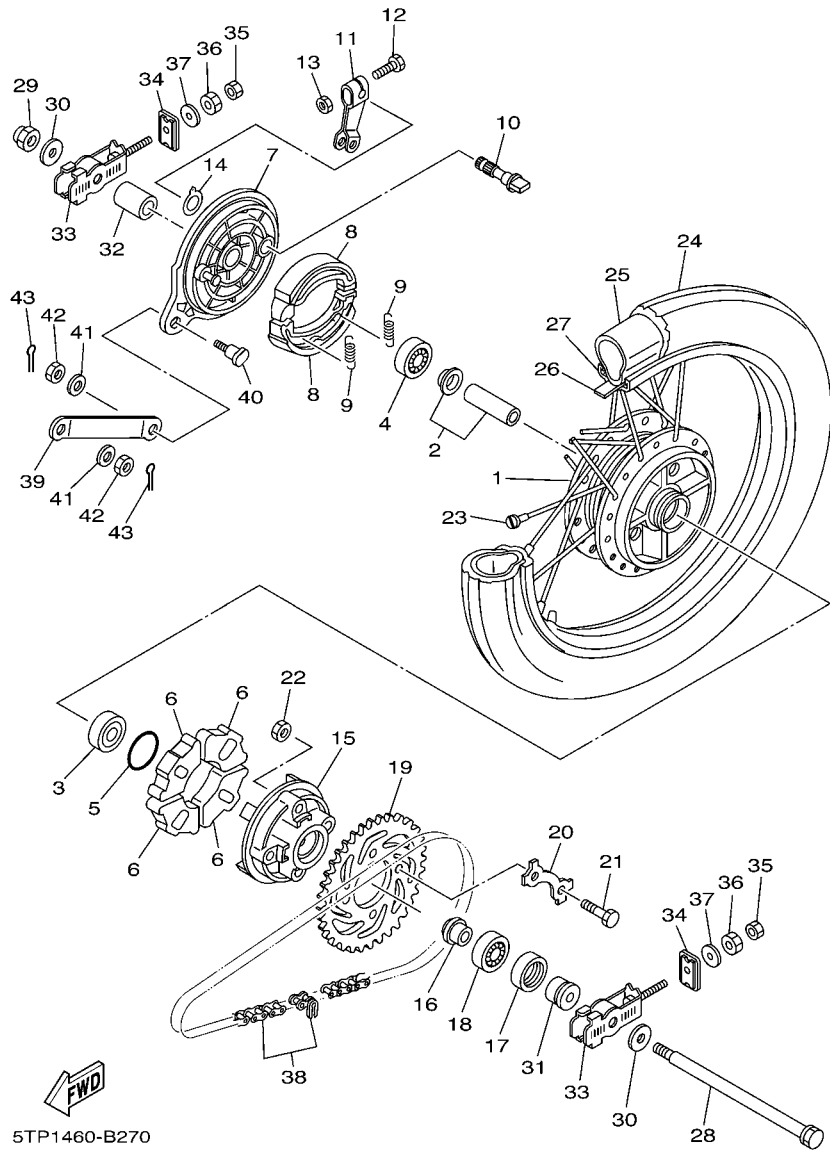


FIG. 27 REAR WHEEL

REF. NO.	PART NO.	DESCRIPTION	5TP4	5TP5	REMARKS
28	3XA-F5381-01	AXLE, WHEEL	1	1	
29	90185-12046	NUT, SELF-LOCKING	1	1	
30	90201-120T5	WASHER, PLATE	2	2	
31	5LM-F5383-00	COLLAR, WHEEL	1	1	
32	90387-12823	COLLAR	1	1	
33	5TP-F5389-00	PULLER, CHAIN 2	2	2	
34	5TP-F539F-00	PLATE 1	2	2	
35	95307-06600	NUT	2	2	
36	90170-06184	NUT	2	2	
37	90201-062A8	WASHER, PLATE	2	2	
38	94568-39104	CHAIN (DID428 104L)	1	1	
39	3AY-F5371-00-91	BAR, TENSION	1	1	ZB
40	90109-08183	BOLT	1	1	
41	92907-08200	WASHER	2	2	
42	95304-08700	NUT	2	2	
43	91401-20012	PIN, COTTER	2	2	

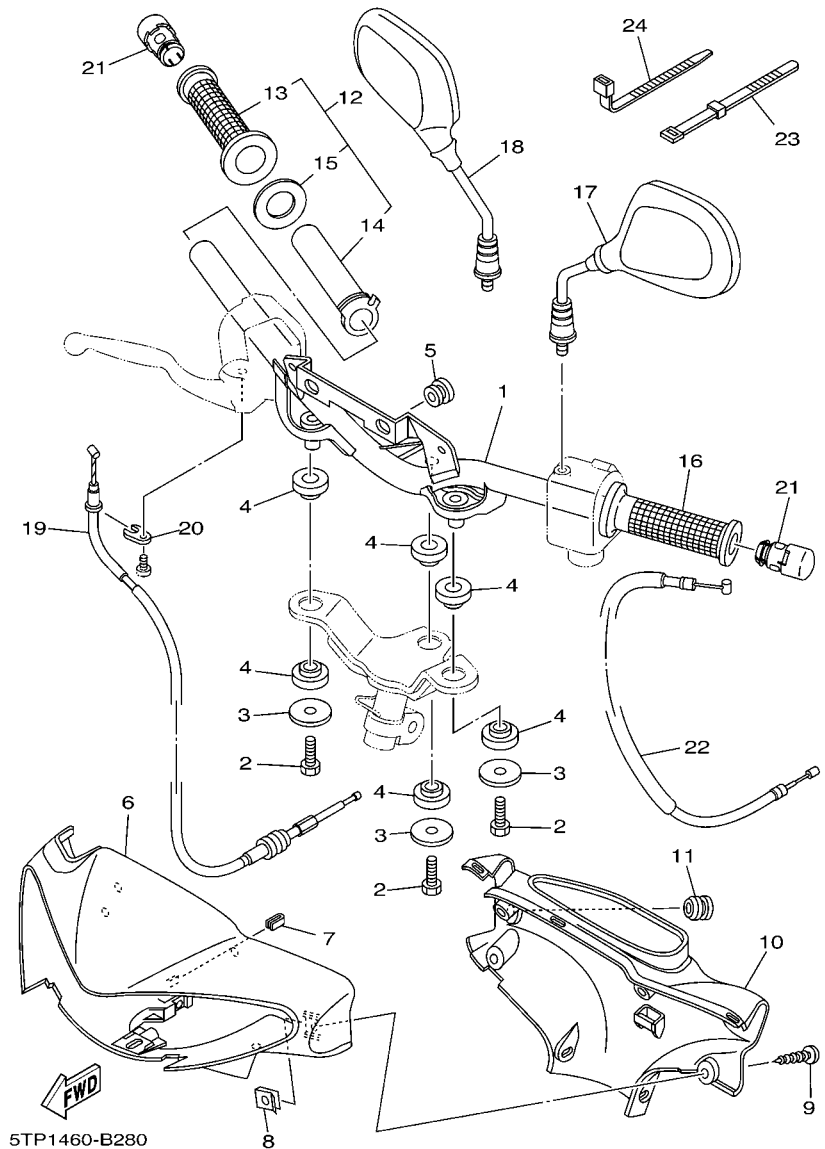
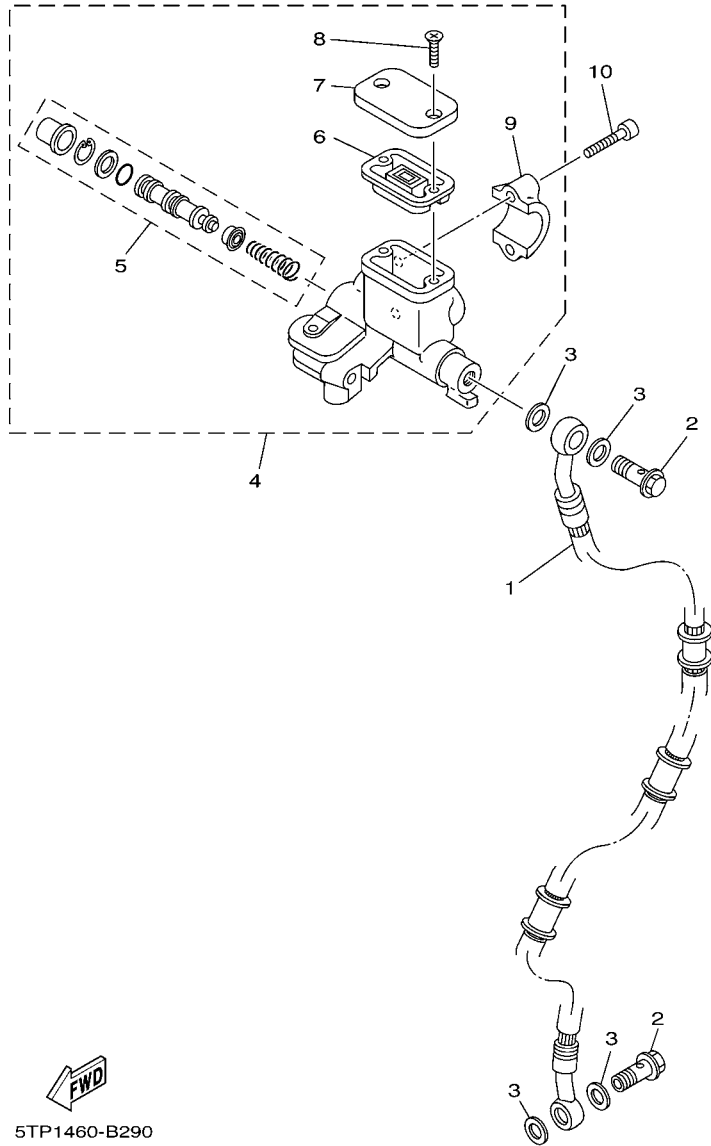


FIG. 28 STEERING HANDLE & CABLE

REF. NO.	PART NO.	DESCRIPTION	5TP4	5TP5	REMARKS
1	5LM-F6210-00-90	HANDLE	1	1	ZK
2	97007-08016	BOLT	3	3	
3	90201-08612	WASHER, PLATE	3	3	
4	3AY-F6113-00	DAMPER	6	6	
5	90480-01558	GROMMET	2	2	
6	5LL-F6143-00-33	COVER, HANDLEBAR UPPER 1	1	1	UR YB
	5LL-F6143-00-P5	COVER, HANDLEBAR UPPER 1	1	1	UR VRC1
	5LL-F6143-00-P8	COVER, HANDLEBAR UPPER 1	1	1	UR DPBMC
	5LL-F6143-00-PC	COVER, HANDLEBAR UPPER 1	1	1	UR RYC1
	5LL-F6143-00-PE	COVER, HANDLEBAR UPPER 1	1	1	UR S3
7	5LM-F8371-00	DAMPER	2	2	
8	90183-05807	NUT, SPRING	4	4	
9	97707-50014	SCREW, TAPPING	6	6	
10	5LL-F6145-00	COVER, HANDLEBAR UPPER 2	1	1	
11	4US-F6199-00	PLUG, BLIND	1	1	
12	4NS-F6240-02	GRIP ASSY	1	1	
13	4NS-F6242-00	.GRIP (RIGHT)	1	1	
14	5T4-F6243-00	.TUBE, THROTTLE GUIDE	1	1	
15	90201-261L1	.WASHER, PLATE	1	1	
16	4NS-F6241-00	GRIP	1	1	
17	3XA-F6280-10	REAR VIEW MIRROR ASSY (LEFT)	1	1	
18	3XA-F6290-10	REAR VIEW MIRROR ASSY (RIGHT)	1	1	
19	5TP-F6311-00	CABLE, THROTTLE 1	1	1	
20	4ST-F6393-00	HOLDER	1	1	
21	5LM-F6246-00	END, GRIP	2	2	
22	5TP-F6331-00	CABLE, STARTER 1	1	1	
23	3AY-H3936-10	BAND, SWITCH CORD	2	2	



FWD
5TP1460-B290

FIG. 29 FRONT MASTER CYLINDER

REF. NO.	PART NO.	DESCRIPTION	5TP4	5TP5	REMARKS
1	5TN-F5872-00	HOSE, BRAKE 1	1	1	
2	90401-10159	BOLT, UNION	2	2	
3	90201-10118	WASHER, PLATE	4	4	
4	5LM-F583T-00	MASTER CYLINDER ASSY	1	1	
5	3RW-W0041-02	.CYLINDER KIT, MASTER	1	1	
6	3YR-25854-00	.DIAPHRAGM, RESERVOIR	1	1	
7	3YR-25852-00	.CAP, RESERVOIR	1	1	
8	36Y-2589H-00	.SCREW	2	2	
9	3YK-25867-00	.BRACKET, MASTER CYLINDER	1	1	
10	91317-06025	BOLT	2	2	

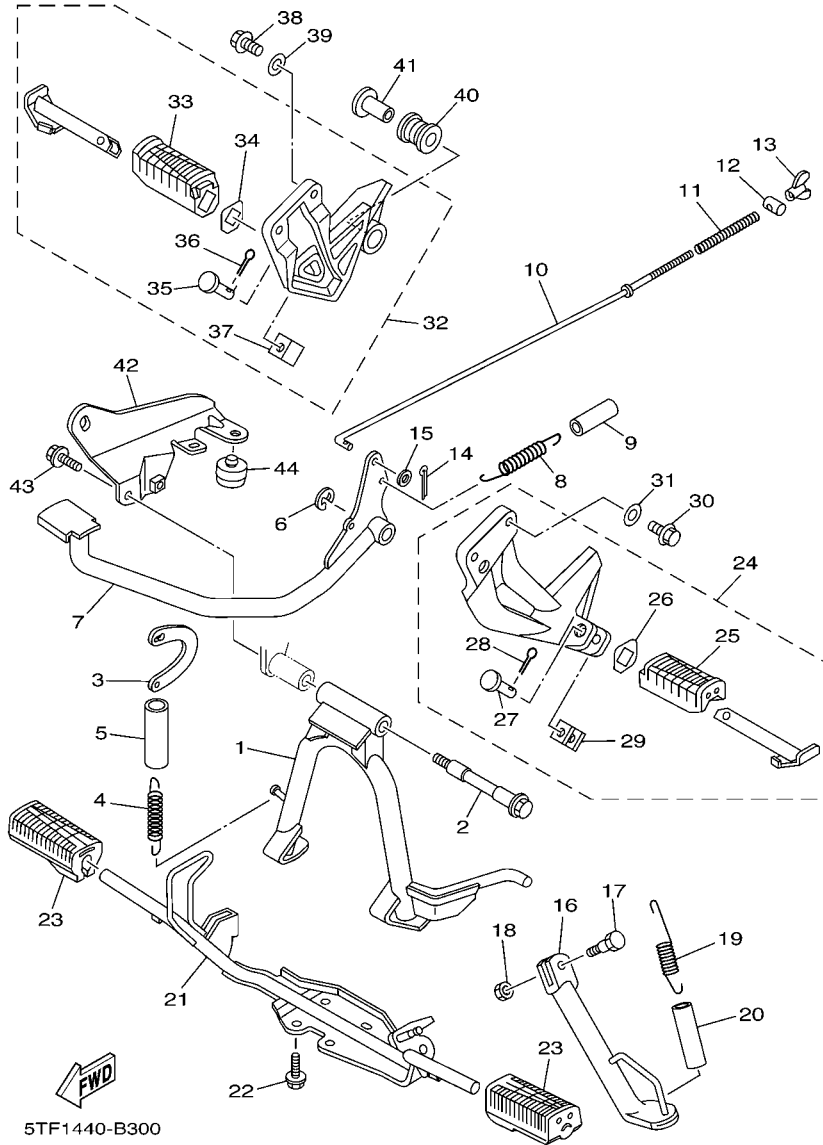


FIG. 30 STAND & FOOTREST

REF. NO.	PART NO.	DESCRIPTION	5TP4	5TP5		REMARKS
1	5TP-F7111-00-33	STAND, MAIN	1	1		YB
2	3XA-F7112-01	SHAFT, MAIN STAND	1	1		
3	3AY-F7115-01	LINK, MAIN STAND	1	1		
4	90506-32800	SPRING, TENSION	1	1		
5	90445-22327	HOSE (L70)	1	1		
6	93430-12809	CIRCLIP	1	1		
7	5TP-F7211-00-91	PEDAL, BRAKE	1	1		ZB
8	90506-20804	SPRING, TENSION	1	1		
9	3XA-F7235-00	COVER, DUST	1	1		
10	5TP-F7231-00	ROD, BRAKE	1	1		
11	90501-10245	SPRING, COMPRESSION	1	1		
12	90249-12008	PIN	1	1		
13	90175-06013	NUT, WING	1	1		
14	91401-20012	PIN, COTTER	1	1		
15	92907-06600	WASHER, PLATE	1	1		
16	5TP-F7311-00-33	STAND, SIDE	1	1		YB
17	90109-08034	BOLT	1	1		
18	95307-08700	NUT	1	1		
19	90506-20829	SPRING, TENSION	1	1		
20	90445-21848	HOSE (L70)	1	1		
21	5TP-F7411-00-33	FOOTREST 1	1	1		YB
22	95827-08016	BOLT, FLANGE	4	4		
23	5LM-F7413-00	COVER, FOOTREST	2	2		
24	5TP-F7430-00	REAR FOOTREST ASSY 1	1	1		
25	5TP-F7433-00	.COVER, REAR FOOTREST	1	1		
26	5LM-F7445-00	.PLATE 1	1	1		
27	90240-08145	.PIN, CLEVIS	1	1		

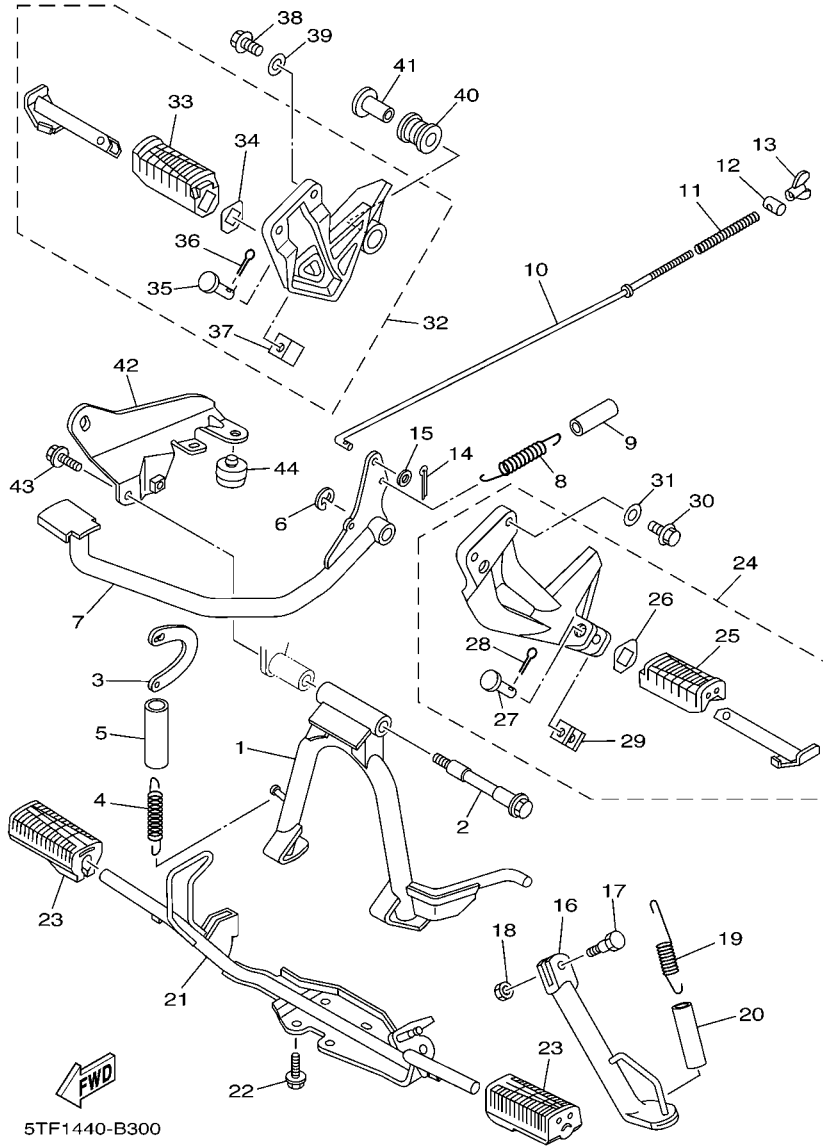
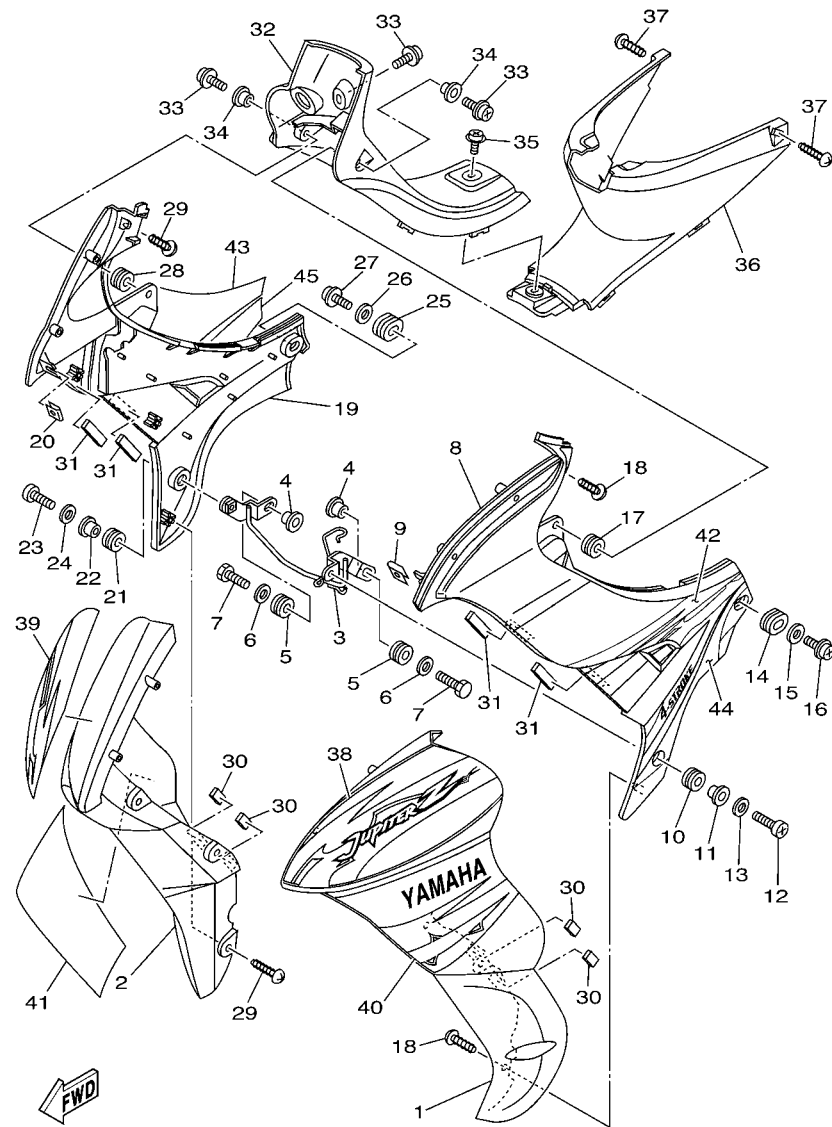


FIG. 30 STAND & FOOTREST

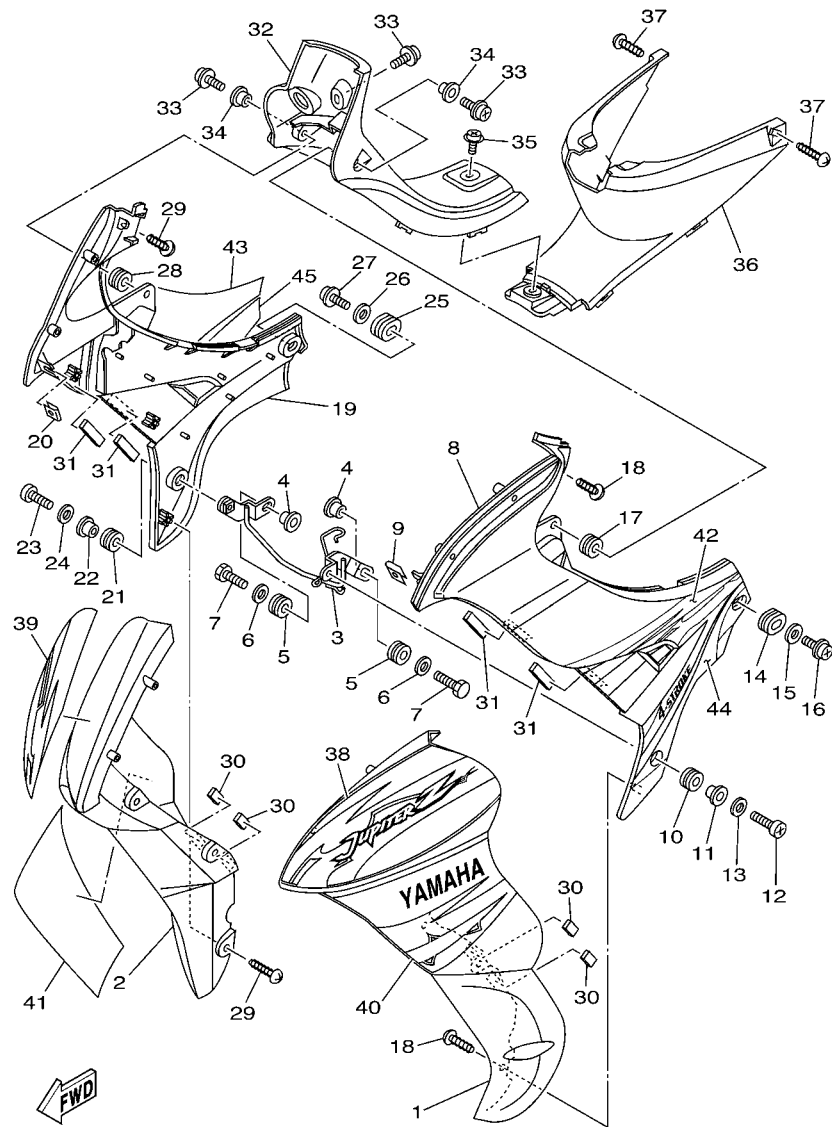
REF. NO.	PART NO.	DESCRIPTION	5TP4	5TP5	REMARKS
28	91401-25015	.PIN, COTTER	1	1	
29	5TP-F7314-00	.STOPPER	1	1	
30	95817-08025	BOLT, FLANGE	2	2	
31	90201-086P8	WASHER, PLATE	2	2	
32	5TP-F7440-00	REAR FOOTREST ASSY 2	1	1	
33	5TP-F7444-00	.COVER, REAR FOOTREST	1	1	
34	5LM-F7445-00	.PLATE 1	1	1	
35	90240-08145	.PIN, CLEVIS	1	1	
36	91401-25015	.PIN, COTTER	1	1	
37	5TP-F7314-00	.STOPPER	1	1	
38	95817-08025	BOLT, FLANGE	2	2	
39	90201-086P8	WASHER, PLATE	2	2	
40	5TP-F7424-00	DAMPER, FOOTREST 2	1	1	
41	90387-10810	COLLAR	1	1	
42	5TP-F194J-00	STAY, MUFFLER	1	1	
43	95827-10020	BOLT, FLANGE	1	1	
44	5LM-F4741-10	PAD, SEAT	1	1	



5TP4460-C310

FIG. 31 LEG SHIELD

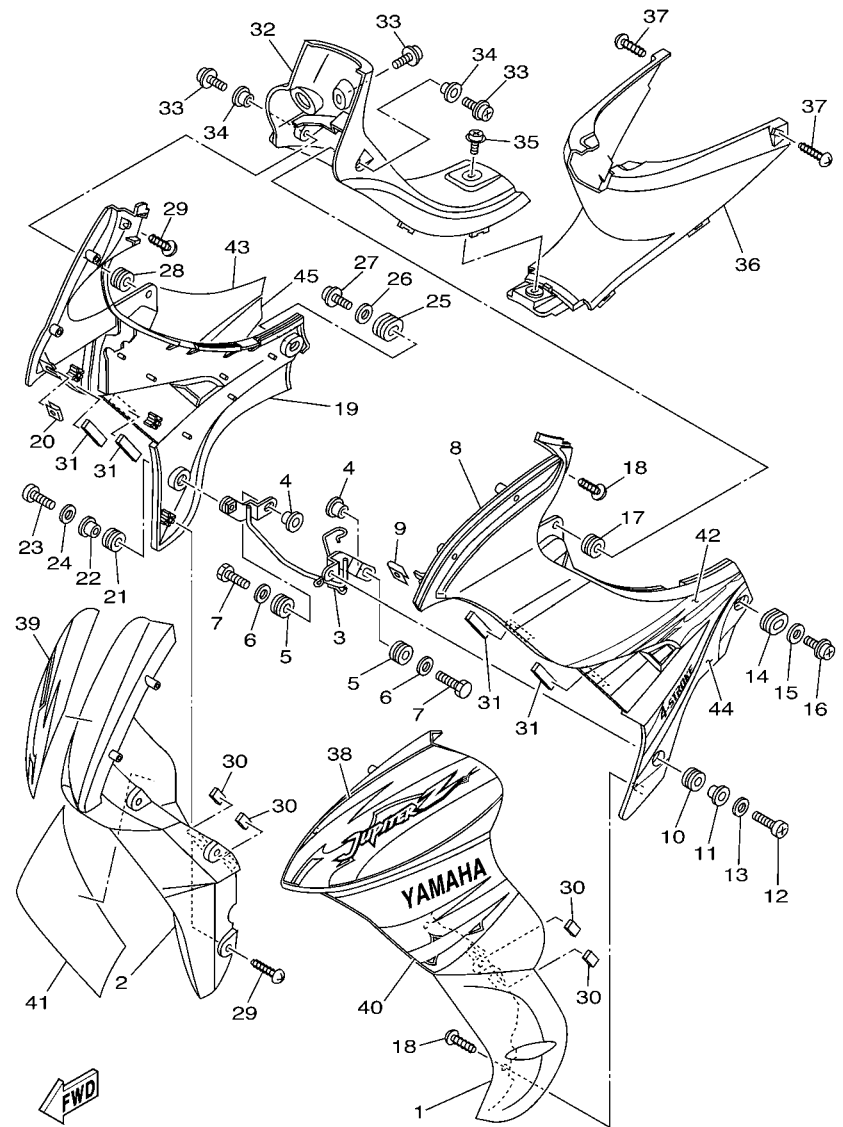
REF. NO.	PART NO.	DESCRIPTION	5TP4	5TP5	REMARKS
1	5TP-F8311-00-33	LEG SHIELD 1	1	1	UR YB
	5TP-F8311-00-P0	LEG SHIELD 1	1	1	UR VRC1
	5TP-F8311-00-P1	LEG SHIELD 1	1	1	UR DPBMC
	5TP-F8311-00-P2	LEG SHIELD 1	1	1	UR RYC1
	5TP-F8311-00-P3	LEG SHIELD 1	1	1	UR S3
2	5TP-F8312-00-33	LEG SHIELD 2	1	1	UR YB
	5TP-F8312-00-P0	LEG SHIELD 2	1	1	UR VRC1
	5TP-F8312-00-P1	LEG SHIELD 2	1	1	UR DPBMC
	5TP-F8312-00-P2	LEG SHIELD 2	1	1	UR RYC1
	5TP-F8312-00-P3	LEG SHIELD 2	1	1	UR S3
3	5TP-F8332-00	STAY, LEG SHIELD	1	1	
4	90387-06841	COLLAR	2	2	
5	90480-13018	GROMMET	2	2	
6	90201-06557	WASHER, PLATE	2	2	
7	97007-06020	BOLT	2	2	
8	5TP-F8385-00-33	COVER, LOWER	1	1	UR YB
	5TP-F8385-00-P0	COVER, LOWER	1	1	UR VRC1
	5TP-F8385-00-P1	COVER, LOWER	1	1	UR DPBMC
	5TP-F8385-00-P2	COVER, LOWER	1	1	UR RYC1
	5TP-F8385-00-P3	COVER, LOWER	1	1	UR S3
9	90183-05807	NUT, SPRING	1	1	
10	90480-18418	GROMMET	1	1	
11	90387-09802	COLLAR	1	1	
12	98907-06020	SCREW, BIND	1	1	
13	90201-06557	WASHER, PLATE	1	1	
14	90480-01800	GROMMET	1	1	
15	90201-06828	WASHER, PLATE	1	1	



5TP4460-C310

FIG. 31 LEG SHIELD

REF. NO.	PART NO.	DESCRIPTION	5TP4	5TP5	REMARKS
16	90159-06181	SCREW, WITH WASHER	1	1	
17	90480-13864	GROMMET	1	1	
18	97707-50012	SCREW, TAPPING	6	6	
19	5TP-F8395-00-33	COVER, UNDER	1	1	UR YB
	5TP-F8395-00-P0	COVER, UNDER	1	1	UR VRC1
	5TP-F8395-00-P1	COVER, UNDER	1	1	UR DPBMC
	5TP-F8395-00-P2	COVER, UNDER	1	1	UR RYC1
	5TP-F8395-00-P3	COVER, UNDER	1	1	UR S3
20	90183-05807	NUT, SPRING	1	1	
21	90480-18418	GROMMET	1	1	
22	90387-09802	COLLAR	1	1	
23	98907-06020	SCREW, BIND	1	1	
24	90201-06557	WASHER, PLATE	1	1	
25	90480-01800	GROMMET	1	1	
26	90201-06828	WASHER, PLATE	1	1	
27	90159-06181	SCREW, WITH WASHER	1	1	
28	90480-13864	GROMMET	1	1	
29	97707-50012	SCREW, TAPPING	6	6	
30	5LM-F8371-00	DAMPER	4	4	
31	5ER-F8371-00	DAMPER	4	4	
32	5TP-F842M-00	COVER 1	1	1	
33	90159-06181	SCREW, WITH WASHER	3	3	
34	90387-06846	COLLAR	2	2	
35	90159-06067	SCREW, WITH WASHER	1	1	
36	5LL-F842N-00	COVER 2	1	1	
37	97707-50014	SCREW, TAPPING	2	2	
38	5TP-F8368-40	EMBLEM	1	1	UR FOR YB



5TP4460-C310

FIG. 31 LEG SHIELD

REF. NO.	PART NO.	DESCRIPTION	5TP4	5TP5	REMARKS
38	5TP-F8368-50	EMBLEM	1	1	UR FOR VRC1
	5TP-F8368-60	EMBLEM	1	1	UR FOR DPBMC
	5TP-F8368-70	EMBLEM	1	1	UR FOR RYC1
	5TP-F8368-80	EMBLEM	1	1	UR FOR S3
	5TP-F8368-90	EMBLEM	1	1	UR FOR YB
39	5TP-F831Y-40	GRAPHIC 14	1	1	UR FOR YB
	5TP-F831Y-50	GRAPHIC 14	1	1	UR FOR VRC1
	5TP-F831Y-60	GRAPHIC 14	1	1	UR FOR DPBMC
	5TP-F831Y-70	GRAPHIC 14	1	1	UR FOR RYC1
	5TP-F831Y-80	GRAPHIC 14	1	1	UR FOR S3
	5TP-F831Y-90	GRAPHIC 14	1	1	UR FOR YB
40	5TP-F832B-40	EMBLEM 1	1	1	UR FOR YB
	5TP-F832B-50	EMBLEM 1	1	1	UR FOR VRC1
	5TP-F832B-60	EMBLEM 1	1	1	UR FOR DPBMC
	5TP-F832B-70	EMBLEM 1	1	1	UR FOR RYC1
	5TP-F832B-80	EMBLEM 1	1	1	UR FOR S3
	5TP-F832B-90	EMBLEM 1	1	1	UR FOR YB
41	5TP-F832C-40	GRAPHIC 1	1	1	UR FOR YB
	5TP-F832C-50	GRAPHIC 1	1	1	UR FOR VRC1
	5TP-F832C-60	GRAPHIC 1	1	1	UR FOR DPBMC
	5TP-F832C-70	GRAPHIC 1	1	1	UR FOR RYC1
	5TP-F832C-80	GRAPHIC 1	1	1	UR FOR S3
	5TP-F832C-90	GRAPHIC 1	1	1	UR FOR YB
42	5TP-F8391-40	GRAPHIC 1	1	1	UR FOR YB
	5TP-F8391-50	GRAPHIC 1	1	1	UR FOR VRC1
	5TP-F8391-60	GRAPHIC 1	1	1	UR FOR DPBMC
	5TP-F8391-70	GRAPHIC 1	1	1	UR FOR RYC1

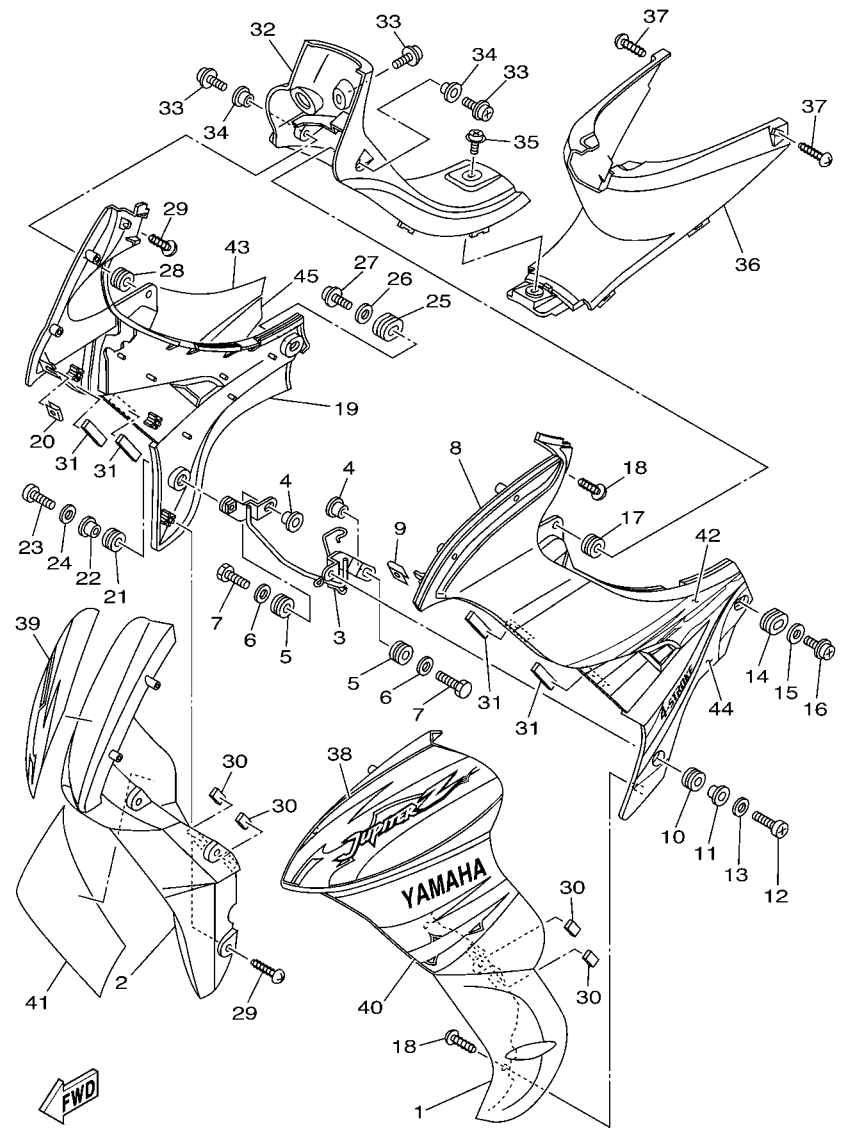
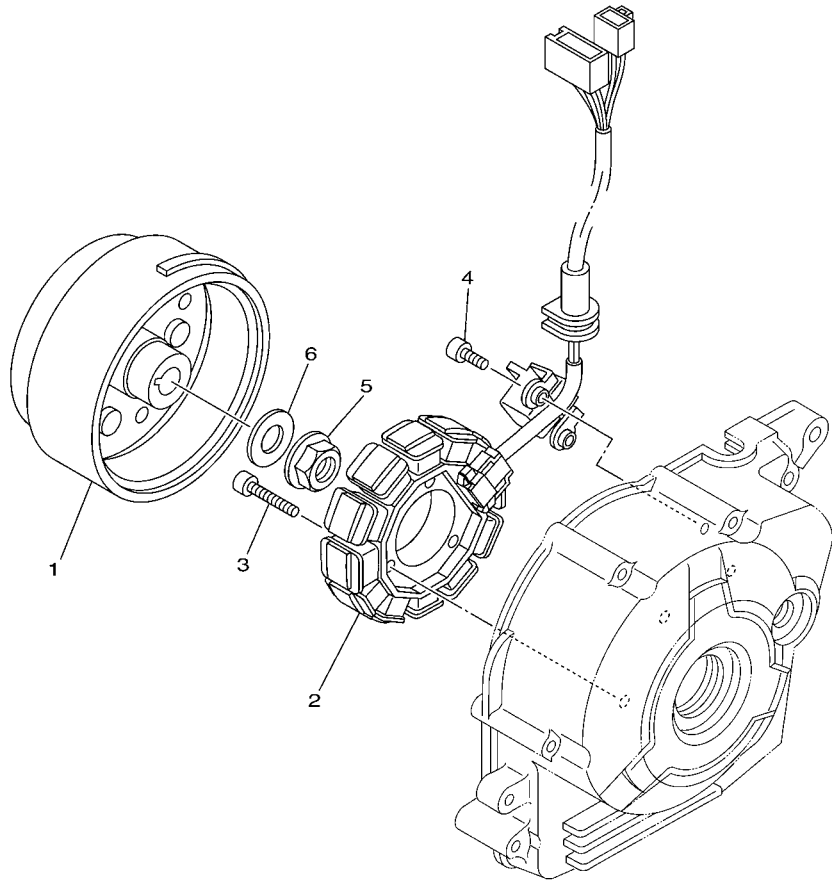


FIG. 31 LEG SHIELD

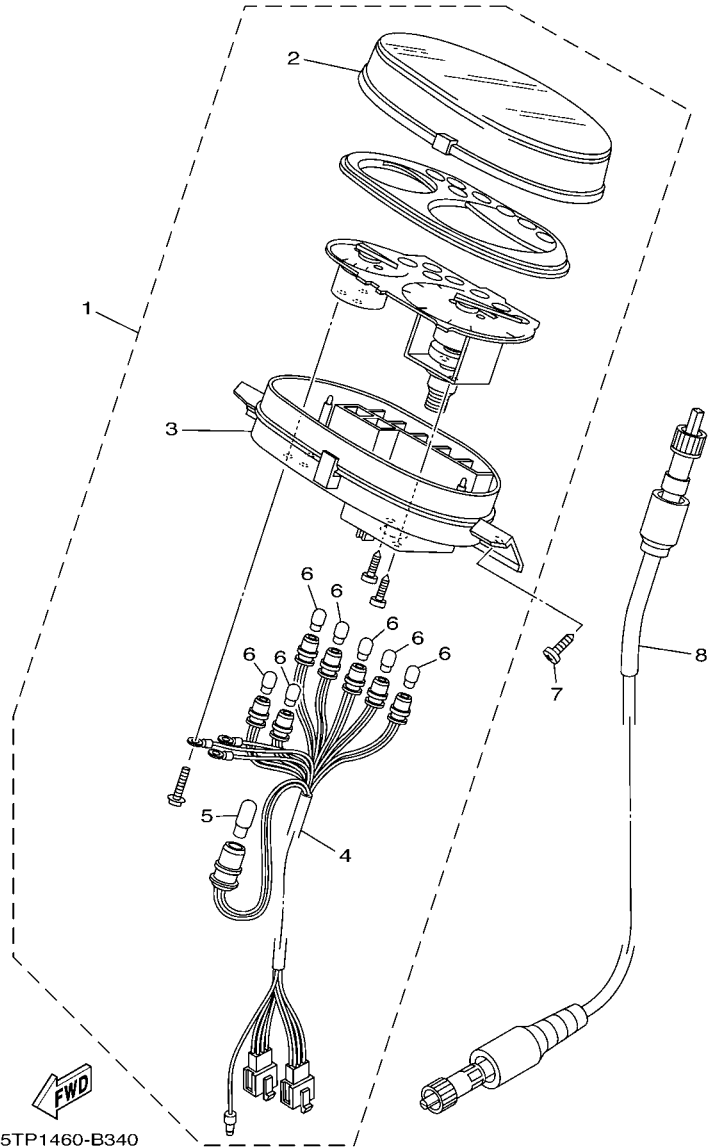
REF. NO.	PART NO.	DESCRIPTION	5TP4	5TP5	REMARKS
42	5TP-F8391-80	GRAPHIC 1	1	1	UR FOR S3
	5TP-F8391-90	GRAPHIC 1	1	1	UR FOR YB
43	5TP-F8392-40	GRAPHIC 2	1	1	UR FOR YB
	5TP-F8392-50	GRAPHIC 2	1	1	UR FOR VRC1
	5TP-F8392-60	GRAPHIC 2	1	1	UR FOR DPBMC
	5TP-F8392-70	GRAPHIC 2	1	1	UR FOR RYC1
	5TP-F8392-80	GRAPHIC 2	1	1	UR FOR S3
	5TP-F8392-90	GRAPHIC 2	1	1	UR FOR YB
44	5TP-F8393-40	GRAPHIC 3	1	1	UR FOR YB
	5TP-F8393-50	GRAPHIC 3	1	1	UR FOR VRC1
	5TP-F8393-60	GRAPHIC 3	1	1	UR FOR DPBMC
	5TP-F8393-70	GRAPHIC 3	1	1	UR FOR RYC1
	5TP-F8393-80	GRAPHIC 3	1	1	UR FOR S3
	5TP-F8393-90	GRAPHIC 3	1	1	UR FOR YB
45	5TP-F8394-40	GRAPHIC 4	1	1	UR FOR YB
	5TP-F8394-50	GRAPHIC 4	1	1	UR FOR VRC1
	5TP-F8394-60	GRAPHIC 4	1	1	UR FOR DPBMC
	5TP-F8394-70	GRAPHIC 4	1	1	UR FOR RYC1
	5TP-F8394-80	GRAPHIC 4	1	1	UR FOR S3
	5TP-F8394-90	GRAPHIC 4	1	1	UR FOR YB

FIG. 32 GENERATOR

REF. NO.	PART NO.	DESCRIPTION	5TP4	5TP5				REMARKS
1	5TN-H1450-01	ROTOR ASSY	1					
	5TP-H1450-00	ROTOR ASSY		1				
2	5TN-H1410-00	STATOR ASSY	1					
	5TP-H1410-00	STATOR ASSY		1				
3	91317-06025	BOLT	3	3				
4	91317-06014	BOLT	2	2				
5	95707-12500	NUT, FLANGE	1	1				
6	90201-122H1	WASHER, PLATE	1	1				



5TN1431-B320



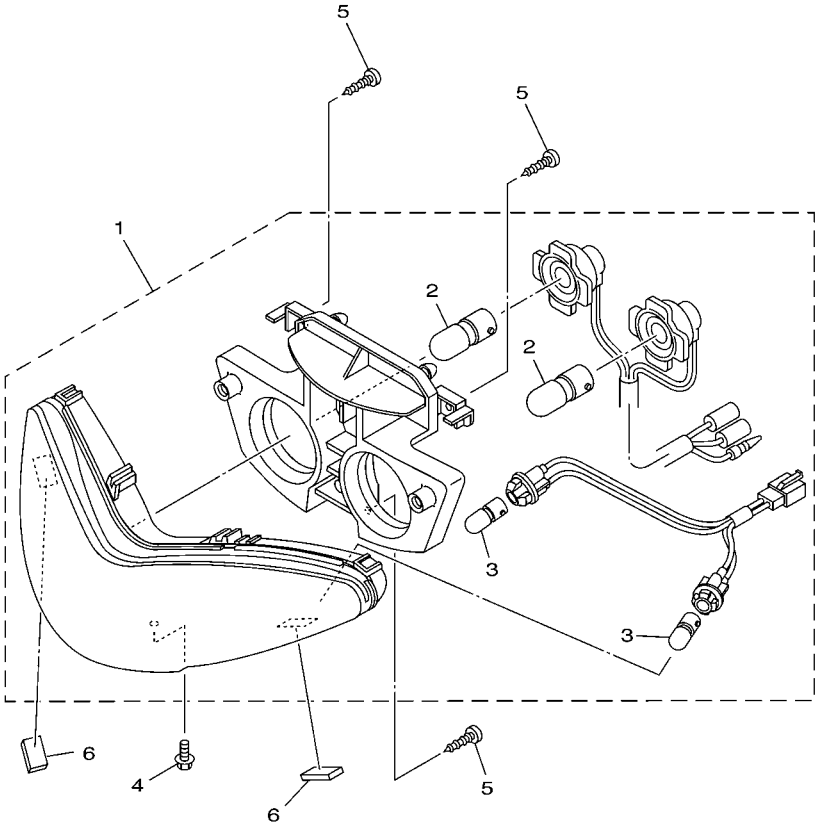
5TP1460-B340

FIG. 34 METER

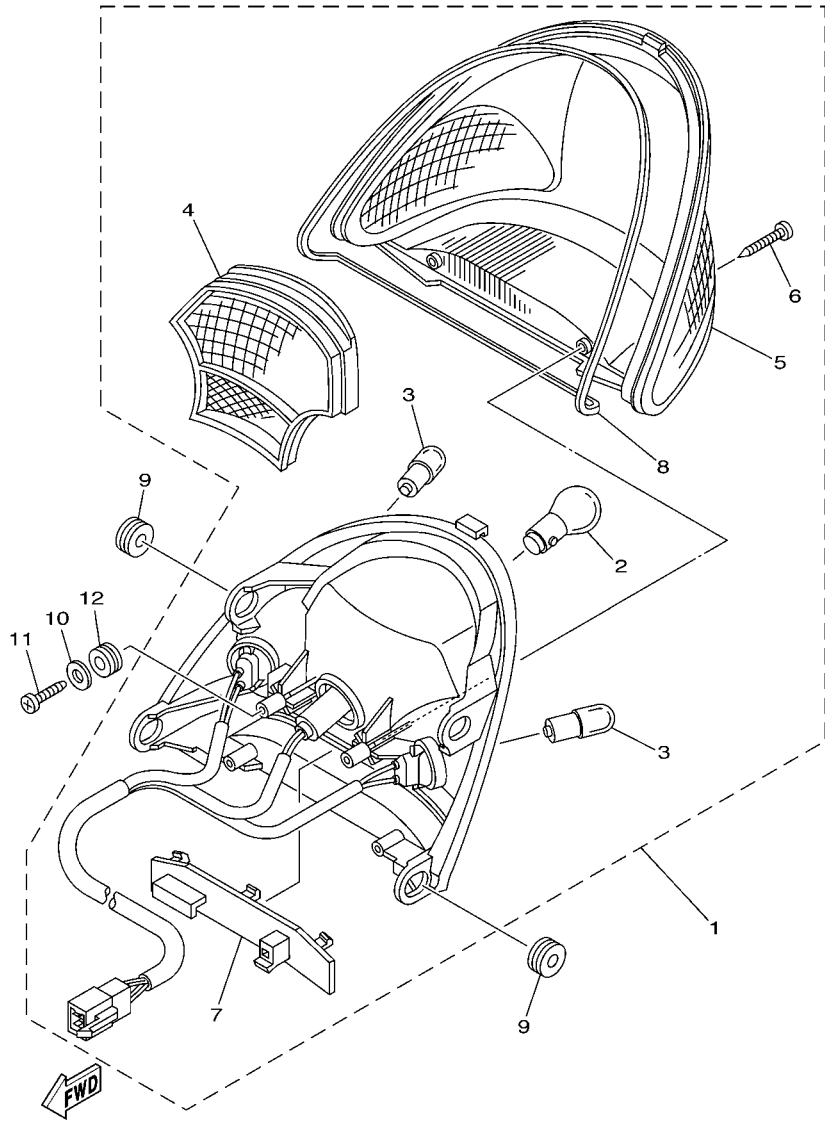
REF. NO.	PART NO.	DESCRIPTION	5TP4	5TP5		REMARKS
1	5TP-H3510-00	SPEEDOMETER ASSY	1	1		
2	5TP-H3511-00	.LENS, SPEEDOMETER	1	1		
3	5TP-H353F-00	.CASE, METER LOWER	1	1		
4	5TP-H3509-00	.SOCKET CORD ASSY	1	1		
5	42X-83517-00	.BULB (12V-3W)	1	1		
6	2GV-83517-00	.BULB (12V-1.7W T6.5)	7	7		
7	97707-50016	SCREW, TAPPING	2	2		
8	5TP-H3550-00	SPEEDOMETER CABLE ASSY	1	1		

FIG. 35 HEADLIGHT

REF. NO.	PART NO.	DESCRIPTION	5TP4	5TP5				REMARKS
1	5TP-H4300-00	HEADLIGHT ASSY	1	1				
2	5LL-H4314-00	.BULB, HEADLIGHT (12V 25/25W)	2	2				
3	5LL-H3311-00	.BULB, FLASHER (12V-10W)	2	2				
4	95807-06010	BOLT, FLANGE	1	1				
5	97707-50014	SCREW, TAPPING	3	3				
6	5LM-F6113-00	DAMPER	2	2				



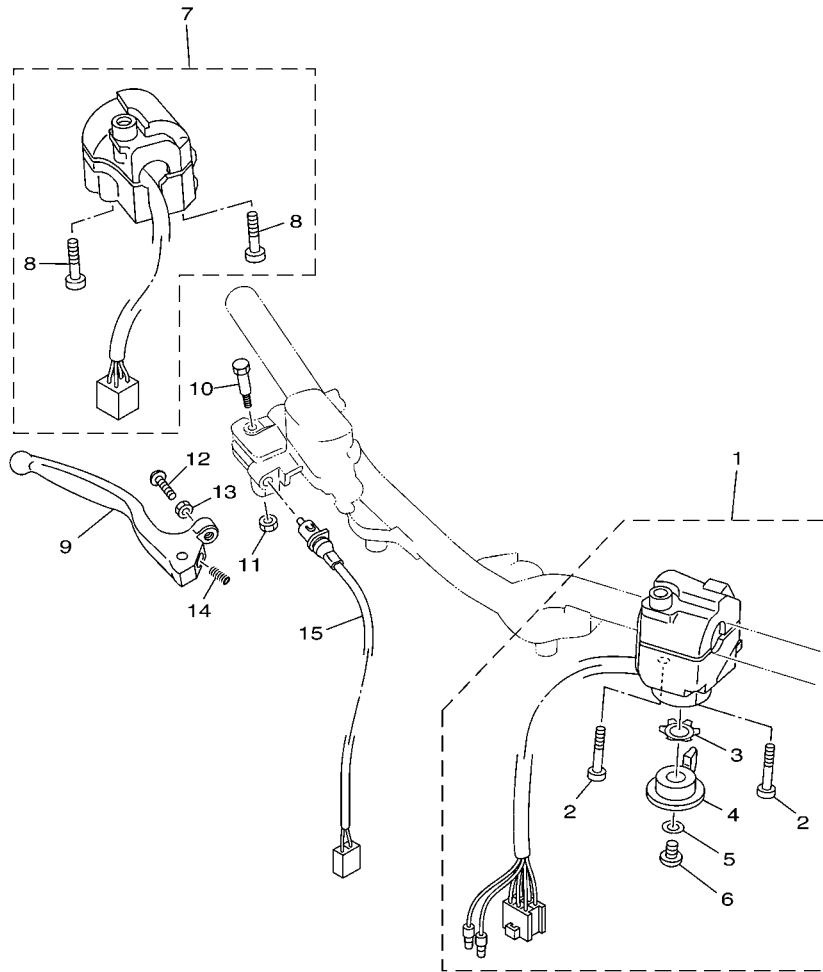
FWD
5TP1460-B350



5TN1431-B360

FIG. 36 TAILLIGHT

REF. NO.	PART NO.	DESCRIPTION	5TP4	5TP5			REMARKS
			1	1			
1	5TP-H4710-00	TAILLIGHT UNIT ASSY	1	1			
2	4AC-H4714-00	.BULB (12V-21/5W)	1	1			
3	5LM-H3311-00	.BULB, FLASHER (12V-10W)	2	2			
4	5LM-H4721-00	.LENS, TAILLIGHT	1	1			
5	5LM-H4743-00	.LENS, LICENCE LIGHT	1	1			
6	9770L-40620	.SCREW, TAPPING	2	2			
7	5LM-H4718-00	.GROMMET	1	1			
8	5LM-H4723-00	.GASKET, TAIL LENS	1	1			
9	90480-13005	GROMMET	4	4			
10	90201-06071	WASHER, PLATE	2	2			
11	97707-50014	SCREW, TAPPING	2	2			
12	90480-14808	GROMMET	2	2			



5TP1460-B370

FIG. 37 HANDLE SWITCH & LEVER

REF. NO.	PART NO.	DESCRIPTION	5TP4	5TP5	REMARKS
1	4ST-H3973-01	SWITCH, HANDLE 3	1	1	
2	98506-05035	.SCREW, PAN HEAD	2	2	
3	90209-10131	.WASHER	1	1	
4	4ST-H3941-00	.LEVER, STARTER	1	1	
5	92901-06200	.WASHER, PLAIN	1	1	
6	98506-06008	.SCREW, PAN HEAD	1	1	
7	5TP-H3975-00	SWITCH, HANDLE 2	1	1	
8	9850M-05040	.SCREW, PAN HEAD	2	2	
9	5LM-H3922-00	LEVER 2	1	1	
10	90109-06577	BOLT	1	1	
11	95607-06100	NUT, U	1	1	
12	90149-06131	SCREW	1	1	
13	90170-06010	NUT	1	1	
14	90501-10312	SPRING, COMPRESSION	1	1	
15	4US-H3980-00	FRONT STOP SWITCH ASSY	1	1	

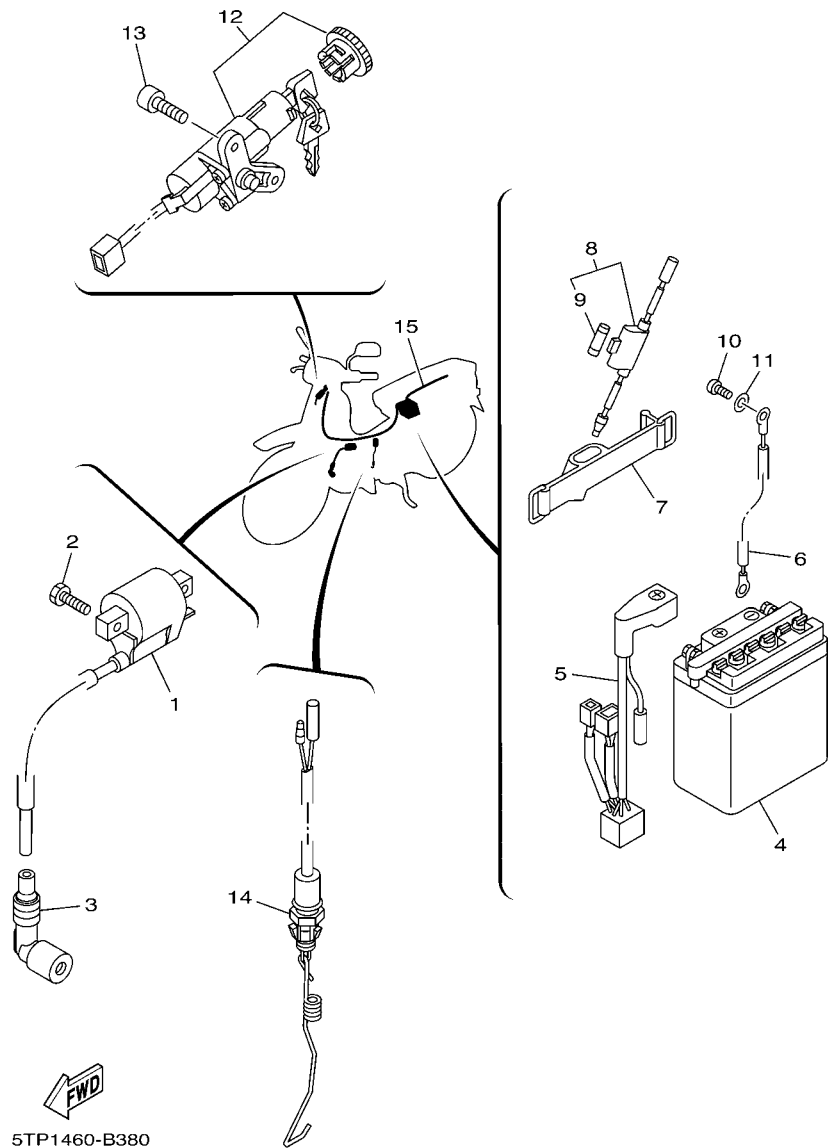


FIG. 38 ELECTRICAL 1

REF. NO.	PART NO.	DESCRIPTION	5TP4	5TP5			REMARKS
1	5TN-H2310-00	IGNITION COIL ASSY	1				
	5TP-H2310-00	IGNITION COIL ASSY		1			
2	97007-06016	BOLT	2	2			
3	5TP-H2370-00	PLUG CAP ASSY	1	1			
4	3AY-H2110-00	BATTERY ASSY (YB5L-B 12V-5AH)	1	1			UR YUASA
	3AY-H2110-10	BATTERY ASSY (GM5Z-3B)	1	1			UR
5	5TP-H2115-00	WIRE, PLUS LEAD	1	1			
6	5TP-H2116-00	WIRE, MINUS LEAD	1	1			
7	5TP-H2131-00	BAND, BATTERY	1	1			
8	5TN-H2150-00	FUSE HOLDER ASSY	1	1			
9	27V-82151-00	.FUSE (7A)	1	1			
10	98507-06010	SCREW, PAN HEAD	1	1			
11	92907-06600	WASHER, PLATE	1	1			
12	5TP-H2501-00	MAIN SWITCH STEERING LOCK	1	1			
13	91317-06012	BOLT	2	2			
14	5TN-H2530-00	STOP SWITCH ASSY	1	1			
15	5TP-H2590-00	WIRE HARNESS ASSY	1	1			

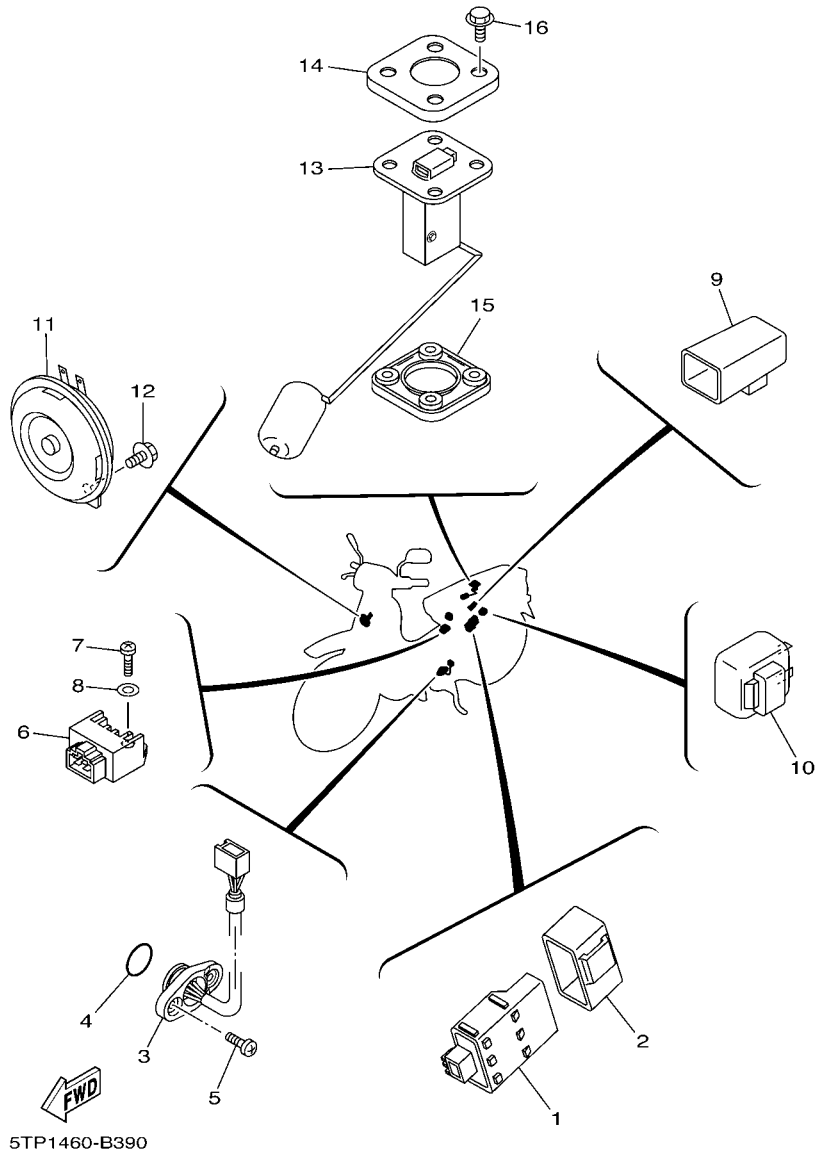


FIG. 39 ELECTRICAL 2

REF. NO.	PART NO.	DESCRIPTION	5TP4	5TP5	REMARKS
1	5TF-H5540-00	C.D.I. UNIT ASSY	1	1	
2	5BP-H5546-00	BAND	1	1	
3	5TN-H2540-00	NEUTRAL SWITCH ASSY	1	1	
4	93210-22801	O-RING	1		
	93210-228G1	O-RING		1	
5	98507-05010	SCREW, PAN HEAD	2	2	
6	5TP-H1960-00	RECTIFIER & REGULATOR ASSY	1	1	
7	98507-06012	SCREW, PAN HEAD	1	1	
8	92907-06600	WASHER, PLATE	1	1	
9	5TN-H1940-00	STARTER RELAY ASSY	1	1	
10	5TF-H3350-00	FLASHER RELAY ASSY	1	1	
11	5TP-H3371-00	HORN	1	1	
12	95807-06010	BOLT, FLANGE	1	1	
13	5LM-H5752-00	SENDER UNIT ASSY, FUEL METER	1	1	
14	5ER-H5757-00	RETAINER	1	1	
15	4US-H5753-00	GASKET, SENDER UNIT	1	1	
16	90119-05071	BOLT, WITH WASHER	4	4	

NUMERICAL INDEX

PART NO.	REF. NO.	PART NO.	REF. NO.	PART NO.	REF. NO.	PART NO.	REF. NO.	PART NO.	REF. NO.	PART NO.	REF. NO.
321-04G10-00	13 - 4	5TL-2341E-00	21 - 2	5TN-E1651-02	2 - 4	5TP-E4755-00	8 - 5	5TN-E6321-00	13 - 16	5TN-E8337-00	16 - 15
4ST-11134-11	1 - 2	5TL-2341E-10	21 - 5	5HV-E1681-00	2 - 2	5LM-E4766-00	8 - 12	5TN-E6324-00	13 - 15	5TN-E8511-00	15 - 10
5TP-12114-00	3 - 4	5TN-24423-00	7 - 20	5LM-E1681-00	2 - 2	5TP-E479X-00-33	8 - 4	5HV-E6346-00	9 - 2	5TP-E8511-00	15 - 10
5TN-12117-00	3 - 6	3YR-25852-00	29 - 7	5TN-E2111-00	3 - 1	5TN-E5113-00	10 - 11	5TN-E6350-00	13 - 21	5TN-E8512-00	15 - 11
1WG-12118-00	3 - 5	3YR-25854-00	29 - 6	5TN-E2114-00	3 - 4	5TN-E5150-00	9 - 1	5TN-E6351-00	13 - 17	5TP-E8512-00	15 - 11
22F-12151-00	3 - 8	3YK-25867-00	29 - 9	5ER-E2119-00	3 - 3	5TP-E5150-00	9 - 1	4YS-E6356-00	13 - 27	5TN-E8531-00	15 - 8
22F-12159-00	3 - 9	36Y-2589H-00	29 - 8	5TN-E2119-00	3 - 3	5TN-E5155-00	9 - 8	5HV-E6357-00	13 - 26	5TP-E8531-00	15 - 8
4ST-12210-00	4 - 13	5JW-25914-00	26 - 6	5TN-E2121-00	3 - 2	4YS-E5316-00	9 - 5	5LM-E6357-00	13 - 26	5TN-E8540-00	15 - 1
4ST-12216-00	4 - 16	4TT-25919-00	26 - 9	5TN-E2126-00	3 - 7	4ST-E5362-00	10 - 22	5TN-E6371-00	13 - 14	5TP-E8540-00	15 - 1
4ST-12223-00	4 - 15	4TT-25937-00	26 - 7	5VV-E2151-00	3 - 8	4YS-E5362-00	10 - 22	5LM-E6512-00	13 - 6	4TT-E8542-00	15 - 5
4ST-12228-00	4 - 14	4XV-27424-00	8 - 19	4ST-E2156-00	3 - 11	4ST-E5371-00	9 - 3	5WT-E6512-00	13 - 6	5TN-E8545-00	14 - 20
5TP-13451-00	5 - 10	4ST-81801-00	33 - 2	4YS-E2156-00	3 - 11	4YS-E5371-00	9 - 3	5WT-E6586-00	13 - 7	5TN-E8561-00	14 - 19
5TN-13595-00	6 - 2	4ST-81828-00	33 - 6	5TP-E2170-00	4 - 1	5TP-E5411-00	10 - 1	5TN-E6611-20	13 - 2	5TN-E8699-00	16 - 12
5TN-14103-00	7 - 22	4ST-8182L-00	33 - 3	5TN-E2170-10	4 - 1	5TP-E5411-10	10 - 1	5TN-E6611-30	13 - 2	5TP-E8699-00	16 - 12
4GL-14104-00	7 - 21	4ST-81861-00	33 - 4	5TN-E2176-00	4 - 6	5TP-E5418-00-35	10 - 12	5TN-E6620-01	13 - 3	5TP-F1110-00-33	17 - 1
5TN-1410A-00	7 - 17	27V-82151-00	38 - 9	5TN-E2210-00	4 - 13	5LM-E5421-00	10 - 17	5TN-E6620-10	13 - 3	5TP-F117R-00	17 - 7
5TN-14112-00	7 - 5	2GV-83517-00	34 - 6	4ST-E2213-00	4 - 17	5TP-E5421-00	10 - 17	5LM-F1398-10	13 - 4	5LM-F1398-00	24 - 24
5TN-14131-00	7 - 4	42X-83517-00	34 - 5	5WT-E2213-00	4 - 17	5LM-E542A-00	10 - 27	5TN-E7121-00	14 - 6	4ST-F139R-00	18 - 8
5TN-14141-18	7 - 15	5TP-E1111-10	1 - 1	5TN-E2231-10	4 - 10	5LM-E542A-00	10 - 27	5TP-E7121-00	14 - 6	5TP-F139R-00	17 - 5
2MM-14142-17	7 - 12	5TP-E1111-20	1 - 1	5TN-E2241-10	4 - 11	5LM-E5436-00	10 - 25	5TN-E7131-00	14 - 2	5TP-F139X-00	17 - 6
18A-14143-21	7 - 13	4YS-E111F-00	4 - 4	5TN-E3104-00	5 - 1	5LN-E5436-00	10 - 25	5TP-E7131-00	14 - 2	5TP-F1511-00-33	18 - 1
5TN-14147-00	7 - 7	5TN-E1134-00	1 - 2	5TP-E3104-00	5 - 1	5WT-E5451-00	10 - 2	5TP-E7141-00	14 - 3	5TP-F1511-00-P1	18 - 1
5TN-14148-00	7 - 14	5TN-E1166-00	9 - 6	5TN-E3324-00	5 - 9	4ST-E5451-01	10 - 2	5TN-E7141-01	14 - 3	5TP-F1511-00-P2	18 - 1
5TN-14150-00	7 - 28	5TN-E1181-00	1 - 14	5TP-E3325-00	5 - 2	5WT-E5461-00	10 - 18	5TN-E7211-00	14 - 15	5TP-F1511-00-P3	18 - 1
802-14161-00	7 - 2	4ST-E1185-00	1 - 5	5TN-E3325-01	5 - 2	4ST-E5461-11	10 - 18	5TP-E7211-00	14 - 15	5TP-F1511-00-P4	18 - 1
3RW-14174-00	7 - 18	4YS-E1185-00	1 - 5	5TN-E3329-00	5 - 4	5LM-E5492-00	10 - 16	5TN-E7231-00	14 - 14	4ST-F1518-00	18 - 6
353-14186-00	7 - 9	4ST-E1186-00	1 - 8	4ST-E3411-00	5 - 8	5TN-E5512-00	12 - 1	5TN-E7231-00	14 - 14	5LM-F160E-00	18 - 16
5LW-14191-00	7 - 25	4YS-E1186-00	1 - 8	4YS-E3411-00	5 - 8	5WV-E5512-00	12 - 1	5TP-E7241-00	14 - 13	5LL-F1611-00	18 - 7
32N-14196-00	7 - 26	4YS-E1198-00	5 - 7	5TN-E3451-00	5 - 10	5TN-E5524-00	12 - 3	5TN-E7241-01	14 - 13	5TP-F1642-00	18 - 11
4NM-14198-00	7 - 3	5TN-E1310-00	1 - 17	5TF-E3586-00	6 - 1	5HV-E5580-00	12 - 5	5TN-E7402-00	14 - 10	5TP-F1679-00	17 - 8
5TN-14216-00	7 - 27	5TP-E1310-00	1 - 17	5TN-E3595-00	6 - 2	5HV-E5583-00	12 - 6	5TP-E7402-00	14 - 10	5LL-F1711-00	19 - 1
4GL-14239-00	7 - 8	5LN-E1351-00	1 - 19	5TN-E4101-00	7 - 1	5LM-E5620-00	11 - 13	4ST-E7411-00	14 - 1	5LL-F171E-00-33	19 - 12
5TN-14714-00	8 - 14	4ST-E1351-02	1 - 19	5TP-E4197-00	7 - 29	4YS-E5641-00	11 - 2	4YS-E7411-00	14 - 1	5LL-F171E-00-P0	19 - 12
4BD-14766-00	8 - 12	5TP-E1422-00	2 - 5	5TP-E4411-00	6 - 6	5LM-E5641-00	11 - 2	5HV-E8101-00	16 - 1	5LL-F171E-00-P4	19 - 12
5TF-14766-00	8 - 9	5TN-E1422-10	2 - 5	5TP-E4412-00	6 - 8	3NA-E5644-00	11 - 6	5LM-E8111-00	16 - 26	5LL-F171E-00-P8	19 - 12
5TN-1490J-00	7 - 6	5ER-E1445-00	2 - 6	5TP-E4423-00	6 - 12	5TN-E8120-00	12 - 4	5TN-E8120-00	15 - 7	5LL-F171E-00-PB	19 - 12
5TN-14940-00	7 - 19	5TN-E1603-00	2 - 12	5TP-E443E-00	6 - 14	4WH-E5644-00	11 - 6	5TN-E8140-00	16 - 11	5LL-F1721-01	19 - 4
5DV-14985-00	7 - 16	5TP-E1603-00	2 - 12	5TP-E4451-00	6 - 7			5WT-E8152-00	16 - 5	5LL-F1731-10-33	19 - 6
3AY-15580-01	12 - 5	5TN-E1605-00	2 - 12	5TP-E4452-00	6 - 11	5LM-E5660-00	11 - 1	5HV-E8172-00	16 - 3	5LL-F1731-10-P0	19 - 6
3AY-15583-00	12 - 6	5TP-E1605-00	2 - 12	5TP-E4453-00	6 - 9	5LN-E5660-00	11 - 1	5HV-E8173-00	16 - 21	5LL-F1731-10-P4	19 - 6
2JG-16356-00	13 - 27	5TN-E1607-00	2 - 12	5TP-E4457-00	6 - 10	5HV-E5664-00	11 - 10	5LM-E8173-00	16 - 21	5LL-F1731-10-P8	19 - 6
4GL-18186-00	16 - 23	5TP-E1607-00	2 - 12	5TP-E4611-00	8 - 1	5LM-E5664-00	11 - 10	5HV-E8179-00	16 - 2	5LL-F1731-10-PB	19 - 6
4BA-18542-00	15 - 5	5TN-E1631-00	2 - 9	5TP-E4612-00	8 - 2	4NR-E5671-00	11 - 4	5WT-E817A-00	16 - 22	5TP-F173E-40	19 - 13
5TP-18545-00	14 - 20	4YS-E1633-00	2 - 10	5WT-E4613-00	8 - 25	4WH-E5671-00	11 - 4	4YS-E8181-00	16 - 4	5TP-F173E-50	19 - 13
156-23411-00	22 - 17	5LM-E1633-00	2 - 10	5TP-E4711-01-93	8 - 3	4ST-E5676-00	11 - 8	5TN-E8185-00	15 - 2	5TP-F173E-60	19 - 13
22F-23411-01	21 - 4	5TN-E1636-00	2 - 9	5TP-E4718-00	8 - 7	4YS-E5676-00	11 - 8	4YS-E8186-00	16 - 23	5TP-F173E-70	19 - 13
156-23412-00	21 - 1	5TN-E1638-00	2 - 9	5TP-E4728-00	8 - 10	5TN-E6135-00	13 - 24	5TN-E818A-00	15 - 12	5TP-F173E-80	19 - 13
22F-23412-01	21 - 3	5TN-E1651-01	2 - 4	5TP-E4747-00	8 - 19	5TN-E6150-10	13 - 13	5TP-E818A-00	15 - 12	5TP-F173E-90	19 - 13

NUMERICAL INDEX

PART NO.	REF. NO.	PART NO.	REF. NO.	PART NO.	REF. NO.	PART NO.	REF. NO.	PART NO.	REF. NO.	PART NO.	REF. NO.
5TP-F173F-40	19 - 15	5LM-F3144-00	22 - 14	3AY-F5181-01	25 - 11	5TP-F7111-00-33	30 - 1	5TP-F8332-00	31 - 3	5TP-H1450-00	32 - 1
5TP-F173F-50	19 - 15	3AY-F3145-00	22 - 3	5TN-F5190-00	25 - 14	3XA-F7112-01	30 - 2	5TP-F8368-40	31 - 38	5TN-H1450-01	32 - 1
5TP-F173F-60	19 - 15		22 - 6	23T-F5304-01	27 - 23	3AY-F7115-01	30 - 3	5TP-F8368-50	31 - 38	5TN-H1800-00	33 - 1
5TP-F173F-70	19 - 15	2JG-F3147-00	22 - 20	23T-F5311-01-35	27 - 1	5TP-F7211-00-91	30 - 7	5TP-F8368-60	31 - 38	5TP-H1800-00	33 - 1
5TP-F173F-80	19 - 15	5TP-F3152-00	22 - 11	4ST-F5316-00	27 - 2	5TP-F7231-00	30 - 10	5TP-F8368-70	31 - 38	5TN-H183G-00	33 - 5
5TP-F173F-90	19 - 15	1T8-F3156-00	22 - 4	23T-F5321-02-35	27 - 7	3XA-F7235-00	30 - 9	5TP-F8368-80	31 - 38	5TP-H183G-00	33 - 5
5LL-F1741-10-33	19 - 9		22 - 7	23T-F5330-00	27 - 8	5TP-F7311-00-33	30 - 16	5TP-F8368-90	31 - 38	5TN-H1940-00	39 - 9
5LL-F1741-10-P0	19 - 9	2JG-F3157-00	22 - 10	4ST-F533A-00	27 - 14	5TP-F7314-00	30 - 29	5ER-F8371-00	31 - 31	5TP-H1960-00	39 - 6
5LL-F1741-10-P4	19 - 9	509-F3158-L0	22 - 12	3Y6-F5351-00	27 - 10		30 - 37	5LM-F8371-00	28 - 7	3AY-H2110-00	38 - 4
5LL-F1741-10-P8	19 - 9	5TP-F3170-00	22 - 9	3AY-F5355-00	27 - 11	5TP-F7411-00-33	30 - 21		31 - 30	3AY-H2110-10	38 - 4
5LL-F1741-10-PB	19 - 9	278-F3181-50	22 - 13	23T-F5364-00	27 - 6	5LM-F7413-00	30 - 23	5TP-F8385-00-33	31 - 8	5TP-H2115-00	38 - 5
5TP-F174G-00	19 - 14	5TP-F331E-00	21 - 27	37J-F5366-02	27 - 15	5TP-F7424-00	30 - 40	5TP-F8385-00-P0	31 - 8	5TP-H2116-00	38 - 6
5TP-F174G-10	19 - 14	5LM-F3340-00	22 - 16	3AY-F5371-00-91	27 - 39	5TP-F7430-00	30 - 24	5TP-F8385-00-P1	31 - 8	4ST-H2131-00	18 - 20
5TP-F174G-20	19 - 14	5LM-F3346-00	22 - 18	3XA-F5381-01	27 - 28	5TP-F7433-00	30 - 25	5TP-F8385-00-P2	31 - 8	5TP-H2131-00	38 - 7
5TP-F174G-30	19 - 14	5TP-F3391-00-33	21 - 13	5LM-F5383-00	27 - 31	5TP-F7440-00	30 - 32	5TP-F8385-00-P3	31 - 8	5TN-H2150-00	38 - 8
5TP-F174G-40	19 - 14	5TP-F3391-00-P0	21 - 13	5TP-F5389-00	27 - 33	5TP-F7444-00	30 - 33	5TP-F8391-40	31 - 42	5TN-H2310-00	38 - 1
5TP-F174G-50	19 - 14	5TP-F3391-00-P3	21 - 13	5TP-F539F-00	27 - 34	5LM-F7445-00	30 - 26	5TP-F8391-50	31 - 42	5TP-H2310-00	38 - 1
5TP-F174H-00	19 - 16	5TP-F3391-00-P4	21 - 13	5LM-F5412-00	27 - 20		30 - 34	5TP-F8391-60	31 - 42	5TP-H2370-00	38 - 3
5TP-F174H-10	19 - 16	5TP-F3391-00-P5	21 - 13	5TP-F5436-20	27 - 19	5LM-F8100-00	17 - 11	5TP-F8391-70	31 - 42	5TP-H2501-00	38 - 12
5TP-F174H-20	19 - 16	5LM-F3415-00	21 - 8	4US-F580U-00	26 - 3	5LM-F8100-10	17 - 11	5TP-F8391-80	31 - 42	5TN-H2530-00	38 - 14
5TP-F174H-30	19 - 16	3AY-F3416-00	21 - 6	5TP-F582U-00	26 - 1	5TP-F8311-00-33	31 - 1	5TP-F8391-90	31 - 42	5TN-H2540-00	39 - 3
5TP-F174H-40	19 - 16	5TP-F3461-00-92	21 - 18	5LM-F583T-00	29 - 4	5TP-F8311-00-P0	31 - 1	5TP-F8392-40	31 - 43	5TP-H2590-00	38 - 15
5TP-F174H-50	19 - 16	5TP-F3472-00	21 - 29	5TN-F5872-00	29 - 1	5TP-F8311-00-P1	31 - 1	5TP-F8392-50	31 - 43	5LL-H3311-00	35 - 3
5TP-F177G-00	18 - 12	5LM-F4110-00-33	23 - 1	5TP-F5875-00	21 - 25	5TP-F8311-00-P2	31 - 1	5TP-F8392-60	31 - 43	5LM-H3311-00	36 - 3
5TP-F194J-00	30 - 42	5TP-F4141-00	23 - 18	5TP-F5876-00	21 - 21	5TP-F8311-00-P3	31 - 1	5TP-F8392-70	31 - 43	5TF-H3350-00	39 - 10
5TP-F2100-00	20 - 1	5TF-F4311-00	23 - 9	5TP-F5886-00	21 - 24	5TP-F8312-00-33	31 - 2	5TP-F8392-80	31 - 43	5TP-H3371-00	39 - 11
3HB-F2123-00	20 - 2	5TP-F4312-00	23 - 10	5TP-F5887-00	21 - 22	5TP-F8312-00-P0	31 - 2	5TP-F8392-90	31 - 43	5TP-H3509-00	34 - 4
5LM-F2141-00	20 - 4	5TF-F4313-00	23 - 11	3AY-F6113-00	28 - 4	5TP-F8312-00-P1	31 - 2	5TP-F8393-40	31 - 44	5TP-H3510-00	34 - 1
5TP-F2151-00	20 - 3	5TN-F4500-00	23 - 14	5LM-F6113-00	35 - 6	5TP-F8312-00-P2	31 - 2	5TP-F8393-50	31 - 44	5TP-H3511-00	34 - 2
5TP-F2210-00	20 - 10	4YS-F4514-00	23 - 2	5LL-F6143-00-33	28 - 6	5TP-F8312-00-P3	31 - 2	5TP-F8393-60	31 - 44	5TP-H353F-00	34 - 3
5TP-F2311-00	20 - 8	4YY-F4610-00	23 - 16	5LL-F6143-00-P5	28 - 6	5TP-F831Y-40	31 - 39	5TP-F8393-70	31 - 44	5TP-H3550-00	34 - 8
5TP-F3100-00	22 - 1	4YY-F4612-00	23 - 17	5LL-F6143-00-P8	28 - 6	5TP-F831Y-50	31 - 39	5TP-F8393-80	31 - 44	5LM-H3922-00	37 - 9
5TP-F3110-00	22 - 8	5LM-F470F-00	24 - 2	5LL-F6143-00-PC	28 - 6	5TP-F831Y-60	31 - 39	5TP-F8393-90	31 - 44	3AY-H3936-10	28 - 23
5LM-F3111-00	22 - 19	5TP-F4723-00	24 - 3	5LL-F6143-00-PE	28 - 6	5TP-F831Y-70	31 - 39	5TP-F8394-40	31 - 45	4ST-H3941-00	37 - 4
5TP-F3122-00-33	21 - 9	5LM-F4726-00	24 - 6	5LL-F6145-00	28 - 10	5TP-F831Y-80	31 - 39	5TP-F8394-50	31 - 45	4ST-H3973-01	37 - 1
5TP-F3122-00-P0	21 - 9	5LM-F4728-00	24 - 13	4US-F6199-00	28 - 11	5TP-F831Y-90	31 - 39	5TP-F8394-60	31 - 45	5TP-H3975-00	37 - 7
5TP-F3122-00-P1	21 - 9	5TP-F4730-00	24 - 1	5LM-F6210-00-90	28 - 1	5TP-F832B-40	31 - 40	5TP-F8394-70	31 - 45	4US-H3980-00	37 - 15
5TP-F3122-00-P2	21 - 9	5BP-F4741-00	24 - 4	3XA-F622F-00	19 - 3	5TP-F832B-50	31 - 40	5TP-F8394-80	31 - 45	5TP-H4300-00	35 - 1
5TP-F3122-00-P3	21 - 9	5LM-F4741-00	24 - 7	4NS-F6240-02	28 - 12	5TP-F832B-60	31 - 40	5TP-F8394-90	31 - 45	5LL-H4314-00	35 - 2
5TP-F3126-00	22 - 5	5LM-F4741-10	30 - 44	4NS-F6241-00	28 - 16	5TP-F832B-70	31 - 40	5TP-F8395-00-33	31 - 19	5TP-H454E-00	21 - 30
5TP-F3132-00-33	21 - 10	5LM-F4747-00	24 - 5	4NS-F6242-00	28 - 13	5TP-F832B-80	31 - 40	5TP-F8395-00-P0	31 - 19	5TP-H4710-00	36 - 1
5TP-F3132-00-P0	21 - 10	5LM-F4763-00	24 - 8	5T4-F6243-00	28 - 14	5TP-F832B-90	31 - 40	5TP-F8395-00-P1	31 - 19	4AC-H4714-00	36 - 2
5TP-F3132-00-P1	21 - 10	5LM-F4773-01-35	24 - 22	5LM-F6246-00	28 - 21	5TP-F832C-40	31 - 41	5TP-F8395-00-P2	31 - 19	5LM-H4718-00	36 - 7
5TP-F3132-00-P2	21 - 10	5LM-F4780-00	24 - 17	3XA-F6280-10	28 - 17	5TP-F832C-50	31 - 41	5TP-F8395-00-P3	31 - 19	5LM-H4721-00	36 - 4
5TP-F3132-00-P3	21 - 10	5TP-F4796-00	24 - 18	3XA-F6290-10	28 - 18	5TP-F832C-60	31 - 41	5TP-F842M-00	31 - 32	5LM-H4723-00	36 - 8
5TP-F3136-00	22 - 2	5LM-F4799-00	24 - 20	5TP-F6311-00	28 - 19	5TP-F832C-70	31 - 41	5LL-H472N-00	31 - 36	5LM-H4743-00	36 - 5
5LM-F313B-00	21 - 15	4NS-F5104-00	25 - 5	5TP-F6331-00	28 - 22	5TP-F832C-80	31 - 41	5TN-H1410-00	32 - 2	5TF-H5540-00	39 - 1
5TP-F3141-00	22 - 15	5TP-F5111-01-35	25 - 1	4ST-F6393-00	28 - 20	5TP-F832C-90	31 - 41	5TP-H1410-00	32 - 2	5BP-H5546-00	39 - 2

NUMERICAL INDEX

PART NO.	REF. NO.	PART NO.	REF. NO.	PART NO.	REF. NO.	PART NO.	REF. NO.	PART NO.	REF. NO.	PART NO.	REF. NO.
5LM-H5752-00	39 - 13	90179-25033	21 - 7	90201-178D3	16 - 13	90467-07029	7 - 30	91317-06025	32 - 3	93210-568G8	1 - 18
4US-H5753-00	39 - 15	90183-05807	19 - 7	90201-178J5	13 - 20	90467-09006	23 - 13	9131M-06012	4 - 5	93210-628B6	1 - 6
5ER-H5757-00	39 - 14		19 - 10	90201-20266	14 - 4	90467-10008	23 - 12		12 - 9	93210-638G6	1 - 6
3RW-W0041-02	29 - 5		28 - 8		14 - 11	90467-12800	6 - 15	91401-20012	27 - 43	93306-001Y7	14 - 9
4US-W0045-00	26 - 8		31 - 9	90201-20276	16 - 9	90467-13064	6 - 20		30 - 14	93306-002X2	4 - 3
4ES-W0047-10	26 - 5		31 - 20	90201-208G4	16 - 9		9 - 7	91401-25015	30 - 28	93306-002Y9	4 - 3
51L-W0048-00	26 - 10	90185-10091	25 - 12	90201-261L1	28 - 15	90468-23194	11 - 3		30 - 36	93306-004XC	27 - 18
4TT-W0057-00	26 - 4	90185-10808	21 - 20	90206-19027	11 - 5	90480-01558	17 - 10	92017-06016	15 - 13	93306-202YW	14 - 22
5TP-WE140-01	2 - 1	90185-12046	27 - 29	90209-10131	37 - 3		28 - 5	92901-06200	37 - 5	93306-203YR	14 - 8
5TN-WE140-11	2 - 1	90201-06071	24 - 15	90240-08145	30 - 27	90480-01800	31 - 14	92903-10200	26 - 12	93306-204YC	14 - 23
90101-06278	27 - 12		36 - 10		30 - 35		31 - 25	92907-04100	7 - 11	93306-205YG	2 - 7
90101-08590	4 - 8	90201-060A3	24 - 9	90249-12008	30 - 12	90480-12314	18 - 2		7 - 24	93306-205YK	2 - 7
90101-08672	27 - 21	90201-062A8	27 - 37	90280-03017	2 - 8	90480-13005	36 - 9	92907-06600	6 - 19	93306-300X9	25 - 4
90105-10036	21 - 19	90201-064K6	23 - 7	90340-12806	5 - 6	90480-13018	31 - 5		18 - 5	93306-301YP	27 - 4
90105-10778	20 - 14	90201-06557	8 - 13	90340-12808	5 - 6	90480-13568	10 - 14		30 - 15	93306-301YR	27 - 3
90109-06577	37 - 10		31 - 6	90340-14805	10 - 7	90480-13864	31 - 17		38 - 11	93310-526Y5	2 - 3
90109-065E0	24 - 11		31 - 13	90340-32804	10 - 9		31 - 28		39 - 8	93340-210Y0	13 - 28
90109-08034	30 - 17		31 - 24	90387-062M9	21 - 17	90480-14808	36 - 12	92907-08200	1 - 11	93340-210Y3	13 - 28
90109-08183	27 - 40	90201-06828	31 - 15	90387-06681	21 - 12	90480-14872	24 - 14		27 - 41	93340-212Y2	16 - 17
90111-08815	26 - 2		31 - 26	90387-06803	6 - 17	90480-18418	31 - 10	92907-10200	8 - 22	93410-20038	14 - 5
90116-06804	1 - 4	90201-08326	4 - 7		18 - 3		31 - 21	92B17-06025	15 - 3		14 - 12
90116-08597	9 - 15		8 - 16	90387-06838	18 - 14	90480-18476	23 - 5	93101-10841	10 - 24		14 - 26
90116-08807	9 - 15	90201-08609	1 - 10	90387-06841	31 - 4	90501-02639	12 - 8	93101-10843	10 - 24	93410-20809	14 - 5
90119-05071	39 - 16		1 - 10	90387-06844	10 - 15	90501-04800	13 - 9	93102-12883	16 - 6		14 - 12
90119-05827	13 - 19	90201-08612	8 - 18	90387-06846	31 - 34	90501-050F1	13 - 22	93102-12891	16 - 6		14 - 26
90119-06044	18 - 9		28 - 3	90387-084N8	23 - 6	90501-06022	15 - 6	93102-15882	11 - 15	93430-12809	30 - 6
	18 - 13	90201-086P8	17 - 3	90387-08813	8 - 20	90501-06800	15 - 9	93102-15890	11 - 15	93440-10153	1 - 3
90119-06117	20 - 9		30 - 31	90387-09802	31 - 11	90501-10245	30 - 11	93102-20881	14 - 24	93450-14088	2 - 11
90149-06131	37 - 12		30 - 39		31 - 22	90501-10312	37 - 14	93102-20892	14 - 24	93604-10011	16 - 18
90149-10800	26 - 11	90201-08766	23 - 8	90387-10277	25 - 10	90501-125E9	16 - 19	93106-20816	25 - 3	93604-12037	15 - 4
90155-06007	5 - 5	90201-10118	29 - 3	90387-10810	30 - 41	90501-203G2	13 - 18	93106-26815	27 - 17	93606-10800	13 - 8
90159-06067	18 - 18	90201-101J1	25 - 13	90387-127Y0	27 - 16	90506-18288	27 - 9	93210-068E9	16 - 24	93608-43157	12 - 2
	31 - 35	90201-10669	8 - 24	90387-12823	27 - 32	90506-20804	30 - 8	93210-068F7	16 - 24	93608-50149	16 - 10
90159-06181	18 - 17	90201-106F2	20 - 13	90387-1503D	14 - 16	90506-20829	30 - 19	93210-10804	4 - 2	93610-10174	12 - 7
	21 - 16	90201-12019	13 - 10	90387-16803	13 - 1	90506-32800	30 - 4	93210-10805	4 - 2	93822-15069	14 - 25
	31 - 16	90201-120T5	27 - 30	90387-17004	13 - 23	90508-26016	11 - 9	93210-14899	10 - 8	94107-17803	25 - 6
	31 - 27	90201-12166	14 - 7	90387-17800	13 - 23	90508-29007	16 - 7	93210-148F8	10 - 8	94108-17803	27 - 24
	31 - 33	90201-12190	20 - 7	90387-27800	14 - 21	90560-10292	25 - 2	93210-198F0	10 - 23	94222-17804	25 - 7
90170-05302	3 - 10		20 - 12	90401-10159	29 - 2	90560-17384	13 - 12	93210-198F9	10 - 23	94227-17803	27 - 25
90170-06010	37 - 13	90201-122F8	20 - 6	90430-06014	4 - 18	91317-06012	4 - 5	93210-22801	39 - 4	94322-17858	25 - 8
90170-06184	27 - 36	90201-122H1	32 - 6	90430-06817	4 - 18		12 - 9	93210-228G1	39 - 4		27 - 26
90175-06013	30 - 13	90445-08816	16 - 20	90445-08816	18 - 15		38 - 13	93210-258G2	6 - 3	94414-17849	27 - 27
90176-08026	1 - 12	90201-127F4	16 - 16	90445-21848	30 - 20	91317-06014	32 - 4	93210-32803	10 - 10	94414-17888	25 - 9
90176-08805	1 - 12	90201-128C9	14 - 7	90445-22327	30 - 5	91317-06016	4 - 12	93210-328G3	10 - 10	94568-39104	27 - 38
90179-08639	27 - 22	90201-15700	11 - 12	90460-43053	6 - 16		4 - 19	93210-418G7	27 - 5	94568-79086	4 - 9
90179-12659	13 - 11		14 - 17	90462-10801	9 - 14	91317-06025	6 - 4	93210-44889	1 - 9	94700-00850	1 - 13
90179-12813	13 - 11	90201-167P7	13 - 5	90464-15195	28 - 24		6 - 5	93210-448G4	1 - 9	95027-06010	21 - 23
90179-14001	13 - 25	90201-177G4	16 - 13	90465-10833	9 - 13		29 - 10	93210-56801	1 - 18		21 - 26

NUMERICAL INDEX

PART NO.	REF. NO.	PART NO.	REF. NO.	PART NO.	REF. NO.	PART NO.	REF. NO.	PART NO.	REF. NO.	PART NO.	REF. NO.
95027-06016	21 - 11	97027-06020	16 - 27								
95027-06025	21 - 28		18 - 4								
95027-06090	1 - 16	97707-50012	31 - 18								
95027-08040	8 - 15		31 - 29								
9502L-06040	9 - 12	97707-50014	18 - 19								
	10 - 4		19 - 2								
	10 - 20		19 - 5								
9502L-06050	10 - 5		19 - 8								
	10 - 21		19 - 11								
9502L-06060	9 - 11		21 - 14								
9502L-06080	9 - 10		21 - 31								
	10 - 6		28 - 9								
95304-08700	27 - 42		31 - 37								
95307-06600	24 - 10		35 - 5								
	24 - 16		36 - 11								
	27 - 13	97707-50016	34 - 7								
	27 - 35	9770L-40620	36 - 6								
95307-08700	30 - 18	9770M-50030	6 - 13								
95307-10600	20 - 11	98506-05035	37 - 2								
95604-12200	20 - 5	98506-06008	37 - 6								
95607-06100	24 - 12	98507-04012	7 - 10								
	37 - 11	98507-04014	7 - 23								
95607-08200	17 - 4	98507-05010	39 - 5								
95707-06500	8 - 26	98507-06010	38 - 10								
	16 - 25	98507-06012	8 - 6								
95707-08500	23 - 4		39 - 7								
95707-10500	8 - 23	98507-06016	1 - 7								
95707-12500	32 - 5		24 - 21								
95807-06010	17 - 9	98507-06020	6 - 18								
	35 - 4	9850M-05040	37 - 8								
	39 - 12	98907-06020	31 - 12								
95807-06012	24 - 19		31 - 23								
95807-06014	23 - 15	98980-06012	8 - 8								
95807-06020	24 - 23		8 - 11								
95807-06025	10 - 13	99001-05600	5 - 3								
95807-08035	8 - 17	99009-12400	15 - 14								
95817-08025	30 - 30	99009-15400	11 - 11								
	30 - 38		14 - 18								
95817-08120	17 - 2	99009-17400	16 - 14								
95827-08016	10 - 26	99009-19400	11 - 7								
	30 - 22	99009-20400	16 - 8								
95827-10020	30 - 43	99241-00080	18 - 10								
95827-10045	8 - 21	99530-10114	1 - 15								
97007-06016	38 - 2		9 - 4								
97007-06020	23 - 3		9 - 9								
	31 - 7		10 - 3								
97007-08016	28 - 2		10 - 19								
97017-06025	11 - 14										